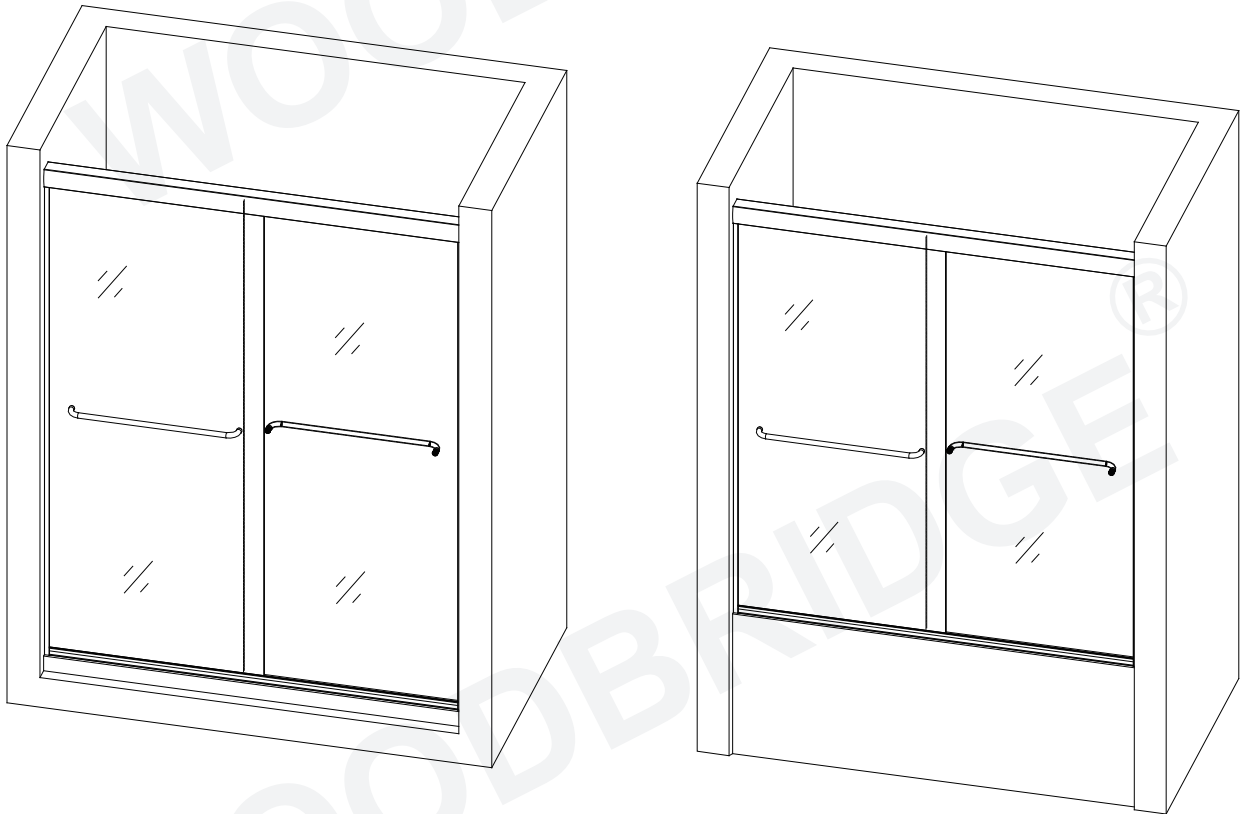


WOODBIDGE®



INSTALLATION INSTRUCTIONS

SHOWER DOORS • TUB DOORS

MODELS:

SHOWER DOORS: MSDE4872
MSDE6072

TUB DOORS: MSDE6062

Customer Service Phone: 562-774-2284. (Monday - Friday 9 AM - 5 PM Pacific Time)
Or Email: help.woodbridge@gmail.com

0100718 REV. 1

PREPARATION

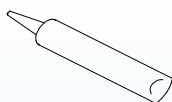
1. WE STRONGLY RECOMMEND THAT A LICENSED AND INSURED PROFESSIONAL CONTRACTOR TO INSTALL THIS PRODUCT INCLUDING THE ASSISTANCE OF A SECOND PERSON DURING INSTALLATION.
2. After opening all boxes and packages, read this introduction carefully. Check that all of the needed parts are included in the package by marking all the components on the "Detailed Diagram of Shower Door Components". Examine boxes and packages for shipping damage. If the unit has been damaged, has a finishing defect, or is missing parts, please contact our customer support department to be served immediately. Please note that Woodbridge will not replace any damaged products or missing parts free of charge after 5 business days or if the product has been installed. Feel free to contact Woodbridge if you have any questions.
VERY IMPORTANT: Please double check the glass corner and four edges of the glass door and fixed panel to make sure that all the glass are in perfect condition and without any breakage. Please do not try to install the shower door, if there is breakage to the glass corner.
3. Please note that you should consult your local building codes with questions on installation compliance standards. Building and plumbing codes may vary by location, and Woodbridge is not responsible for code compliance standards for your project and will not accept any returns.
4. Prior to installation, ensure that the installation surface is leveled and solid and will be able to support the total weight of the unit. Also, make sure the walls are at the right angles. Irregular installation surface level or improper angle of side walls will result in serious problems during installation. Please, note that some adjustments and drilling might be necessary during the installation process.
5. **NOTE!** This door does not have out-of-plumb adjustment. Make sure your walls are at right angles.
6. This door requires a minimum 2 3/4" wide threshold, base or installation space. Please note that Step 6 calls for installation of the door to the wall using anchors. However, the manufacturer strongly recommends installing these heavy doors to the studs or to preinstalled 2" x 4" wood reinforcements behind the wall and attach the Wall brackets to it.

ATTENTION: THIS DOOR IS EXTREMELY HEAVY AND REQUIRES PROFESSIONAL INSTALLATION. INSTRUCTIONS ARE GIVEN FOR THE SHOWER DOOR INSTALLATION. PLEASE, FOLLOW THE SAME INSTRUCTIONS TO INSTALL THE TUB DOOR. INSTRUCTIONS THAT, IF IGNORED, COULD RESULT IN DEATH OR SERIOUS PERSONAL INJURY CAUSED BY INCORRECT HANDLING OR INSTALLATION OF THE PRODUCT. THESE INSTRUCTIONS MUST BE OBSERVED FOR SAFE INSTALLATION.

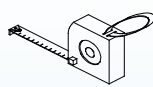
TOOLS REQUIRED



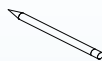
Soft Cloth
or Blanket



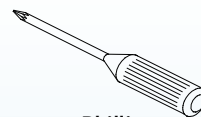
Caulk



Tape
Measure



Pencil



Phillips
Screwdriver



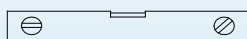
Drill Bit
(Ø=5/16")



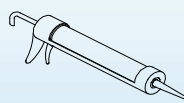
Drill Bit
(Ø=3/8")



Safety Glass



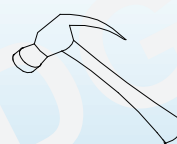
Level



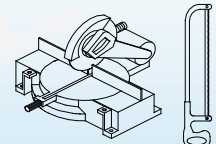
Caulk Gun



Drill

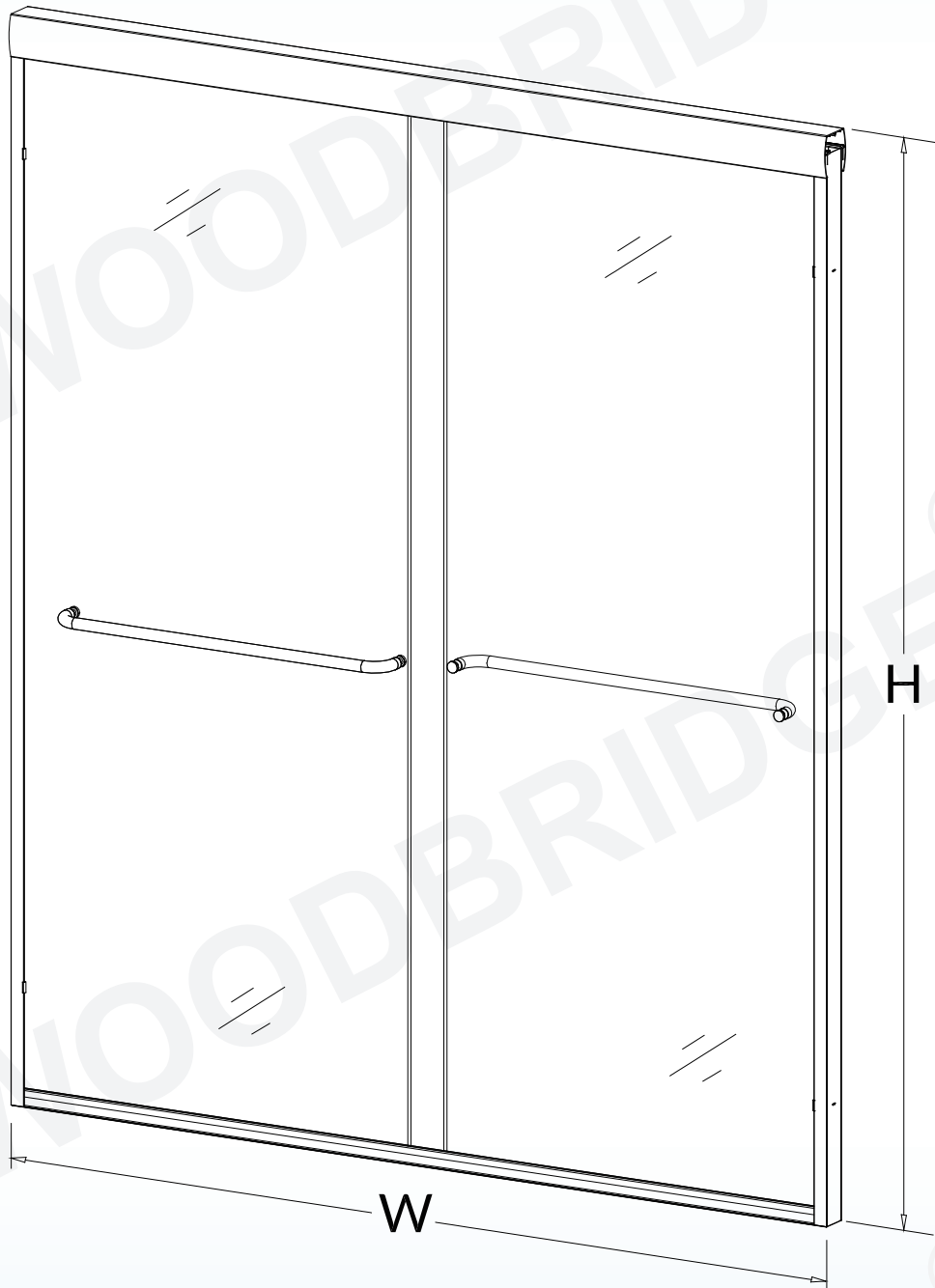


Hammer

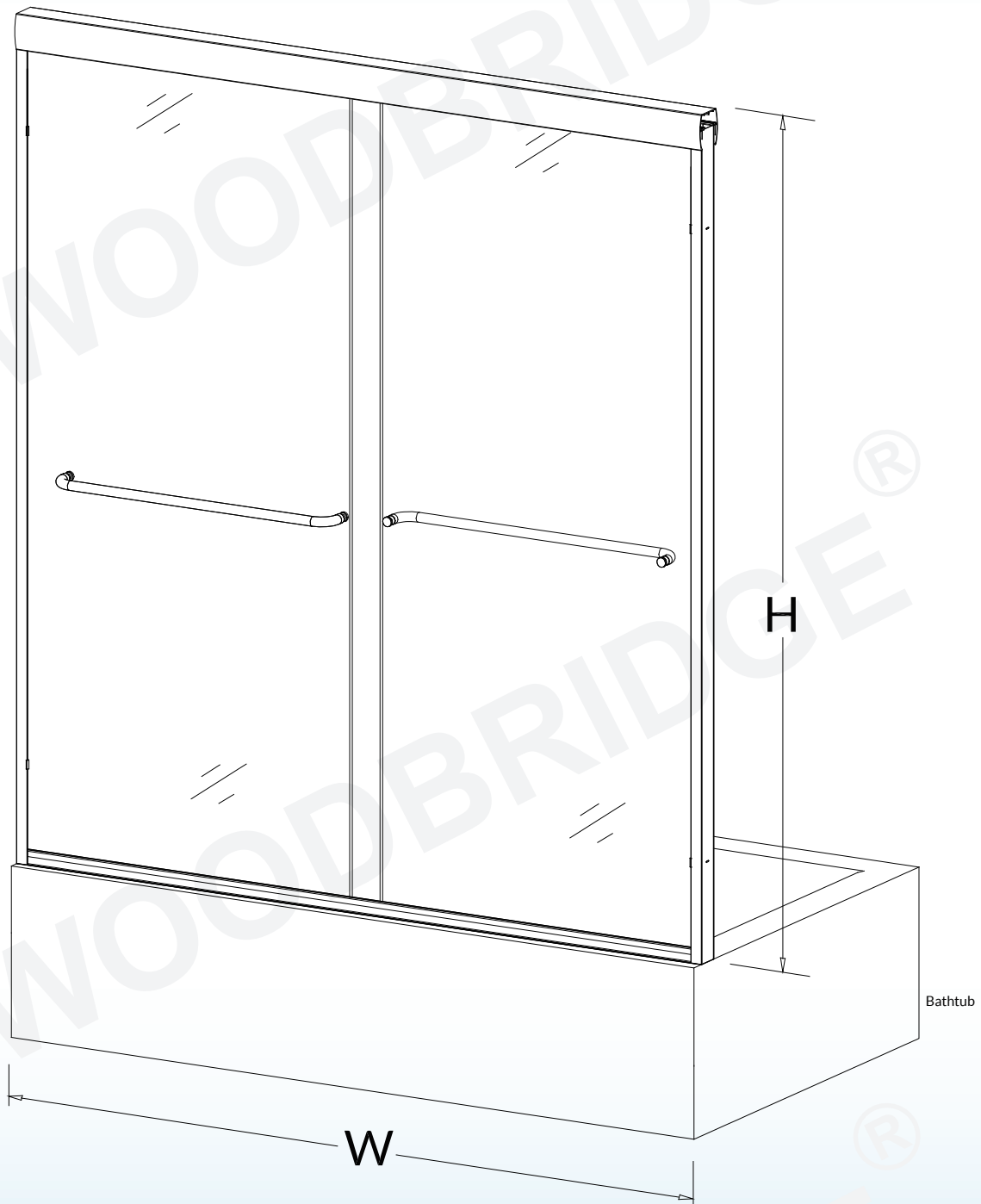


Mitter Saw
or Hacksaw

OTHER TOOLS MAY BE REQUIRED

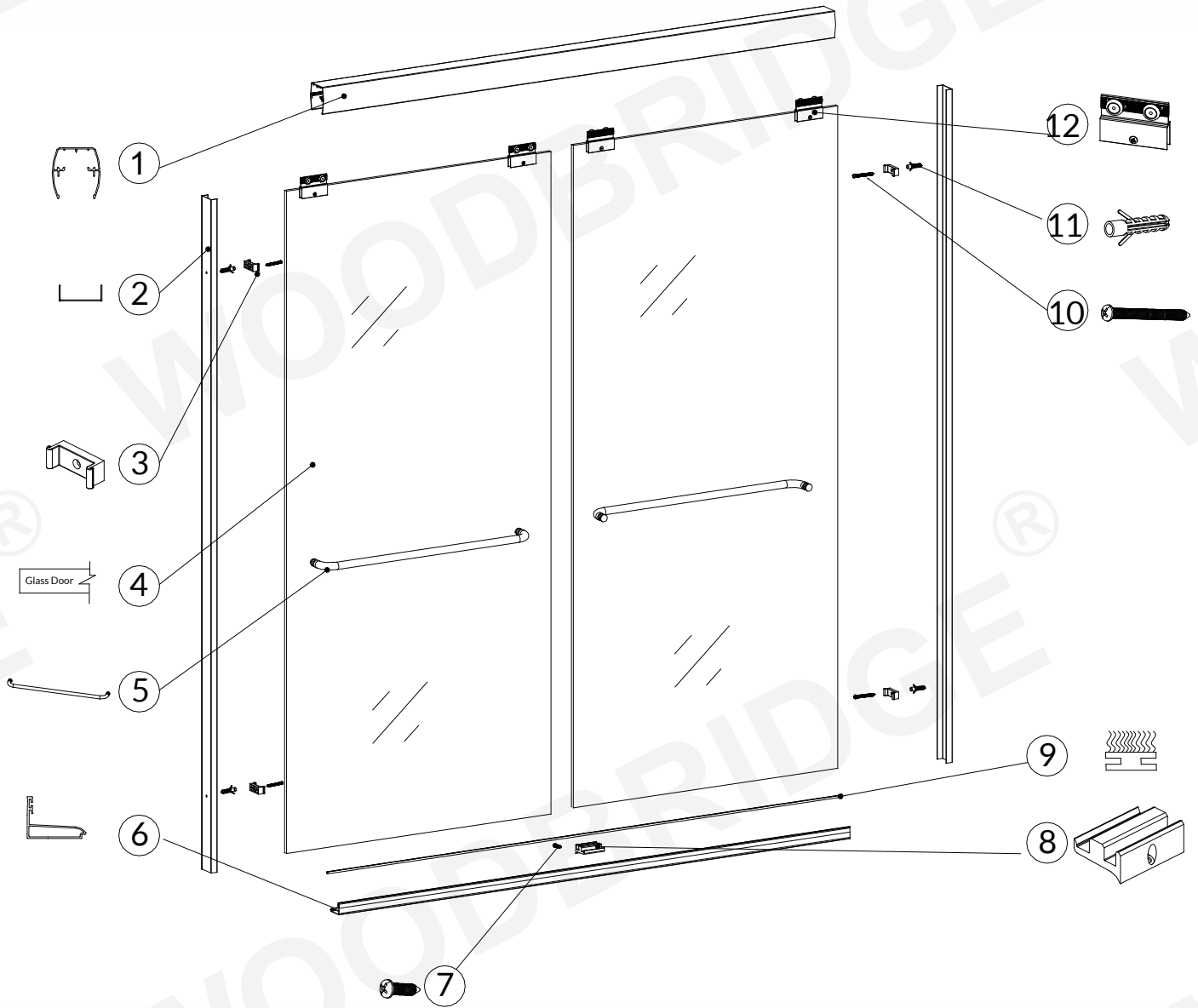


Threshold Requirement (Size): 1 7/8"



Threshold Requirement (Size): 1 7/8"

SHOWER DOOR COMPONENTS



No.	Description	QTY	No.	Description	QTY
1	Upper Guide Rail	1 pcs	7	Round Head Screw M3.5X10	1 pc
2	Wall Profile	2 pcs	8	Guide Block	1 pc
3	Rubber Bumper	4 pcs	9	Wool Tops	1 pc
4	Glass Door	2 pcs	10	Round Head Screw M4x60	4 pcs
5	Towel Bar	2 pcs	11	Wall Anchor	4 pcs
6	Bottom Track	1 pc	12	Wheel	4 pcs

1. Measure the distance between the two finished walls. This distance is marked as W.

See Figure 1 for details

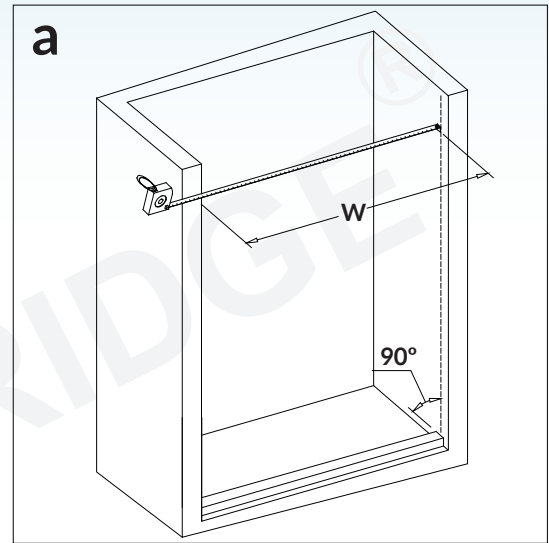


Figure 1

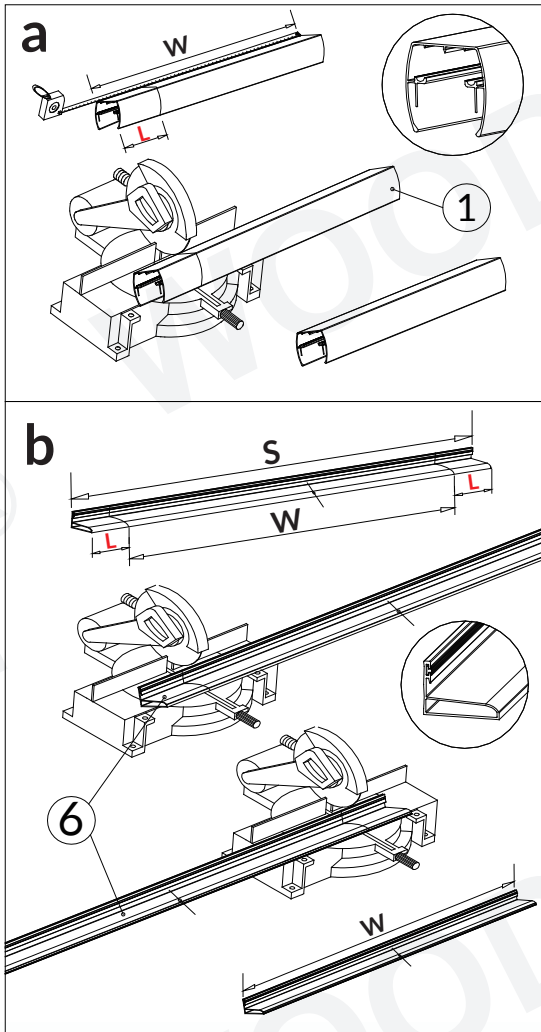


Figure 2

2. Your **Upper Guide Rail (1)** and **Bottom Track (6)** have been pre-cut for your shower model opening width: 48" or 60".
If W-width of your wall-to-wall opening is equal to the size of your shower model, it is unnecessary to cut the upper guide rail and bottom track and you can continue to Step 3.
If W-width of your wall-to-wall opening is less than the size of your shower model, you will need to cut the Upper Guide Rail from the end and cut the bottom track (6) from the two end at equal length.

The length to cut off will be L:

$L = \text{Shower Model Size} - W$

FOR EXAMPLE

If your wall opening $W = 47"$. Your shower model is 48".

$L = 48" - 47" = 1"$

You have to cut 1" off from the rail

You have to cut $\frac{1}{2}"$ off from two ends of the bottom track

See Figure 2 for details

3. Disassemble the **Guide Block (8)** from the **Bottom Track (6)** with Philips screw driver.
Remark: the **Wool Tops (9)** has been pre-installed to the Bottom Track.
Place the Bottom Track (6) onto the shower tray or shower base and level it.

See Figure 3 for details

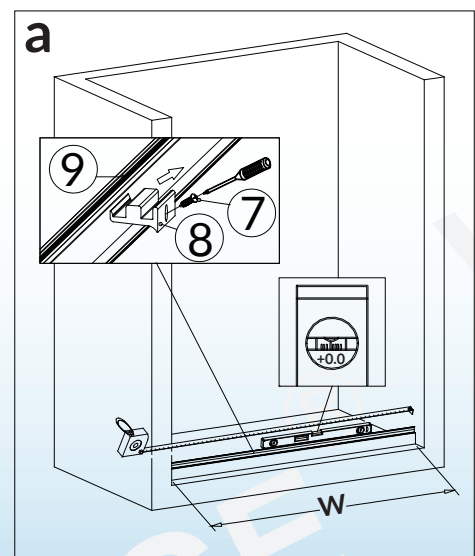


Figure 3

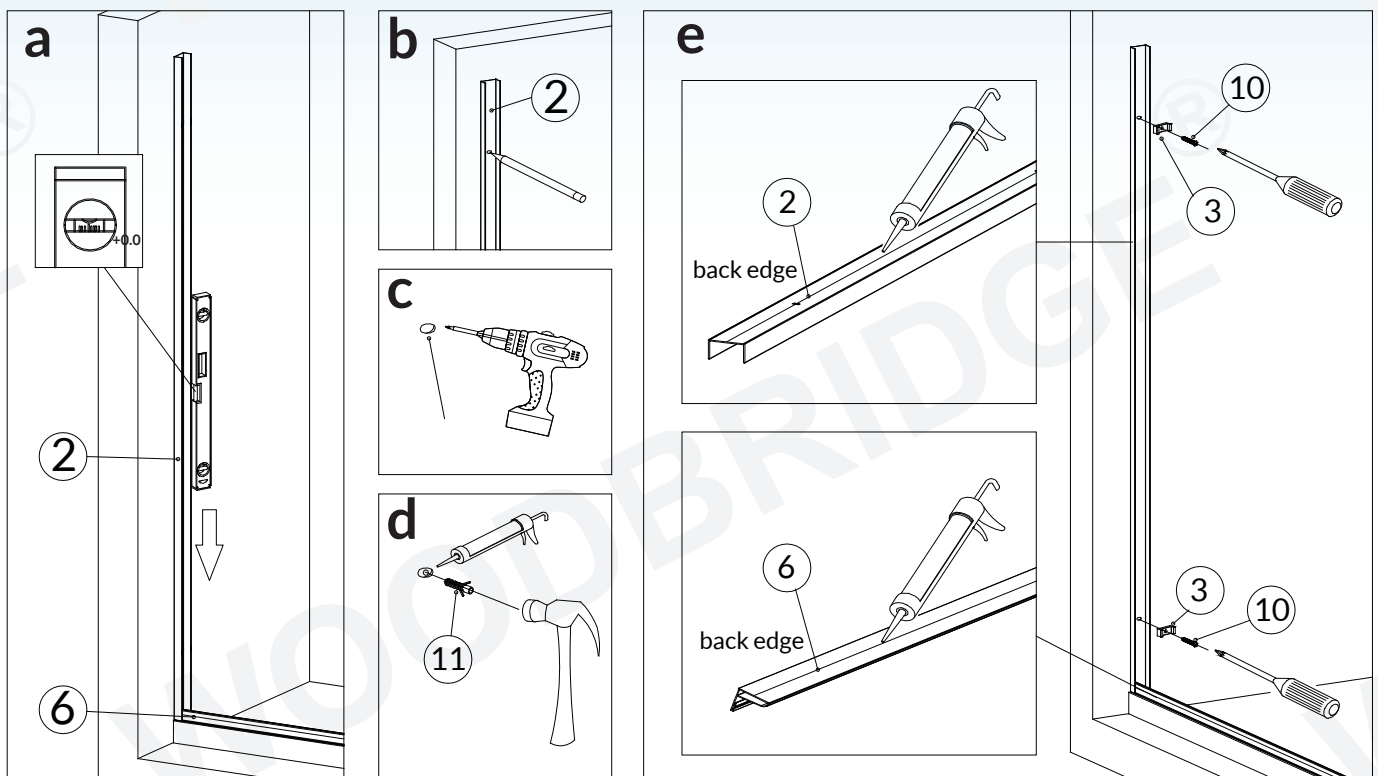


Figure 4

4. Wall Profile and Rubber Bumper Installation.

- 4.1 Place the **Wall Profile (2)** vertically against the wall and insert it into the **Bottom Track (6)** .
Using a level to level the Wall Profile upright, mark 2 pre-drilled holes on the wall, using a pencil or marker, to prepare for drilling.
- 4.2 Now, drill 2 holes in the wall using 8mm (5/16") Drill Bit. Apply silicone into the holes on the wall. Insert 3 **Wall Anchor(11)** and hammer them in.
- 4.3 Apply silicone from top to bottom along the back edge (edge facing the wall or shower tray) of Wall Profile and Bottom Track.
- 4.4 Put the Wall Profile against the wall and insert it into the Bottom Track again. At the top and bottom holes, put the Rubber Bumper (3) against the holes, and secure the Wall Profile and Rubber Bumpers to the wall by using 2 Round Head Self-tapping screw M4X60 (10).

Note: The other Wall Profile will be installed in the same way.

See Figure 4 for details

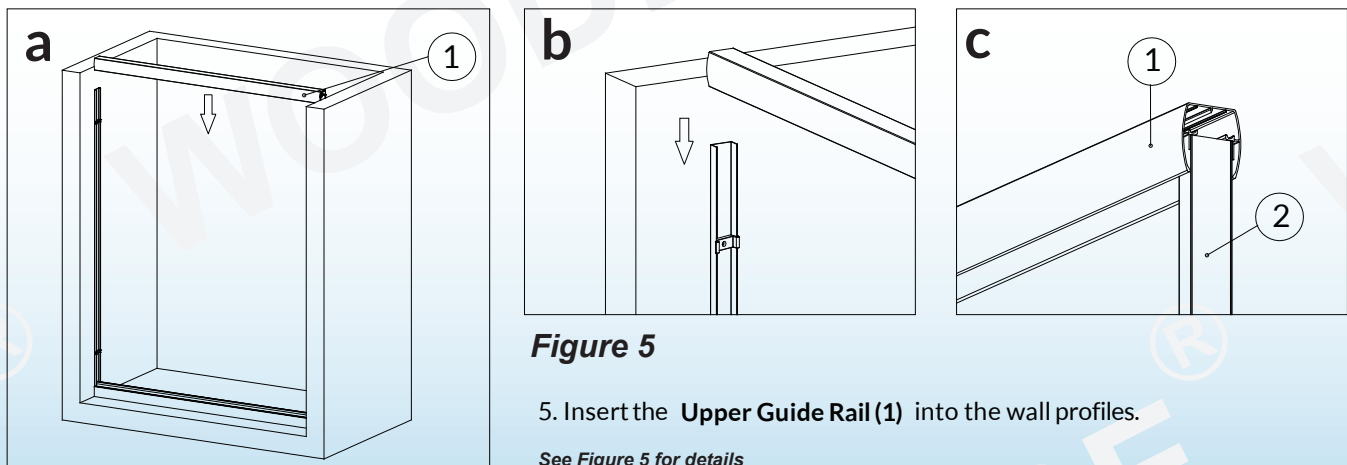


Figure 5

5. Insert the **Upper Guide Rail (1)** into the wall profiles.

See Figure 5 for details

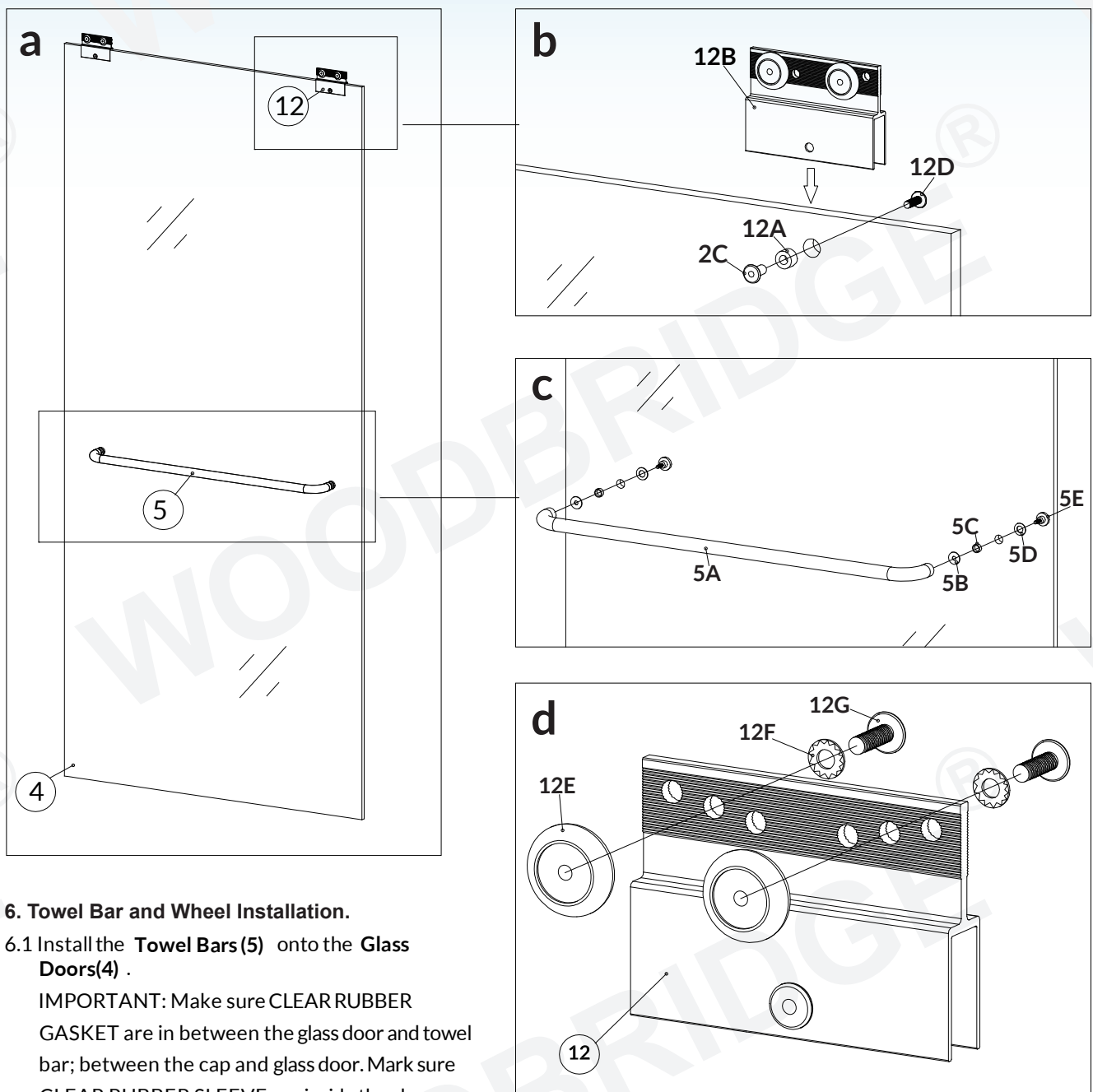


Figure 6

6. Towel Bar and Wheel Installation.

6.1 Install the **Towel Bars (5)** onto the **Glass Doors (4)** .

IMPORTANT: Make sure **CLEAR RUBBER GASKET** are in between the glass door and towel bar; between the cap and glass door. Mark sure **CLEAR RUBBER SLEEVE** are inside the glass hole. Do not let any metal part of the Towel Bar to contact the glass directly.

6.2 Install the **4 Wheels (12)** onto the **Glass Doors (4)** .

IMPORTANT: Make sure **RUBBER SLEEVES** are inside the glass holes.

6.3 There are 3 sets of holes on the wheels, which are used to adjust the height of the glass doors. Usually the small rollers will be pre-installed in the middle holes. The smaller rollers can be installed in the upper hole or lower hole if the glass height needs to be adjusted, but make sure that the **METAL GASKET** are installed between the screw and the metal roller body.

When the roller is installed in the upper hole, the glass door height will go down 2.2mm; when the roller is installed in the lower hole, the glass door height will go up 2.2mm.

See **Figure 6** for details

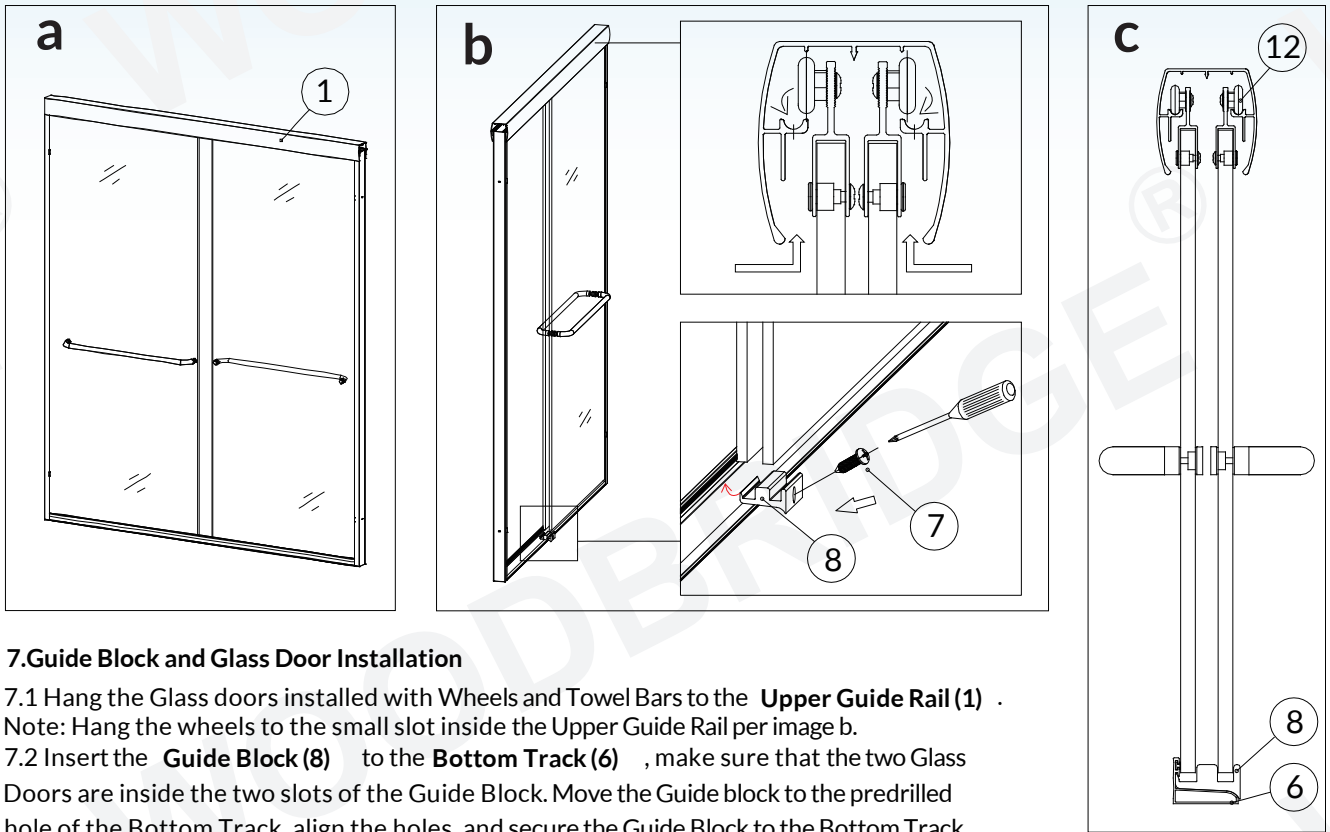


Figure 7

7. Guide Block and Glass Door Installation

7.1 Hang the Glass doors installed with Wheels and Towel Bars to the **Upper Guide Rail (1)** .
 Note: Hang the wheels to the small slot inside the Upper Guide Rail per image b.

7.2 Insert the **Guide Block (8)** to the **Bottom Track (6)** , make sure that the two Glass Doors are inside the two slots of the Guide Block. Move the Guide block to the predrilled hole of the Bottom Track, align the holes, and secure the Guide Block to the Bottom Track with **Round Head Self-tapping Screw M3.5X10 (7)** .

See Figure 7 for details

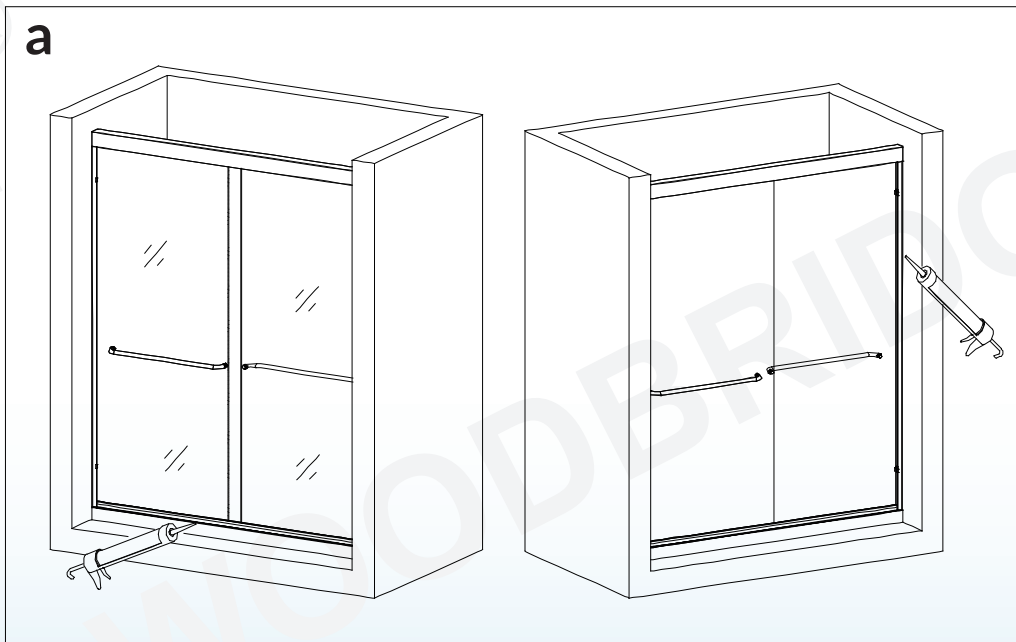


Figure 8

8. Apply Silicone

Apply clear silicone sealant between the Top Guide Rail and the wall and between the tray and the Bottom Track, also apply silicone between the wall profiles and the wall. Let the applied silicone dry completely.

See Figure 8 for details

MUST ALLOW SILICONE TO DRY FOR 24 HOURS BEFORE STARTING USING THE SHOWER

Thank you for using WoodBridge products!

Customer Service Phone: 562-774-2284. (Monday - Friday 9 AM - 5 PM Pacific Time)

Or Email: help.woodbridge@gmail.com

www.woodbridgebath.com

NOTES

INSTALLER INFORMATION

DATE OF INSTALL:

INSTALLER'S NAME:

PLUMBER: CONTRACTOR:

LICENSE #: