

INSTALLATION AND CARE GUIDE

CLAWFOOT BATHTUB

Compliance with the following codes & standard:

- 2015 Uniform Plumbing Code[®] (UPC)
- 2018 International Plumbing Code[®] (IPC)
- 2018 International Residential Code[®] (IRC)
- CSA B45.5 / IAPMO Z124-2017- Plastic Plumbing Fixtures



READ ALL INSTRUCTIONS BEFORE UNPACKING THE PRODUCT

INSTRUCTIONS THAT, IF IGNORED COULD RESULT IN DEATH OR SERIOUS INJURY CAUSED BY INCORRECT HANDLING OR INSTALLATION OF THE PRODUCT. THESE INSTRUCTIONS MUST BE OBSERVED FOR SAFE INSTALLATION.

CAUTION!



TWO PERSON LIFT REQUIRED

2 PEOPLE ARE REQUIRED TO LIFT AND DURING ENTIRE INSTALLATION OF THIS PRODUCT

This products must be installed by a fully insured and licensed plumber only. Installation of any our product by anyone other than fully insured and licensed plumber shall void limited warranty. We recommends that such licensed plumber have experience in the installation of products.

Limited warranty is void on any commercial installation

We are not responsible for local code compliance for this product. Building and plumbing codes may vary from state-to-state in accordance to your location. We are not responsible for providing any compliance certifications.

Under no circumstances we are shall not be liable for any and all incidental damages sustained in connection with this product

Neither manufacture, nor distributor, nor retailer is responsible for water damage or flood caused due to use of this product.

Under no circumstances We shall not be liable for any and all fees, cost of installation/reinstallation/removal, subsequent damage or transportation in case of the product defect

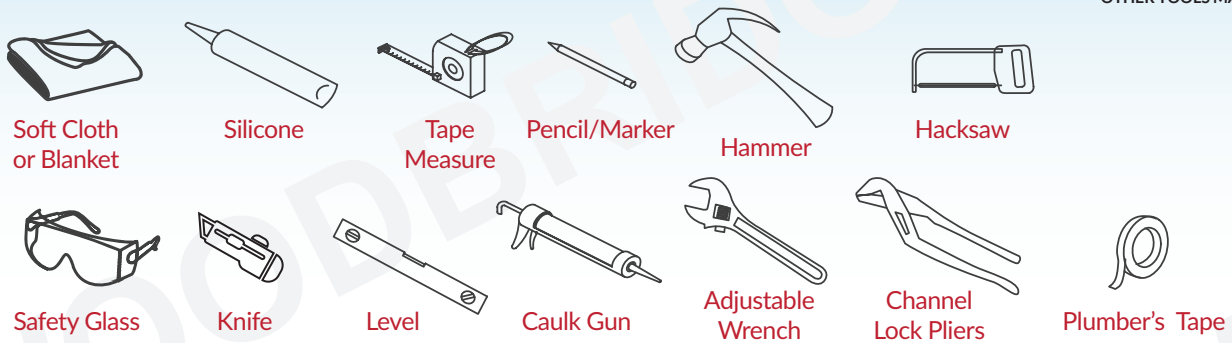
Customer Service Phone: 562-229-0088. (Monday - Friday 9 AM - 5 PM Pacific Time)

Or Email: help.woodbridge@gmail.com

202047 REV. 2

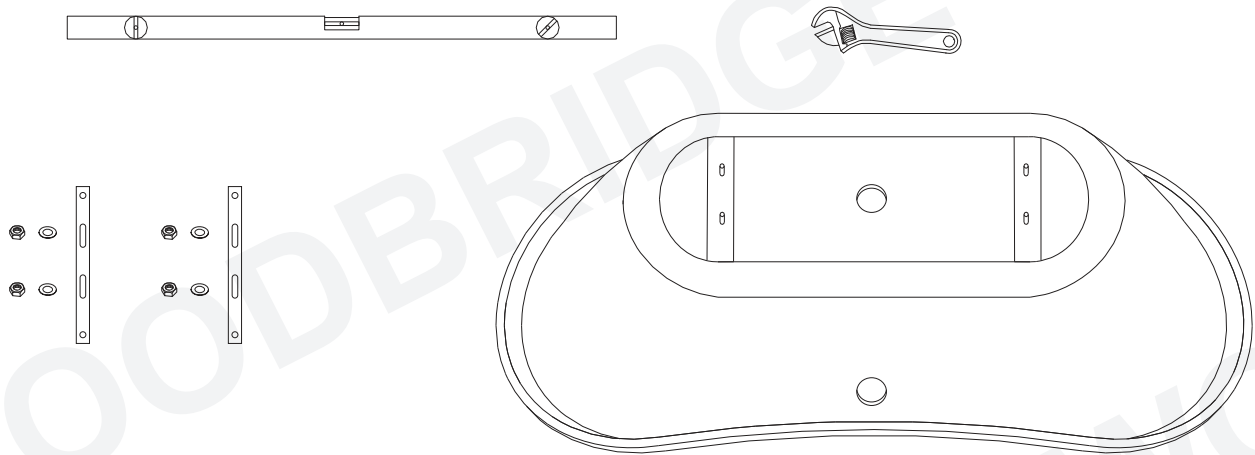
TOOLS REQUIRED FOR INSTALLATION (NOT INCLUDED)

OTHER TOOLS MAY BE REQUIRED

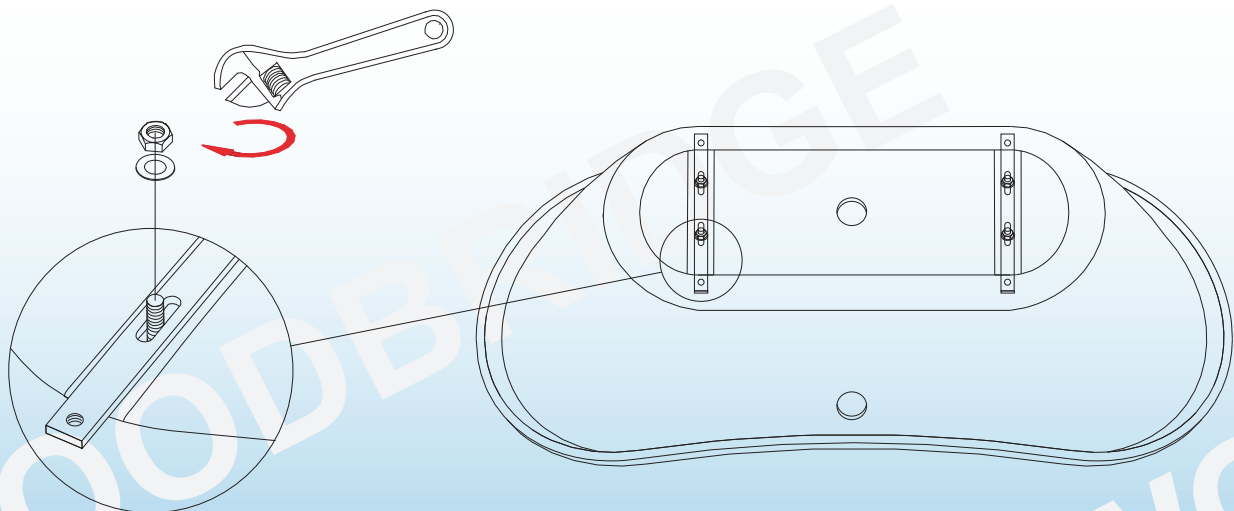


Inspect the bathtub for any damages. If any damage is found please contact your retailer.

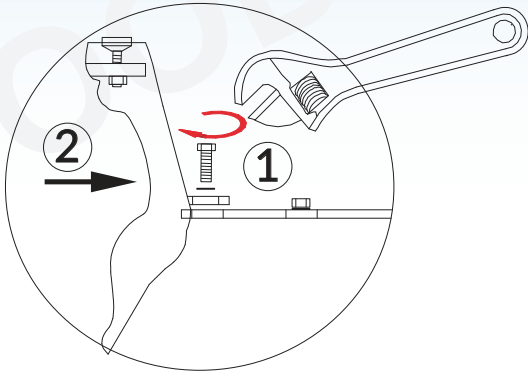
1. Take the bathtub from the carton. (avoiding the bathtub's surface scratching, setting the bathtub on a clean carton or other clean platform, do not set it on the irregularity ground directly). checking the bathtub surface, drainer whether integrity or not. and then taking all the other accessories from the carton also, preparing the tools: Levelling instrument, Adjustable wrench.



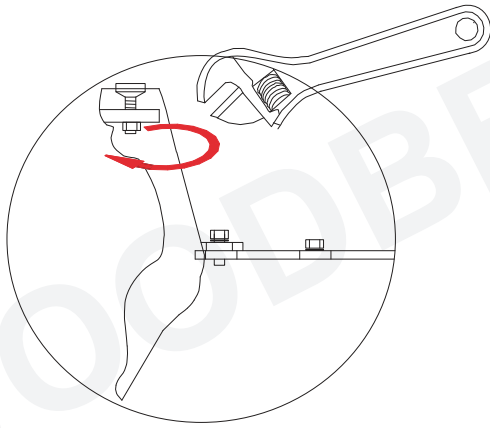
2. Please place the bathtub shelf following the directions.



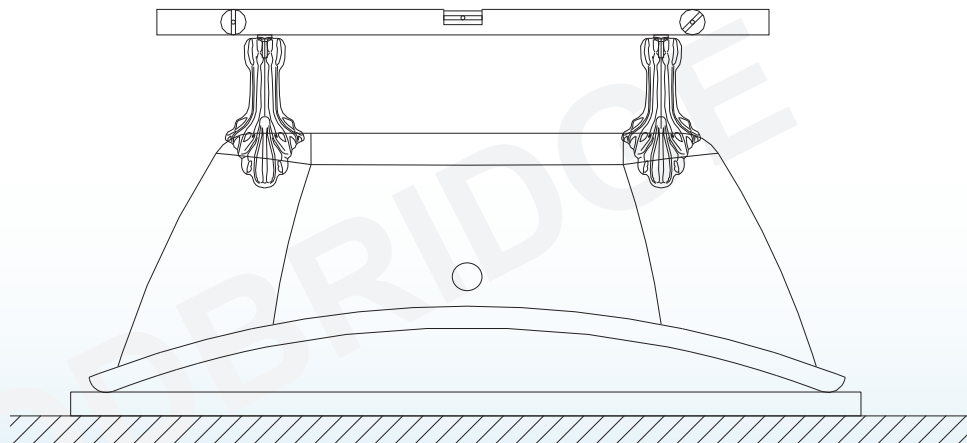
CLAWFOOT BATHTUB INSTALLATION PROCEDURE



3. Thread a washer and nut onto each stub. Don't fully tighten the nuts: The bar needs to be able to slide back and forth to allow adjustment until the foot is attached.



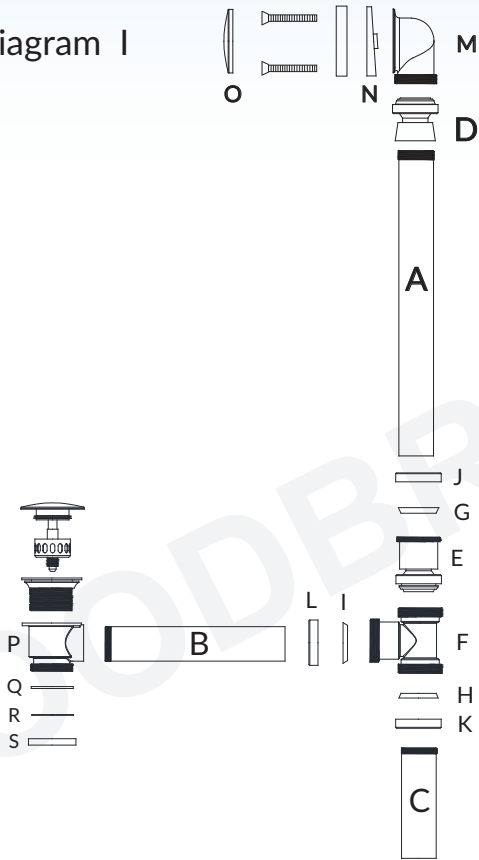
4. Fit the foot to the metal bar and tub, locking washer and bolt. then adjust the stopper foot that touch the ground



5. Use the leveler to find a proper high of the foot.

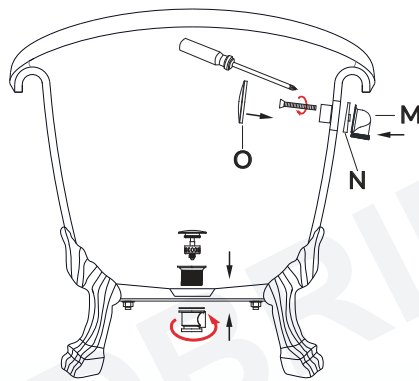
CLAWFOOT BATHTUB INSTALLATION PROCEDURE

Diagram I

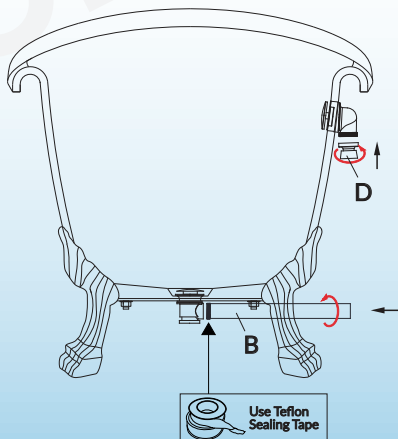


• Please find all parts before start your Installation

- A, B, C : Pipes
- D E: Connector
- F: Overflow Tee
- G ,H,I : Sealer
- J: Connector
- K , L: Slip Nut
- M : Joint / Overflow Assembly
- N: Washer Beveled
- O: Cover / Overflow Plate
- P: Top Shoe
- Q: Washer Gasket I
- R: Washer Gasket II
- S: Stopper

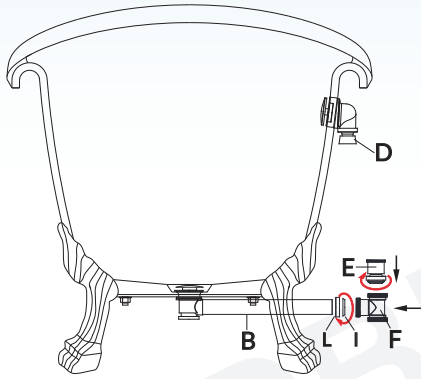


6. Installation of Overflow, Installation of toe shoe.

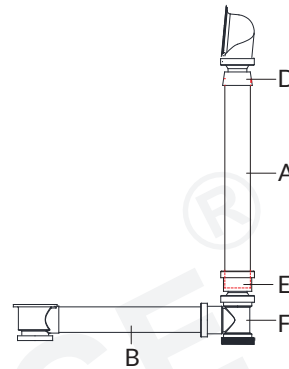
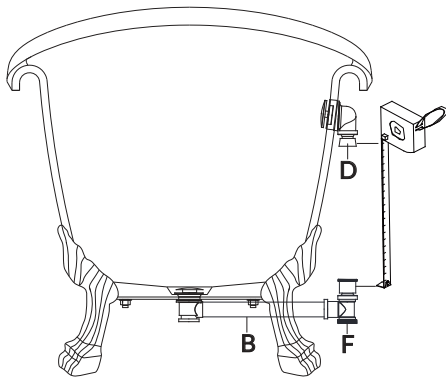


7. Install D & P connectors. Pipe " B" don't need to be cut . Use Teflon sealing tape .

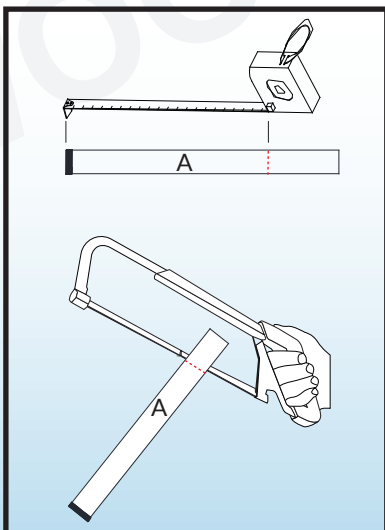
CLAWFOOT BATHTUB INSTALLATION PROCEDURE



8. Installation of "E" connector with "F" .
Please refer back to Diagram I for details.

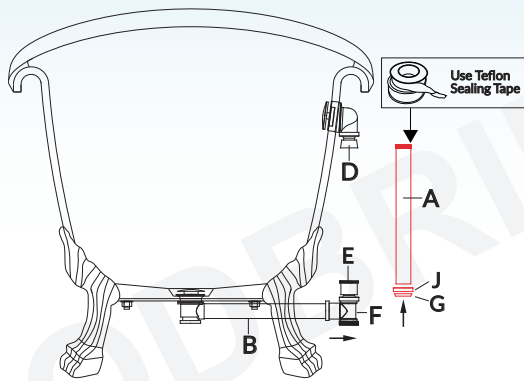


9. Measure the distance between two measure and mark each pipe so that the end of the pipe reaches a little over halfway into the overflow tee.
Attention : only pipe "A" need to be cut & fit.

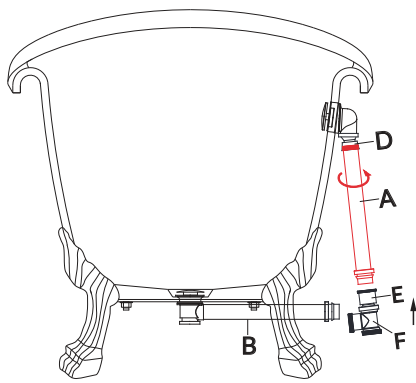


10. Trim the pipes at the marked locations with a hacksaw.
Make sure that the blade is suitable for cutting metal.

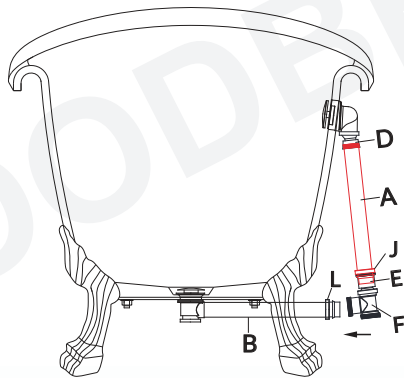
CLAWFOOT BATHTUB INSTALLATION PROCEDURE [®]



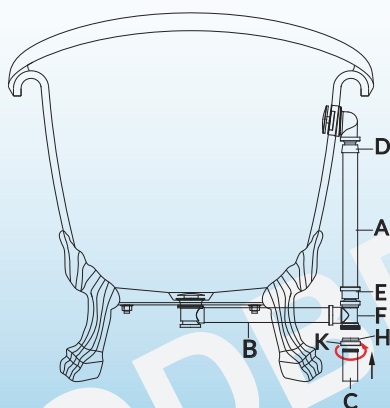
11. Connect Overflow "A" with "D" and "E". Please apply Teflon Sealing tape. Please connect "D" before "E".



12. The overflow tee will be attached at the points where the drain pipes intersect.

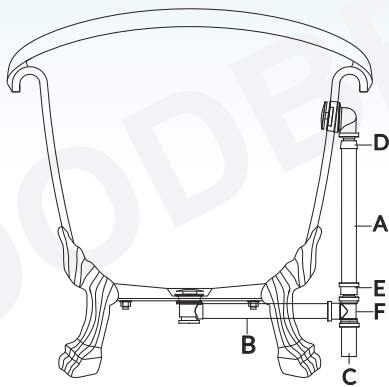


13. Tighten up slip nuts.



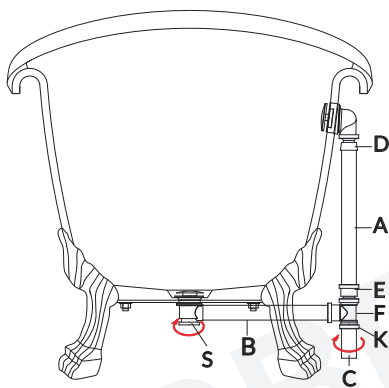
14. Only install "C" as drain is at location shown and attached the drain tube "C" and flange.

CLAWFOOT BATHTUB INSTALLATION PROCEDURE

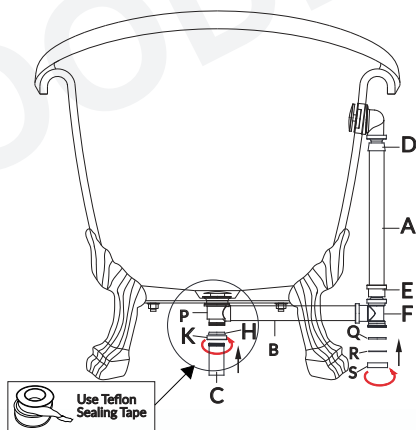


15. Installation Finished

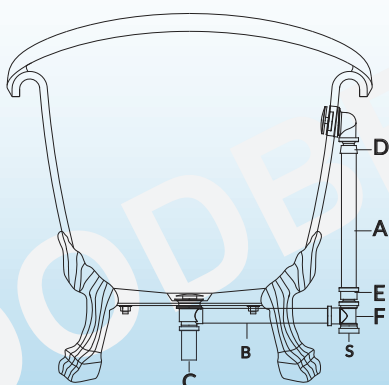
(Item: B-0023, B-0024 May have pipe "A" and "B" more than 90°)



16. There are two locations that can install "C" and "S".



17. Attached the drain tube and flange to the waste and overflow tee with the sealing washer and slip nut.



18. When your tub is in place and all connections have been made. Fill the tub with water to check for any leaks from the connections. Verify that the drain and overflow are working properly.

IMPORTANT SAFETY RULES

ATTENTION! ALWAYS FOLLOW THESE PRECAUTIONS WHEN USING A BATHTUB

- ⚠ Warning** The bathtub must be installed and used as described in this manual
- ⚠ Warning** Use caution when entering or exiting the bathtub
- ⚠ Warning** Do not permit children or persons with infirmities to use the bathtub without supervision of an adult
- ⚠ Warning** People using any medications or having adverse medical history must consult a physician prior to use of the bathtub to avoid potential hyperthermia and possible drowning
- ⚠ Warning** Water temperature over 100°F may cause hyperthermia and/or other health problems. Check water temperature and adjust it for your personal comfort
- ⚠ Warning** Never use bathtub while intoxicated, after taking meals or any alcoholic beverages. Consuming alcoholic beverages before or during bathing will cause drowsiness and may result in hyperthermia, loss of consciousness, or even drowning
- ⚠ Warning** If you are pregnant or you feel that you are may be pregnant, consult your doctor before using the bathtub
- ⚠ Warning** Never use any electrical devices such as hair dryer, lamp, telephone, tv, radio, or others within 5 feet of the bathtub
- ⚠ Warning** Do not overfill the bathtub before enetering. Entering the bathtub when filled will cause overflow and slippery conditions. Use extreme caution when entering and exiting

Care and Cleaning

- Most dirt will wash off with mild soap and warm water.
- For tough spots, use liquid dish washing soap or non-chlorine bleach.
- Do not use abrasive material such steel wool or scouring pads to clean the acrylic surface.
- Always test the cleaning solution on a small area before using it on the entire surface.
- Do not allow cleaning to soak on the acrylic surface.
- Rinse thoroughly with water immediately and wipe dry with soft cloth.

Repair and Maintenance

- Use liquid polish compound such as Gel-Gloss Kitchen and Bath Polish(TM) to keep the original shine of acrylic surface.
- Light scratches can be removed with polishing compound for automobiles.
- For deeper scratches use wet sandpaper (1500 grit or higher). Always add water when sanding and lightly sand the area larger than the scratch in a circular motion to remove the scratches. Repeat until the scratch is removed. Use soft cloth and small amount of polishing compound to restore shine. Repeat as needed until surface shine is restored.

IMPORTANT!

DO NOT USE: Abrasive cleaners such as: acid, ammonia, bleach, and simmlar solutions. Use of such solutions may cause corrosion, finish peeling, and/or dull the surface.

DO NOT USE: Abrasive sponges or cloth. Never use steel, wool, or wired brushes that will permanently scratch the surface.

Retain these installation instructions for future reference!

Customer Service Phone: 562-229-0088. (Monday - Friday 9 AM - 5 PM Pacific Time)

Or Email: help.woodbridge@gmail.com

