

# INSTALLATION AND CARE GUIDE

---

**WOODBIDGE<sup>®</sup>**

**LED MIRROR**



## **READ ALL INSTRUCTIONS BEFORE UNPACKING THE PRODUCT**

INSTRUCTIONS THAT, IF IGNORED COULD RESULT IN DEATH OR SERIOUS INJURY CAUSED BY INCORRECT HANDLING OR INSTALLATION OF THE PRODUCT. THESE INSTRUCTIONS MUST BE OBSERVED FOR SAFE INSTALLATION.



## **CAUTION**

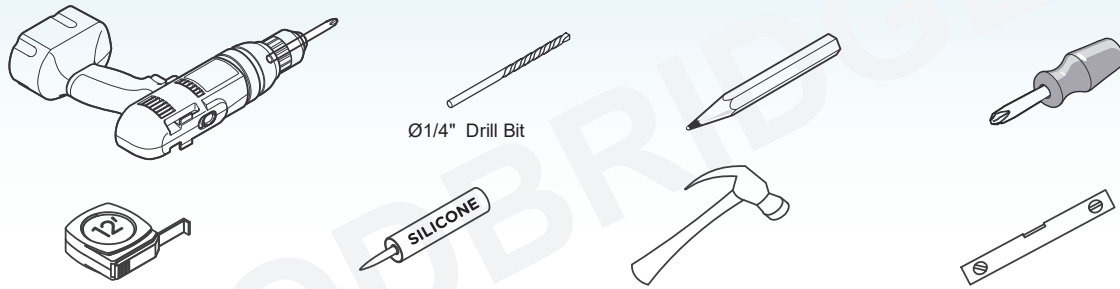
THIS PRODUCT MUST BE SERVICED BY QUALIFIED PERSONNEL. ALWAYS UNPLUG THE POWER CORD OR TURN OFF THE CIRCUIT BREAKER BEFORE SERVICE.

Customer Service Phone: 562-229-0088. (Monday - Friday 9 AM - 5 PM Pacific Time)

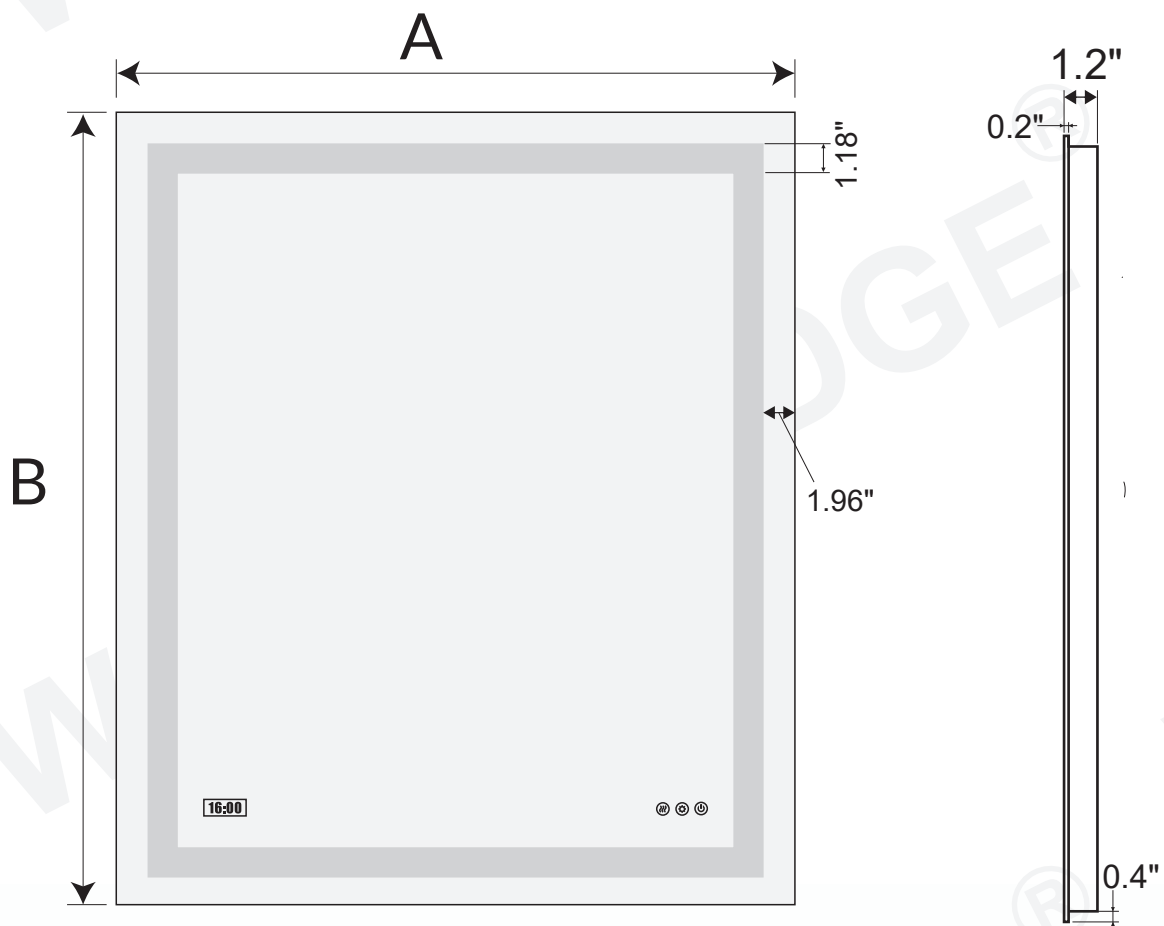
Or Email: [help@woodbridgebath.com](mailto:help@woodbridgebath.com)

## TOOLS REQUIRED FOR INSTALLATION (NOT INCLUDED)

OTHER TOOLS MAY BE REQUIRED



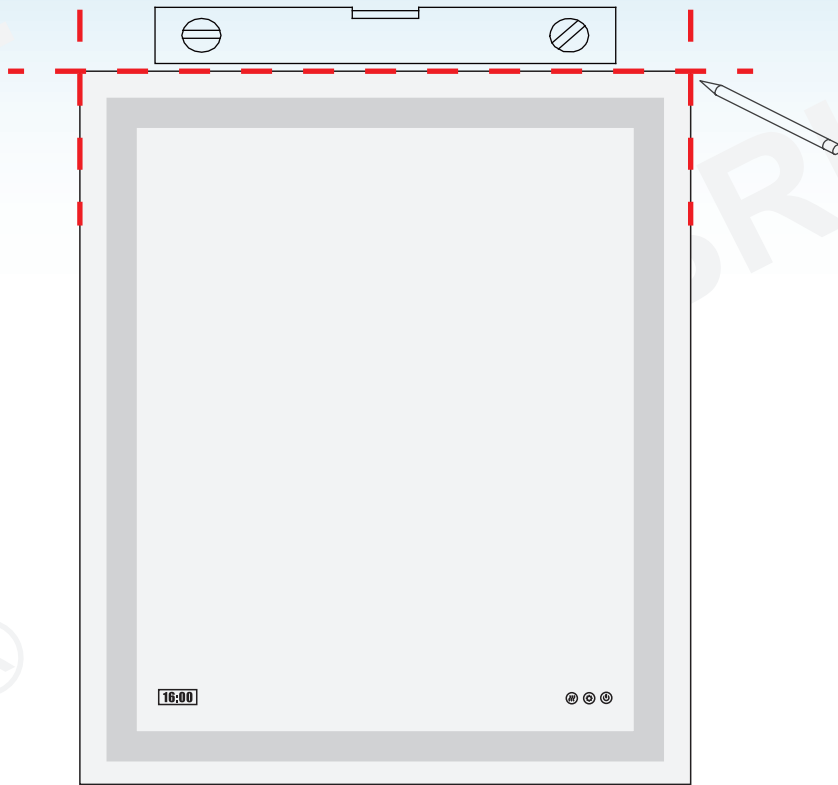
## INSTALLATION DIMENSIONS



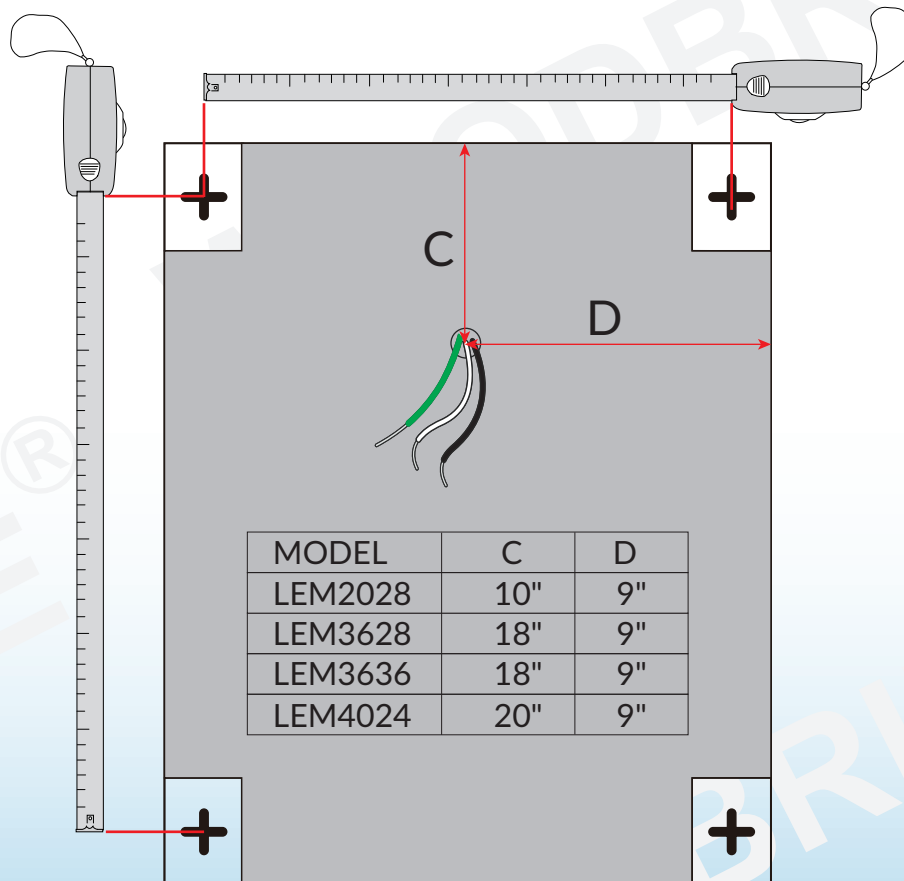
MODEL	A	B
LEM2028	20"	28"
LEM3628	36"	28"
LEM3636	36"	36"
LEM4024	40"	24"



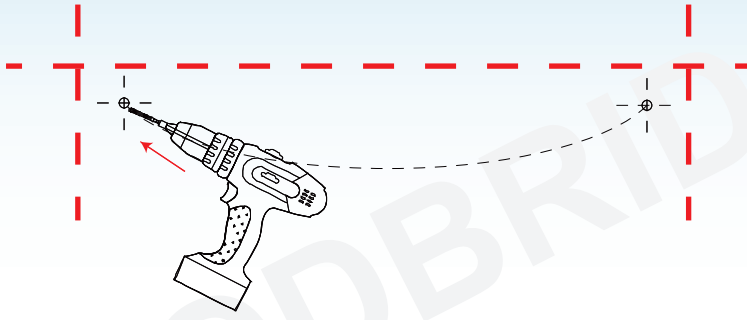
When determining the mounting location for the LED mirror, make sure to provide a minimum 3" (76mm) clearance from the faucet and light fixture.



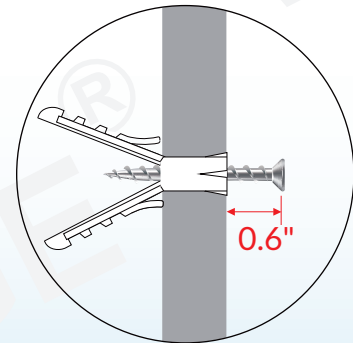
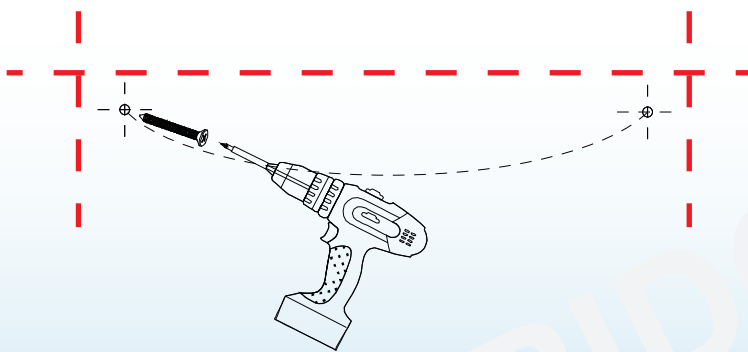
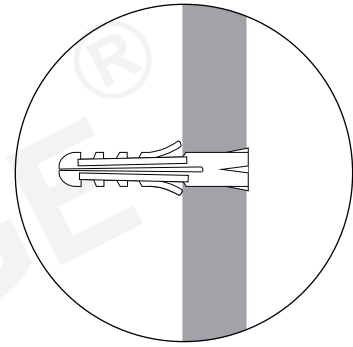
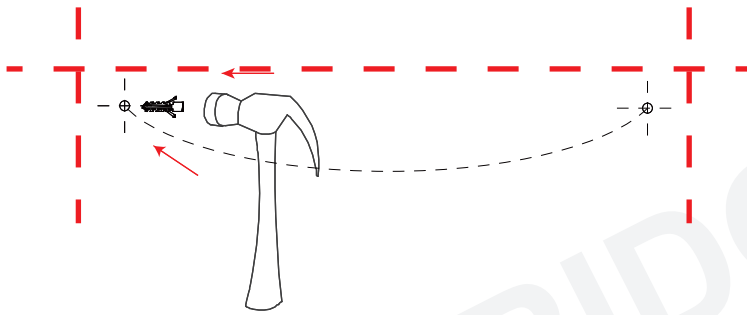
Level and mark the location



Measure the center of the holes and mark the drilling locations ensure marking are leveled



For drywall installation, mark the hole locations and drill  $\Phi 6\text{mm}$  holes for the drywall anchors.

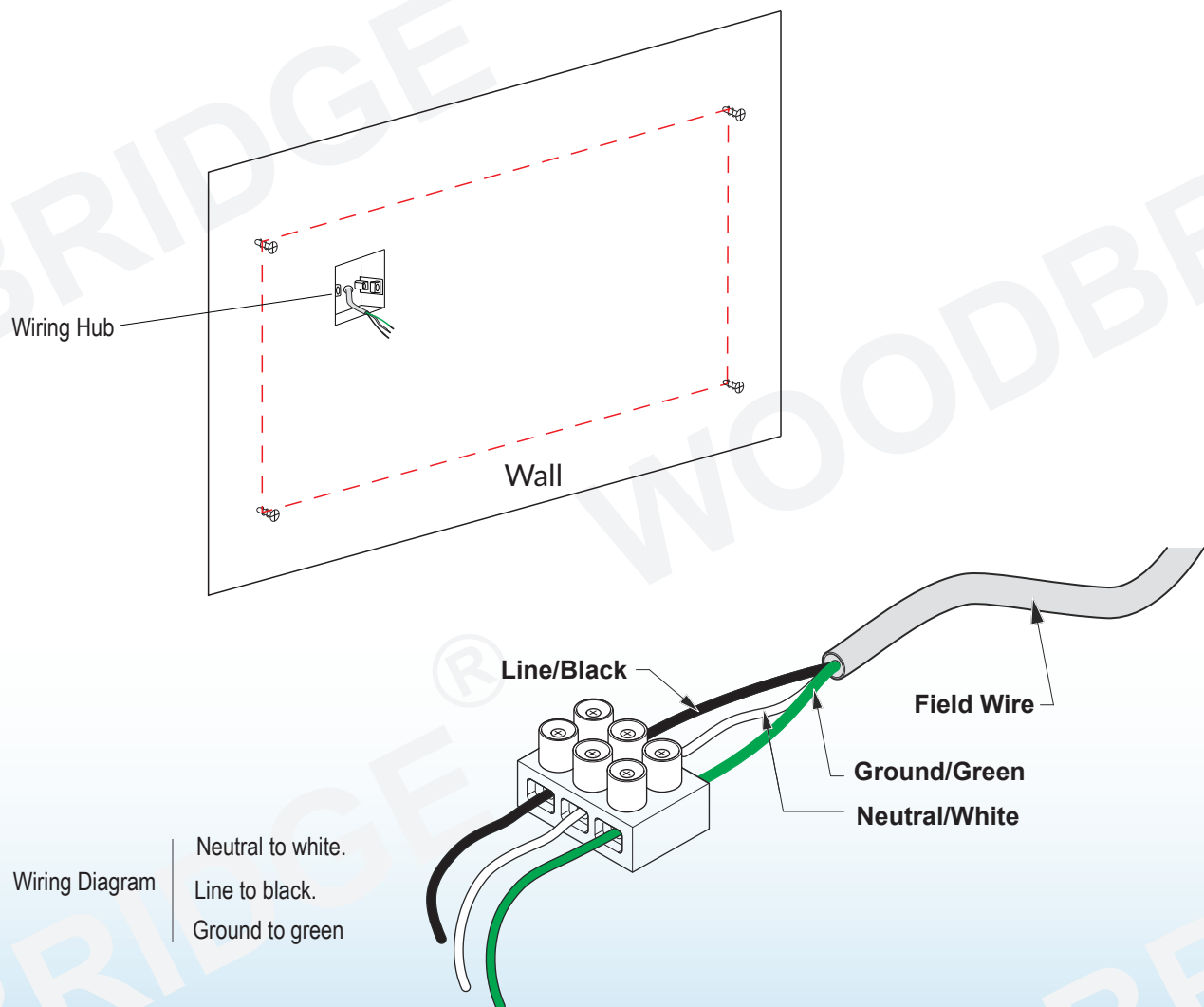


Using a drill, make holes and fill with supplied plugs and screws. Leave a gap of **0.6"** between the head of the screw and the wall

# ELECTRIC CONNECTIONS

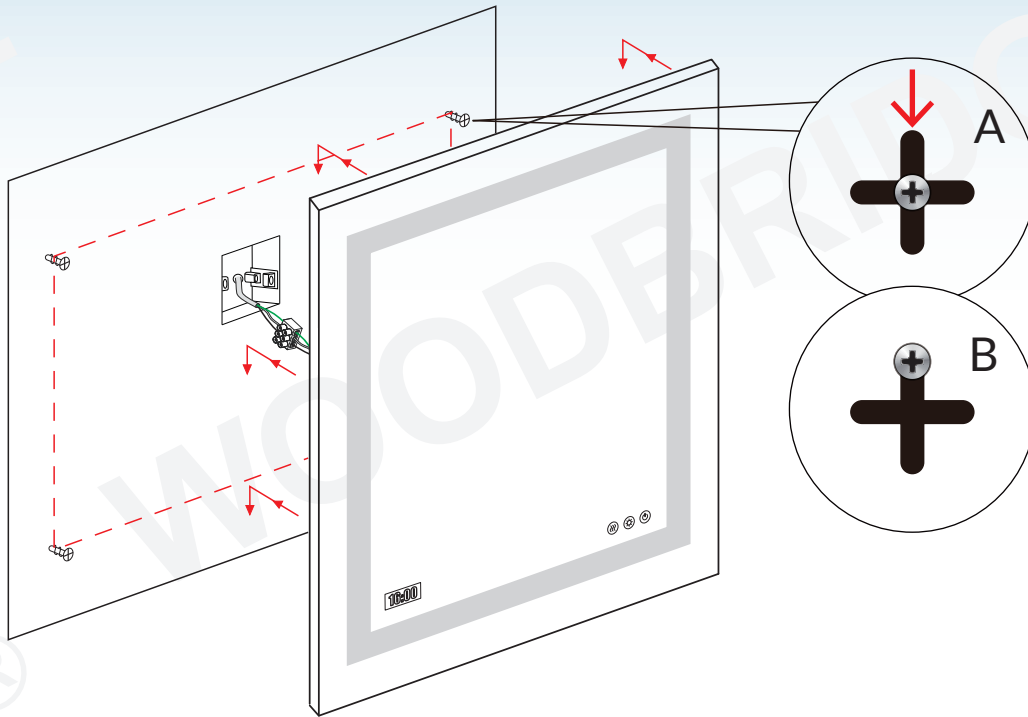
ALL WIRING SHOULD BE DONE BY CERTIFIED ELECTRICIAN

- ⚠️ **WARNING:** Shut off power before wiring the cabinet.
- ⚠️ **WARNING:** An Electrical option cabinet must be wired to a 15 Amp GFI (Ground Fault Interrupter) protected circuit when used in bathrooms and all other locations required by the National Electric Code.
- ⚠️ **CAUTION:** This product must be connected to a grounded, metal permanent wiring system or an equipment-grounding conductor must be run with the circuit conductors and connected to the equipment grounding terminal or lead on the product.
- ⚠️ **CAUTION:** Requires 120V AC 15Amp GFI PROTECTED CIRCUIT.



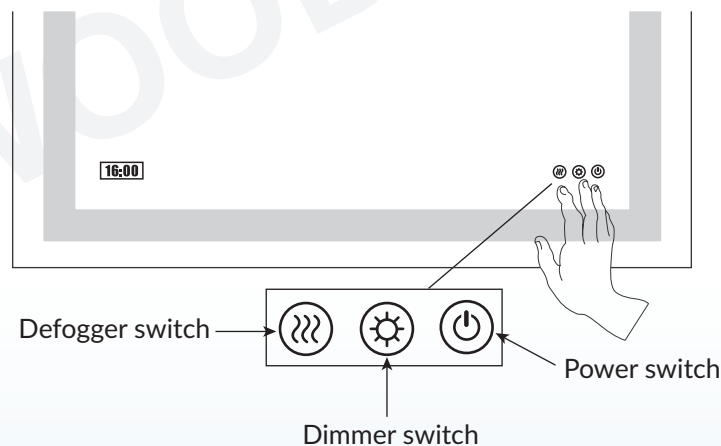
## Electric Wiring:

- Be sure to provide enough wire to build a proper and safe connection to the Field/Power.
- Place cabinet in rough-in and make sure the cabinet is square, level and plumb.
- Secure the hub with mounting screws into framing studs.

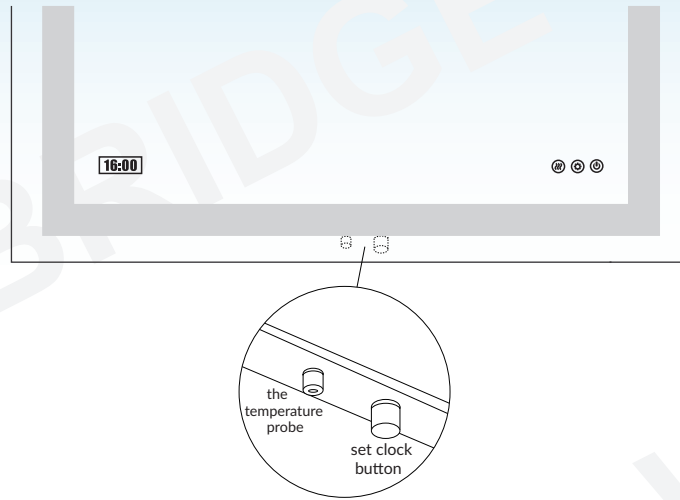


Place the mirror against the wall and slide down as shown in image B

## Instruction for operating three keys lighted mirror



Touch the Defogger switch to turn the heating coils ON or OFF.  
 Touch the power switch to turn the task light ON or OFF.  
 Press and hold the dimmer switch to dim or brighten the task lights.  
 Dimmer switch stores the current light level intensity when switched OFF and ON.  
 Single tap the dimmer switch to change the light color  
 ( light color:4000k ( natural )-5000k ( cold white light )-3000k )



### Time and Temperature adjustment for Lighted mirror and mirror cabinet :

Holding press the button for 5 seconds until the Digital Hour display is starting to blink, then press the button to adjust the Hours, after finishing adjusting the hours , 5 seconds later the minute display is starting to blink, press to adjust the minute, after finishing adjusting the minute, 5 seconds later stop blinking, finishing adjusting

---

**Retain these installation instructions for future reference!**

---

**Thank you for using WoodBridge products!**

Please don't hesitate to contact us if you have any questions or concerns.

Customer Service Phone: 562-229-0088. (Monday - Friday 9 AM - 5 PM Pacific Time)

Or Email: [help@woodbridgebath.com](mailto:help@woodbridgebath.com)