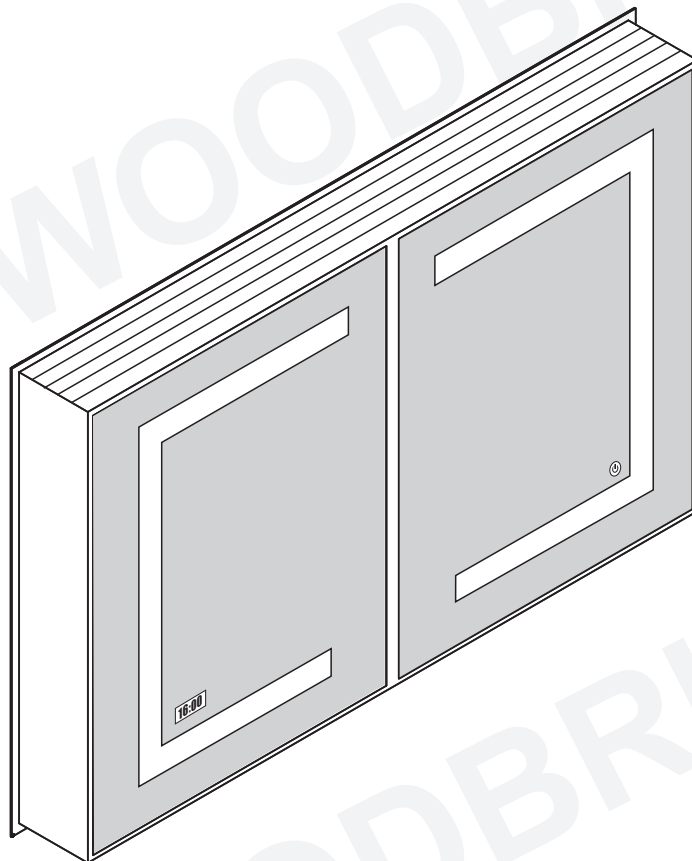


# INSTALLATION AND CARE GUIDE

WOODBIDGE®

LED MEDICINE CABINET



**READ ALL INSTRUCTIONS BEFORE UNPACKING THE PRODUCT**

INSTRUCTIONS THAT, IF IGNORED COULD RESULT IN DEATH OR SERIOUS INJURY CAUSED BY INCORRECT HANDLING OR INSTALLATION OF THE PRODUCT. THESE INSTRUCTIONS MUST BE OBSERVED FOR SAFE INSTALLATION.



## **CAUTION**

THIS PRODUCT MUST BE SERVICED BY QUALIFIED PERSONNEL. ALWAYS UNPLUG THE POWER CORD OR TURN OFF THE CIRCUIT BREAKER BEFORE SERVICE.

Customer Service Phone: 562-229-0088. (Monday - Friday 9 AM - 5 PM Pacific Time)

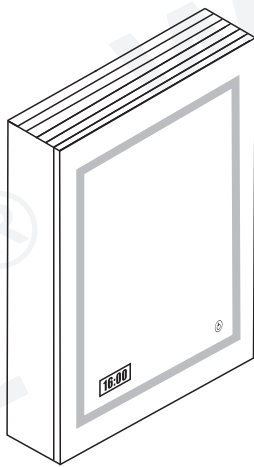
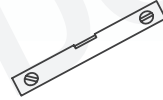
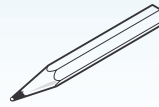
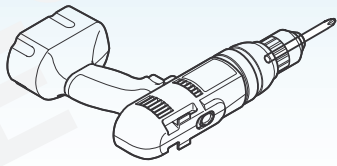
Or Email: [help@woodbridgebath.com](mailto:help@woodbridgebath.com)

2020606 REV. 1

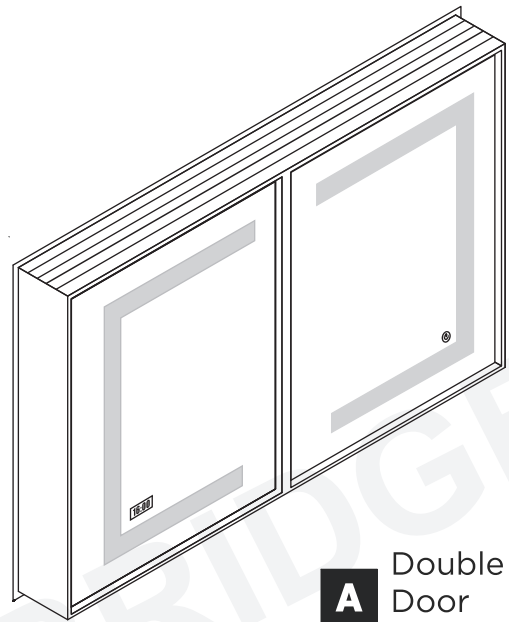
[www.woodbridgebath.com](http://www.woodbridgebath.com)

# TOOLS REQUIRED FOR INSTALLATION (NOT INCLUDED)

OTHER TOOLS MAY BE REQUIRED

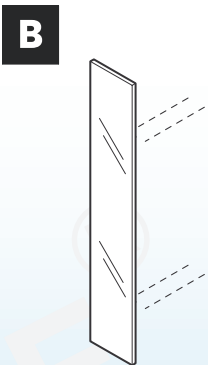


OR

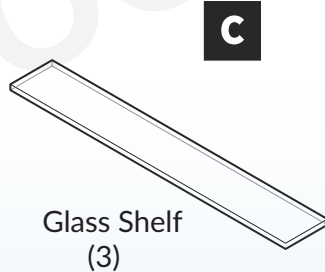


**A** Single Door Cabinet

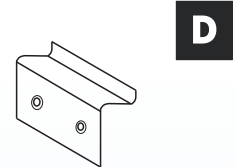
**A** Double Door Cabinet



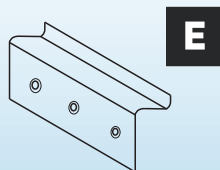
**B** Glass Side Panel (2)



**C** Glass Shelf (3)



**D** Top Mounting Bracket  
(Single Door x 1, Double Door x 2)



**E** Bottom Mounting Bracket (1)

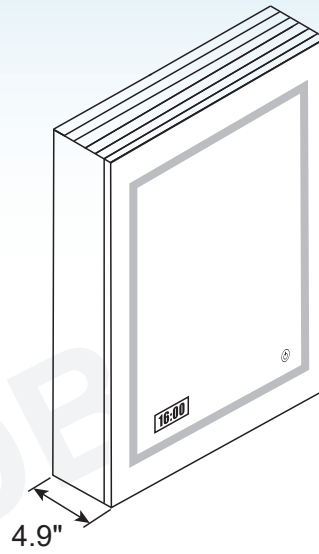
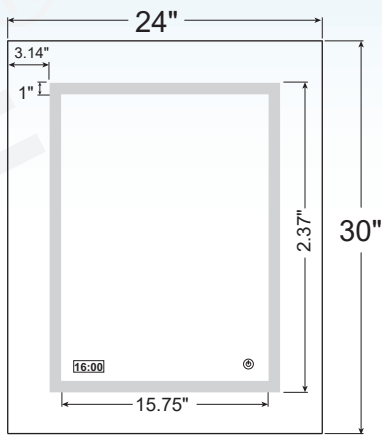


**F** Wall Anchor (4)

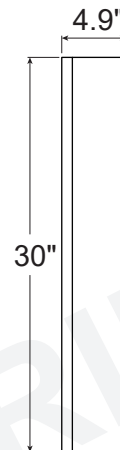
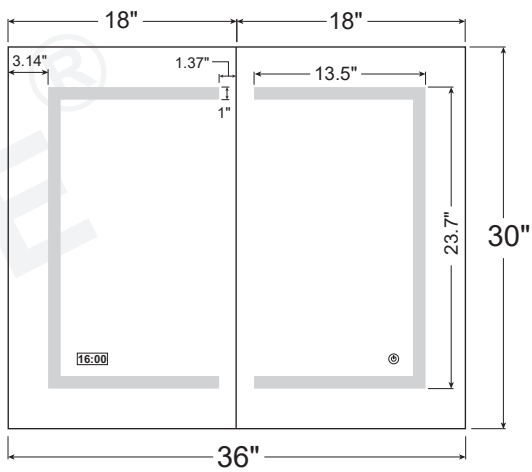


**G** Screw M4X35 (7)

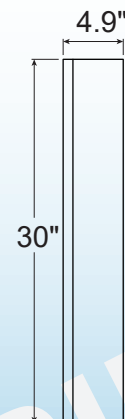
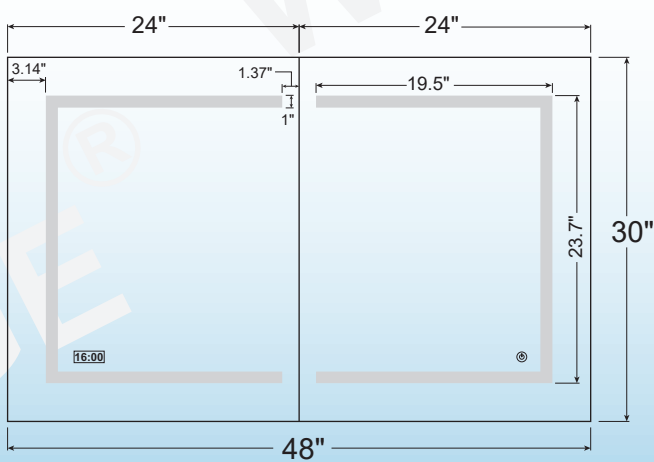
# INSTALLATION DIMENSIONS



MCLEM2430



MCLEM3630



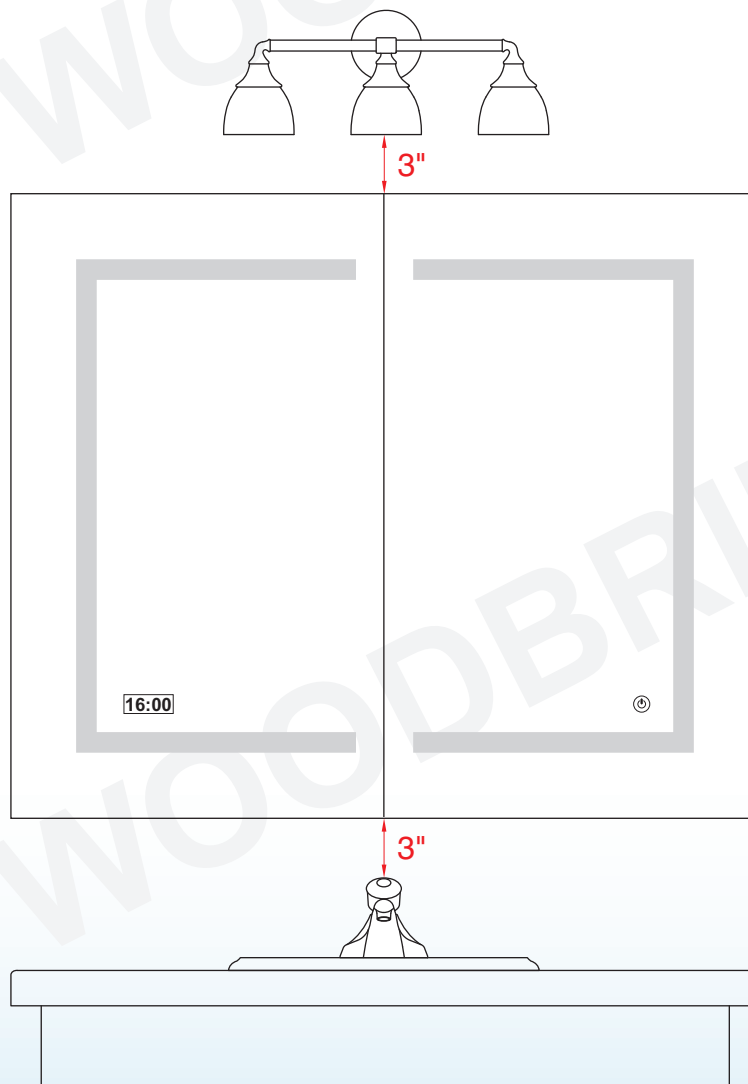
MCLEM4830

## Installation Instruction for Medicine Mirror Cabinet

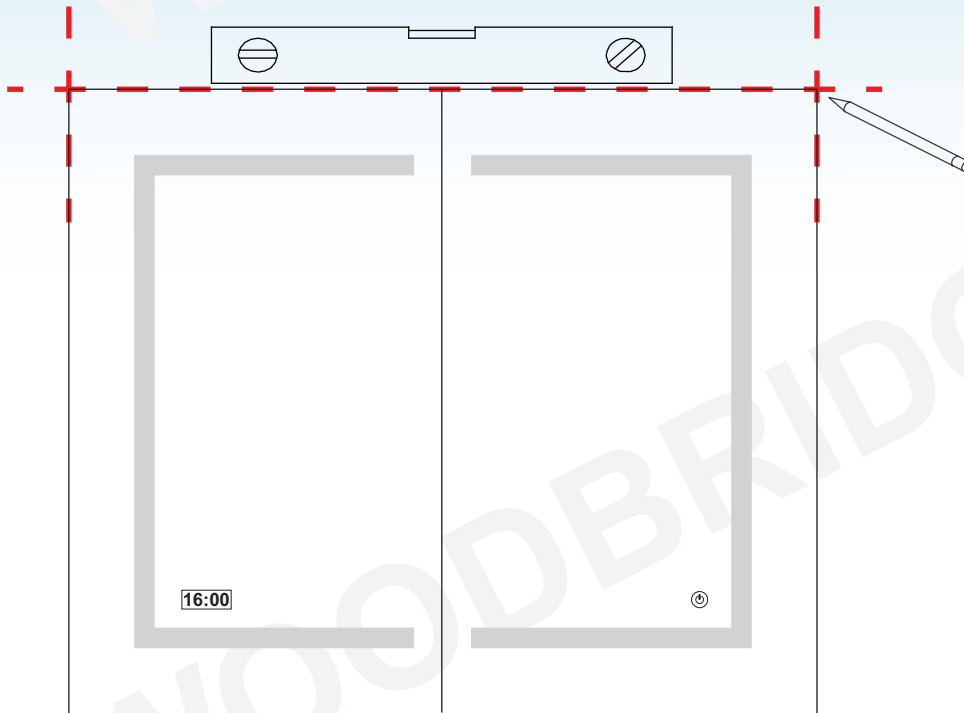
### BEFORE INSTALLATION:

Professional installation by 2 or more persons are recommended for this fixture. this medicine cabinet is designed to installed on wood bracing, if proper wood bracing is not available, please create a wood bracing structure with 2"x4" lumber. Wall anchors are provided and consult with your contractors as to the best anchors or toggle bolt to use for drywall installation.

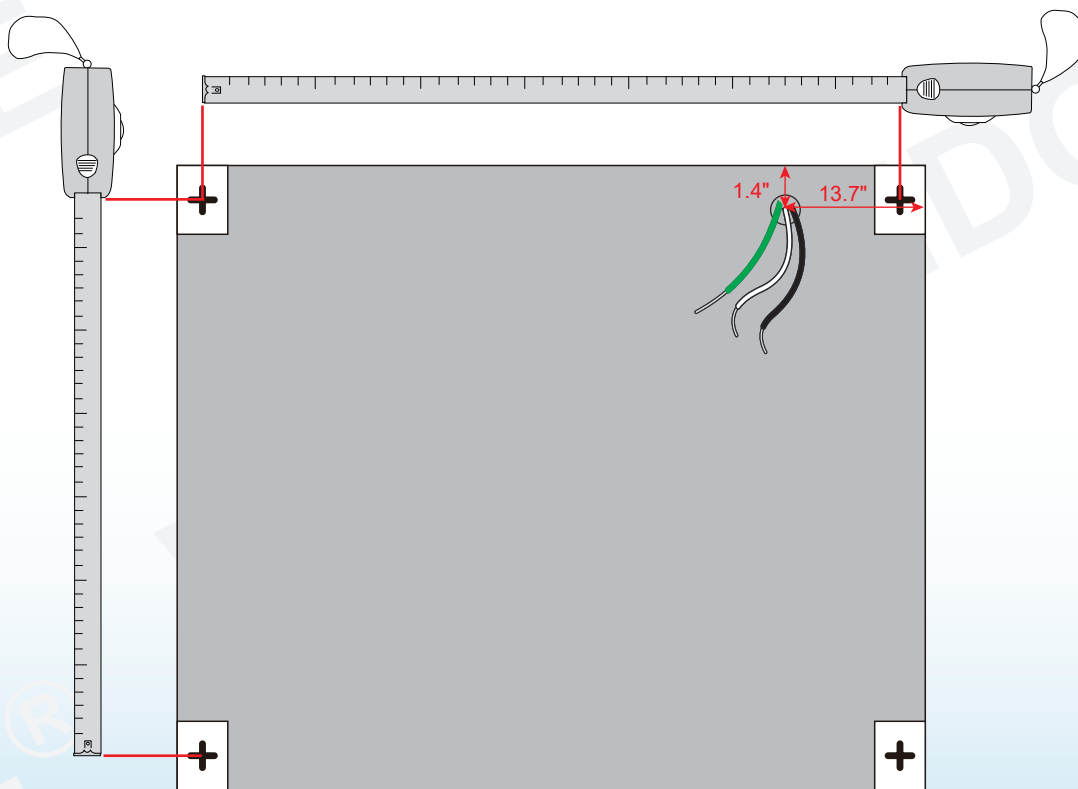
**For Surface Mount on wood wall or Drywall installation**



1. Use stud detector to locate a sturdy place for installation and make sure cabinet door is cleared from any obstacles and provide minimum 3" (76mm) clearance from the faucet and light fixture.

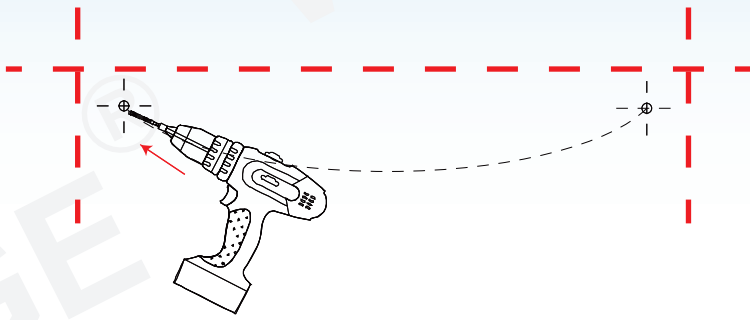


2. Place the cabinet on the desired mounting location and mark the medicine cabinet's location on the wall from left to right with pencil.

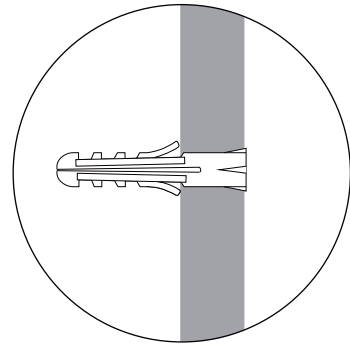
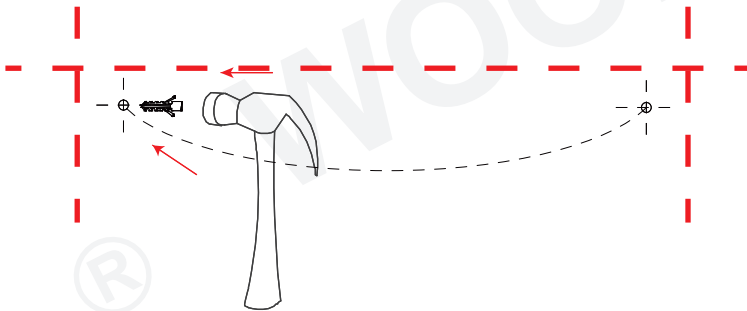


3. Measured center to center of the holes, use pencil to mark the drilling location and ensure the marking are level.

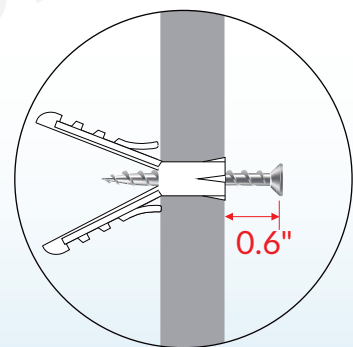
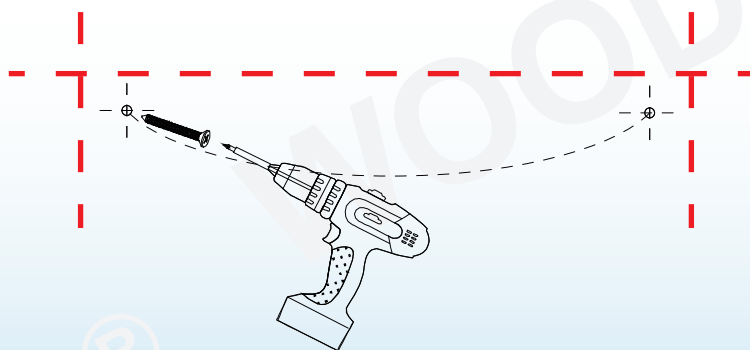
## Direction if you are installing anchors



4. Drill 6mm holes for the anchors and use drywall anchors for drywall installation.



5. Gently tap anchors into drilled holes with rubber mallet or hammer.

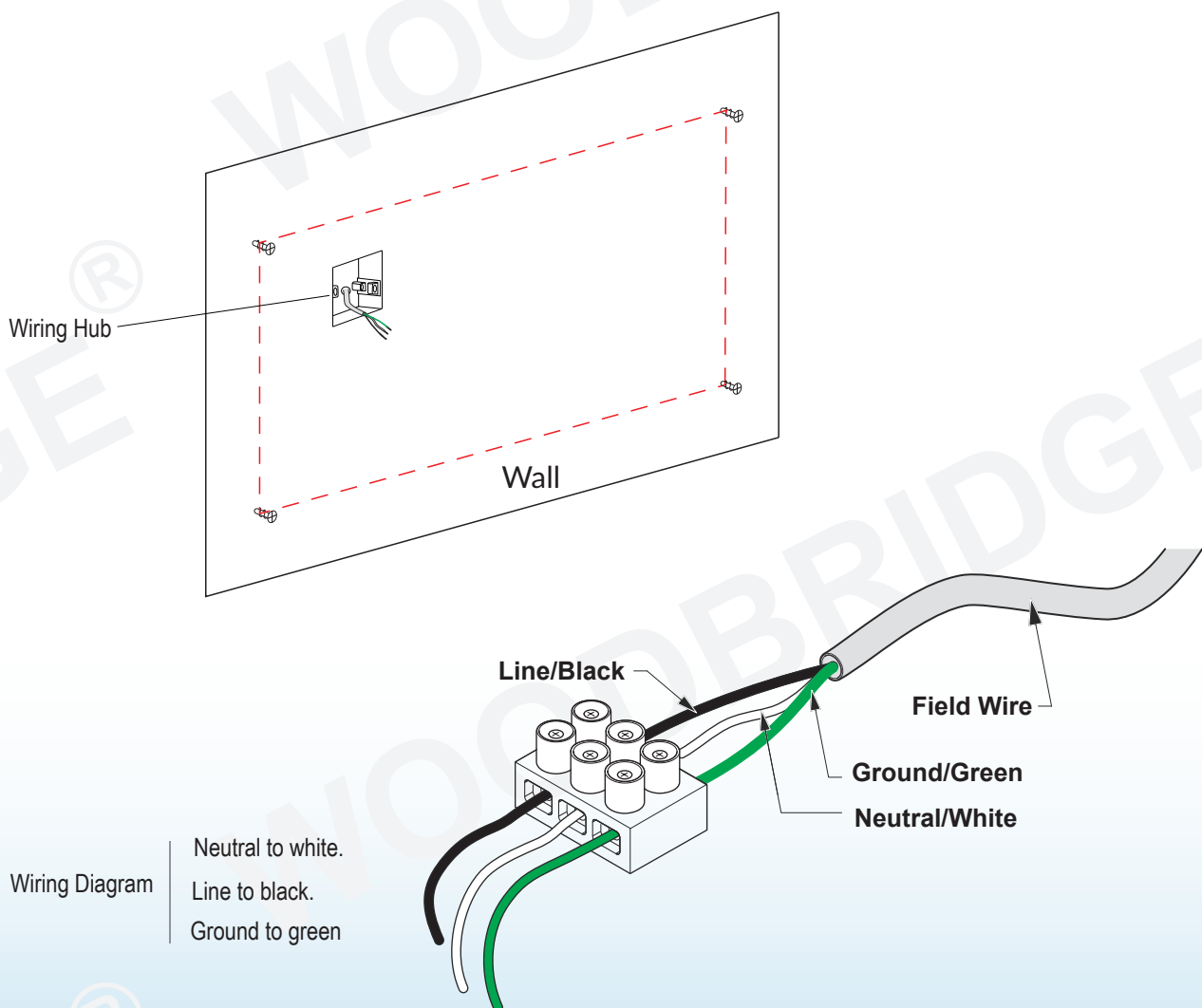


6. Secure the screw into the holes to fill with anchors. Leave 0.6" (15mm) gap between the screw head and the wall for hanging the medicine cabinet

# ELECTRIC CONNECTIONS

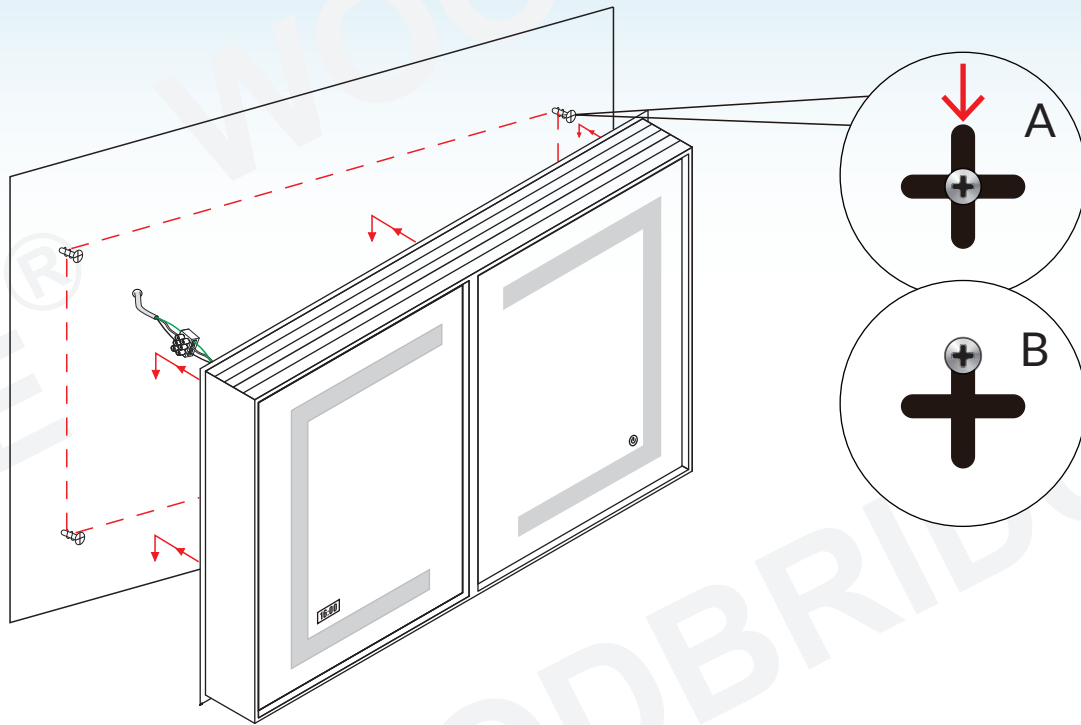
ALL WIRING SHOULD BE DONE BY CERTIFIED ELECTRICIAN

- ⚠️ **WARNING:** Shut off power before wiring the cabinet.
- ⚠️ **WARNING:** An Electrical option cabinet must be wired to a 15 Amp GFI (Ground Fault Interrupter) protected circuit when used in bathrooms and all other locations required by the National Electric Code.
- ⚠️ **CAUTION:** This product must be connected to a grounded, metal permanent wiring system or an equipment-grounding conductor must be run with the circuit conductors and connected to the equipment grounding terminal or lead on the product.
- ⚠️ **CAUTION:** Requires 120V AC 15Amp GFI PROTECTED CIRCUIT.

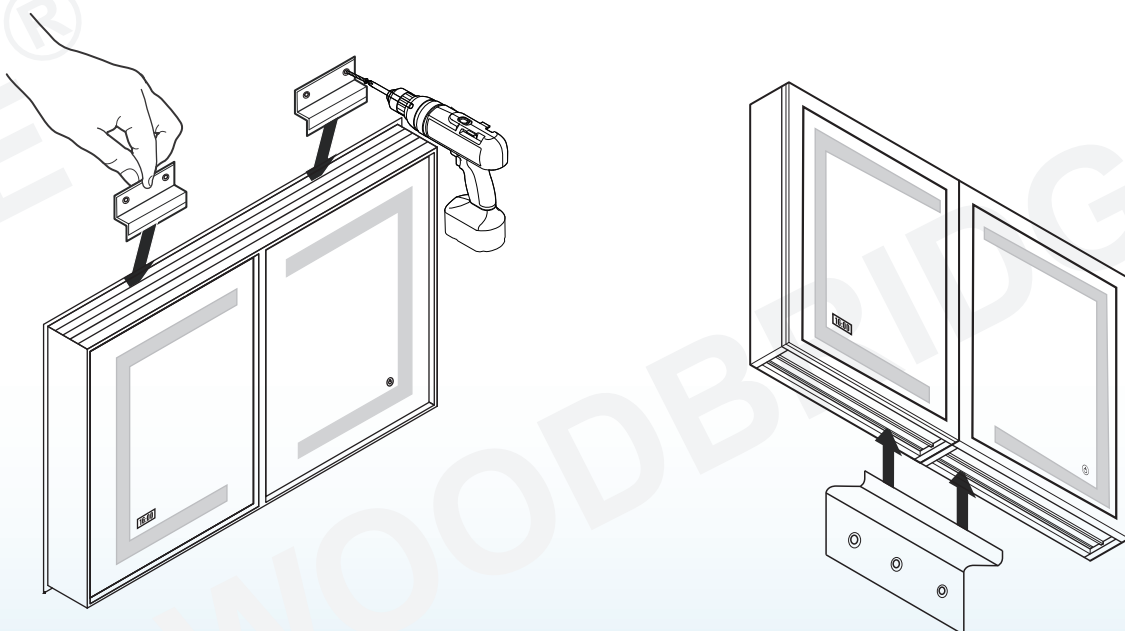


## Electric Wiring:

- Be sure to provide enough wire to build a proper and safe connection to the Field/Power.
- Place cabinet in rough-in and make sure the cabinet is square, level and plumb.
- Secure the hub with mounting screws into framing studs.

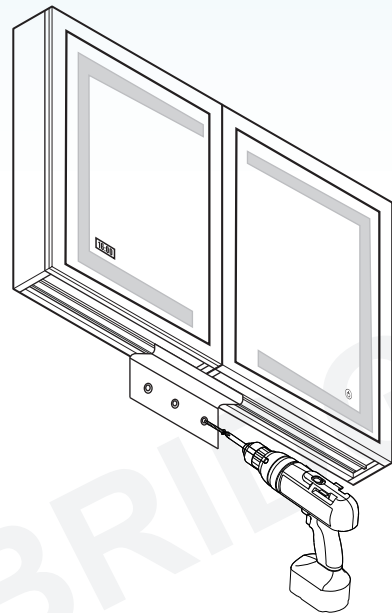
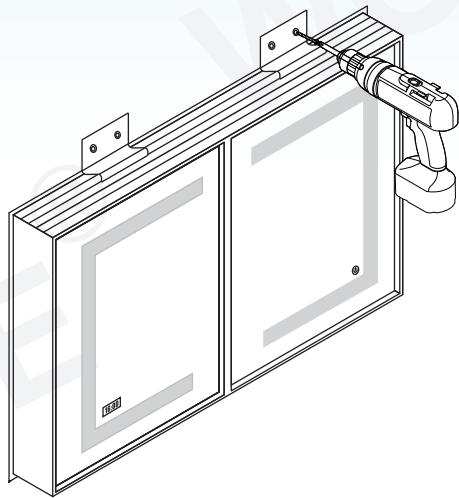


7. Attached the medicine cabinet on the mounting location.

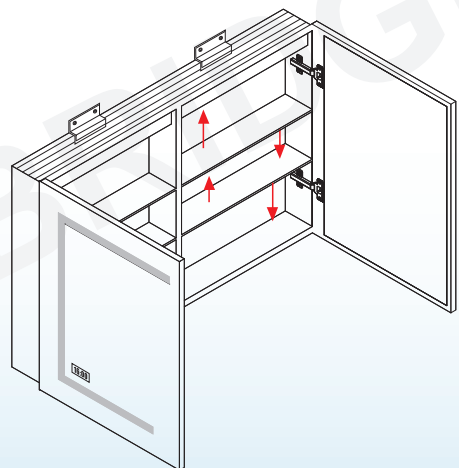
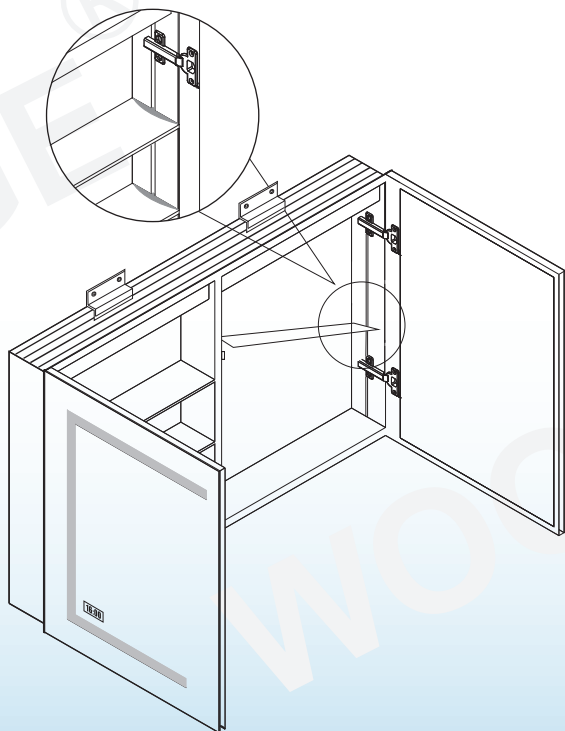


8. Attach bottom mounting bracket onto the groove under the medicine cabinet and secure it to the wall with mounting screws.



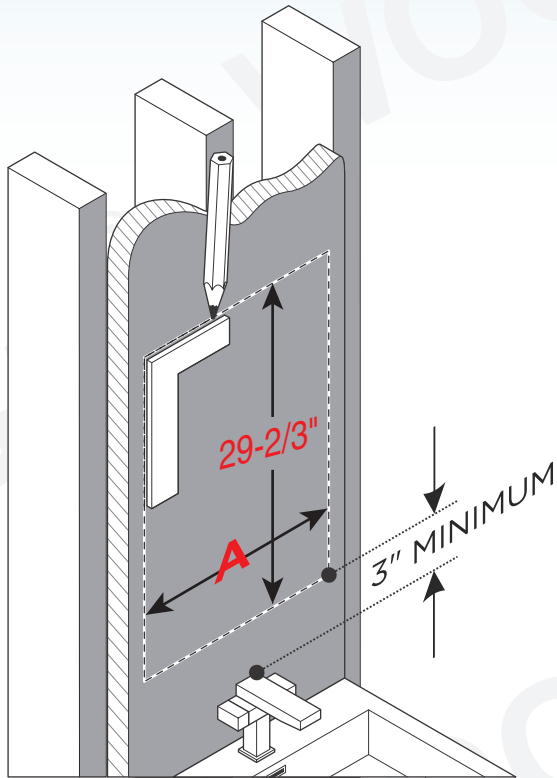


9. Insert top mounting bracket(s) onto the groove on top of the medicine cabinet and secure it to the wall with mounting screws. 1 piece for single panel and 2 pieces for double panel



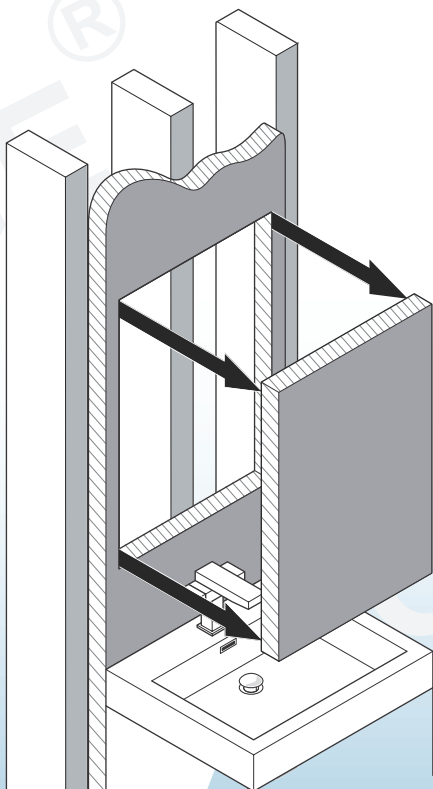
10. Place level on top of the cabinet to ensure the entire installation is level. Make adjustment if needed.

## For Recess wall installation

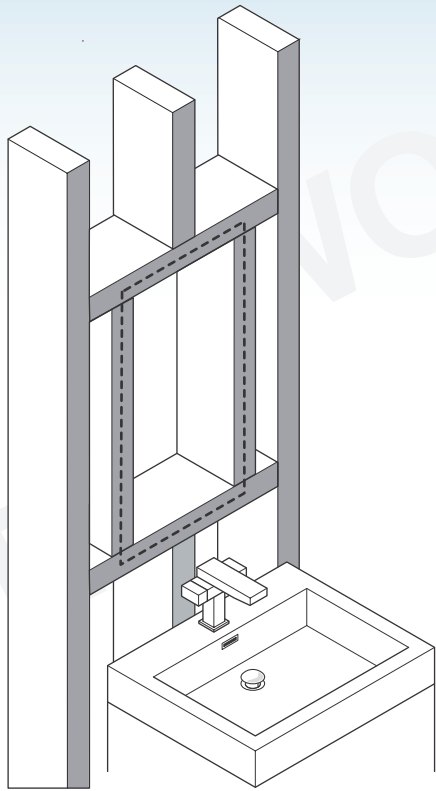


	A
<b>MCLEM2430</b>	23-3/4"
<b>MCLEM3630</b>	35-3/4"
<b>MCLEM4830</b>	47-3/4"

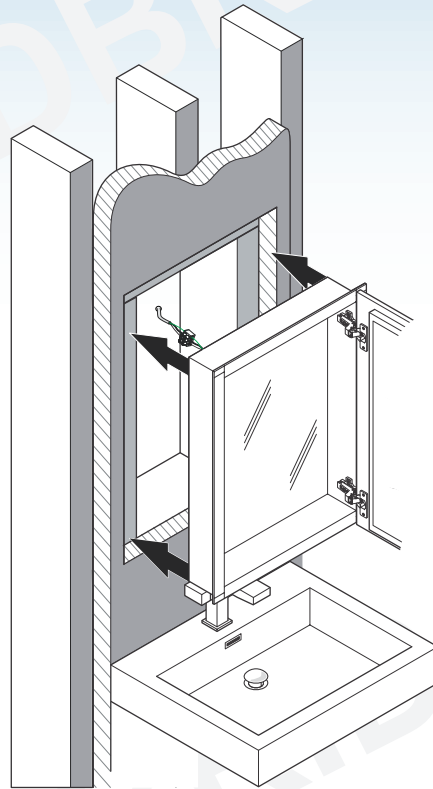
1. Place the medicine cabinet on the desired mounting location, make sure cabinet door is cleared from any obstacles and provide minimum 3" (76mm) clearance from the faucet and light fixture. Draw the perimeter of the medicine cabinet on the wall with pencil



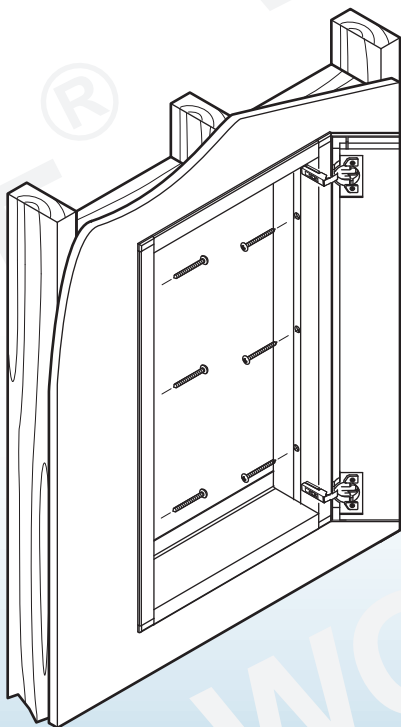
2. Cut out marked perimeter with appropriate tool or utility knife.



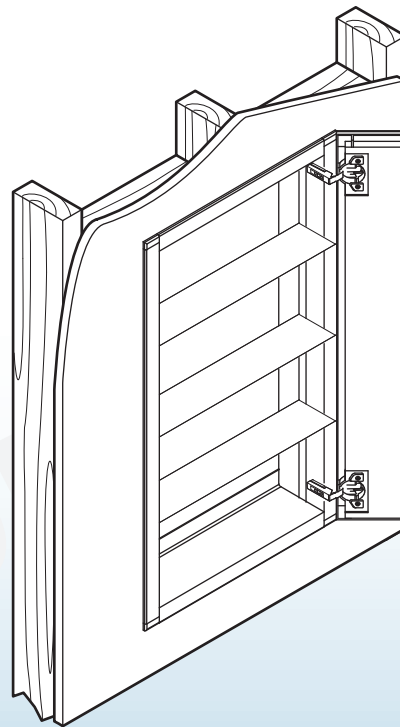
3. Frame the cut out opening with wood.



4. Hook up all the wire connections per wiring Diagram (Refer to Electric connections) and slide the entire medicine cabinet into the wall frame.

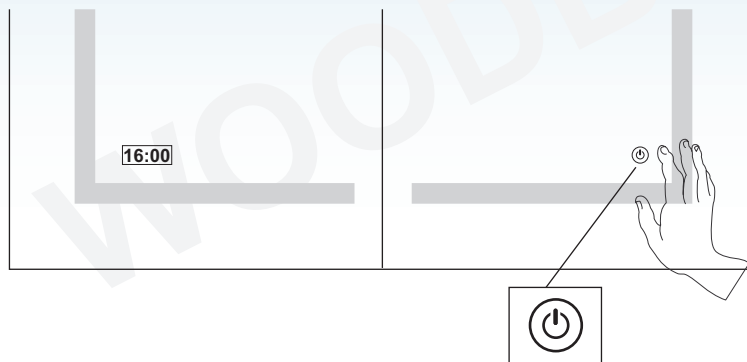


5. Level then screw the cabinet into the wall frame studs



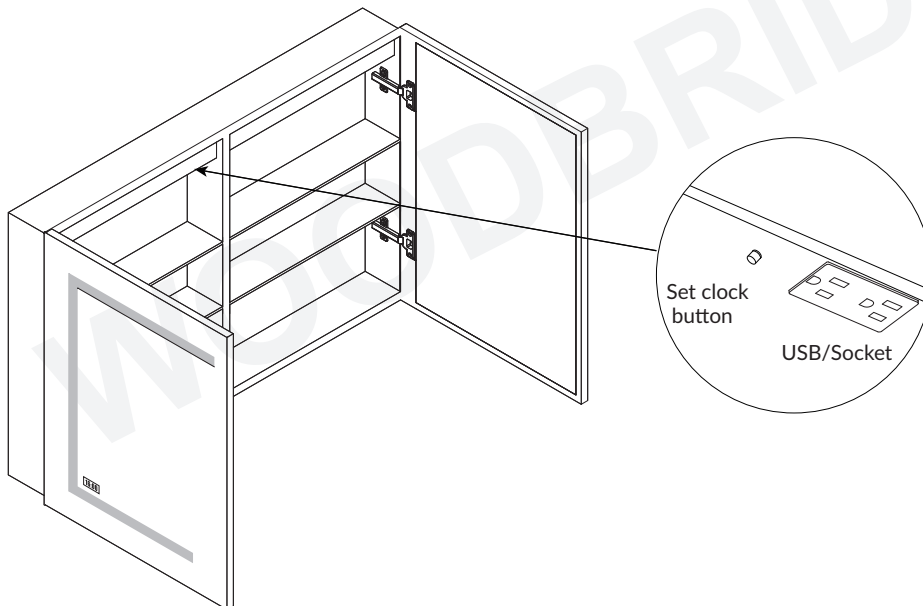
6. Adjust the shelf height and tighten the screws

## Instruction for operating three keys lighted mirror



Operating one key lighted mirror cabinet.

- (1) Double fast tap the POWER button key (0.5s) to turn ON/OFF the LED light and Heat Pad.
- (2) When light is ON, single tap the button to choose the light color: 4000K (natural) - 5000K (cold white light) - 3000K (warm yellow light)
- (3) Hold press to dim the light.



Time setting for lighted mirror and mirror cabinet.

- (1) Hold press the Set clock button for 5 seconds until the Digital Hour display starts to blink, press the button to set the HOURS.
- (2) 5 seconds after HOURS was set, the MINUTES display will blink, press the button and to set the minutes.
- (3) The blink will stop 5 seconds after MINUTES was set. The entire setting is now completed

**Thank you for using WoodBridge products!**

Please don't hesitate to contact us if you have any questions or concerns.

Customer Service Phone: 562-229-0088. (Monday - Friday 9 AM - 5 PM Pacific Time)

Or Email: [help@woodbridgebath.com](mailto:help@woodbridgebath.com)