

# WOODBIDGE<sup>®</sup>

## INSTALLATION AND CARE GUIDE

### MODERN ALCOVE BATHTUB

**B1531R/BTA1531R**

**B1532L/BTA1532L**

Compliance with the following codes & standard:

- 2015 Uniform Plumbing Code<sup>®</sup> (UPC)
- 2018 International Plumbing Code<sup>®</sup> (IPC)
- 2018 International Residential Code<sup>®</sup> (IRC)
- CSA B45.5 / IAPMO Z124-2017- Plastic Plumbing Fixtures



**READ ALL INSTRUCTIONS BEFORE UNPACKING THE PRODUCT**

INSTRUCTIONS THAT, IF IGNORED COULD RESULT IN DEATH OR SERIOUS INJURY CAUSED BY INCORRECT HANDLING OR INSTALLATION OF THE PRODUCT. THESE INSTRUCTIONS MUST BE OBSERVED FOR SAFE INSTALLATION.

**CAUTION!**



**TWO PERSON LIFT REQUIRED**

**2 PEOPLE ARE REQUIRED TO LIFT AND DURING ENTIRE INSTALLATION OF THIS PRODUCT**

This products must be installed by a fully insured and licensed plumber only. Installation of any our product by anyone other than fully insured and licensed plumber shall void limited warranty. We recommends that such licensed plumber have experience in the installation of products.

Limited warranty is void on any commercial installation

We are not responsible for local code compliance for this product. Building and plumbing codes may vary from state-to-state in accordance to your location. We are not responsible for providing any compliance certifications.

Under no circumstances we are shall not be liable for any and all incidental damages sustained in connection with this product

Neither manufacture, nor distributor, nor retailer is responsible for water damage or flood caused due to use of this product.

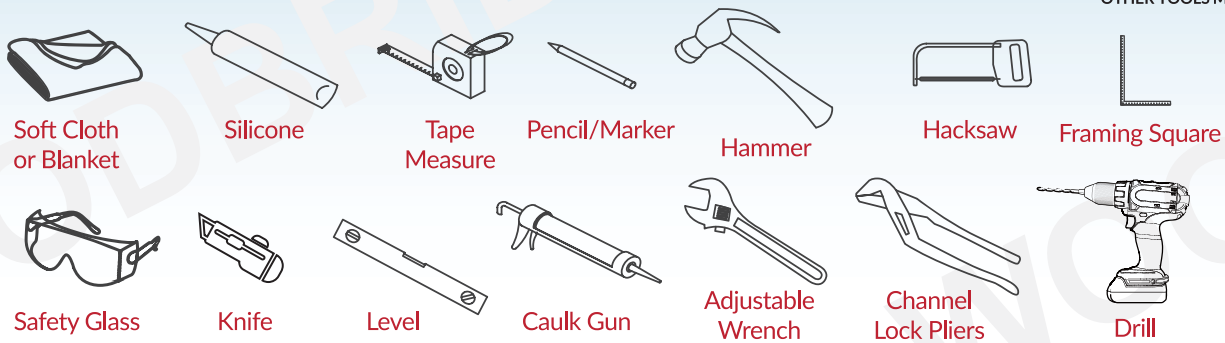
Under no circumstances We shall not be liable for any and all fees, cost of installation/reinstallation/removal, subsequent damage or transportation in case of the product defect

Customer Service Phone: 562-229-0088. (Monday - Friday 9 AM - 5 PM Pacific Time)

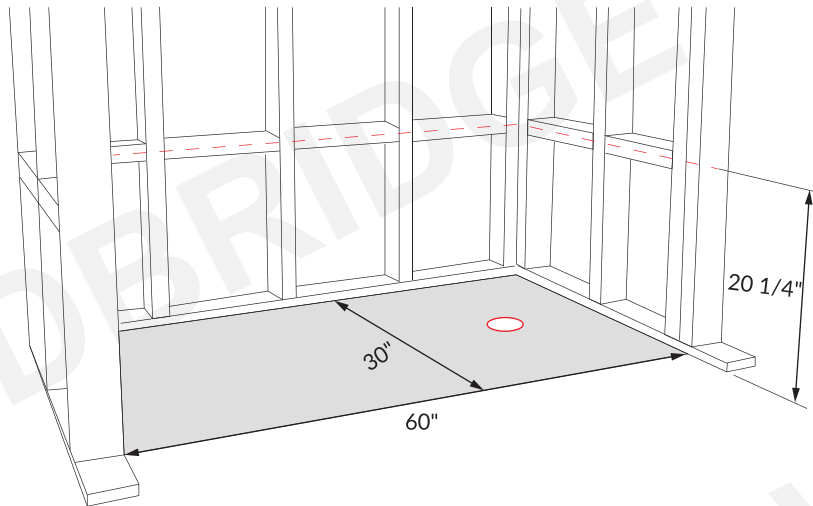
Or Email: [help@woodbridgebath.com](mailto:help@woodbridgebath.com)

## TOOLS REQUIRED FOR INSTALLATION (NOT INCLUDED)

OTHER TOOLS MAY BE REQUIRED



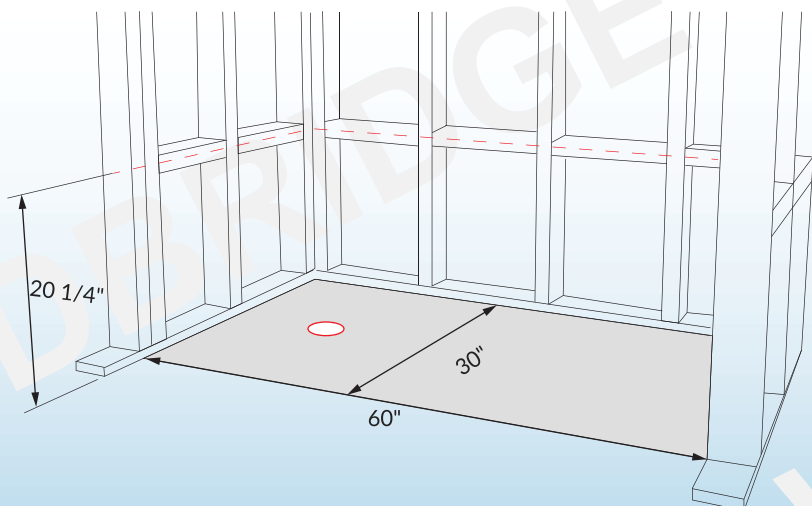
First ensure that the subfloor is level.  
If needed, level subfloor with leveling compound or mortar over the entire area of installation.



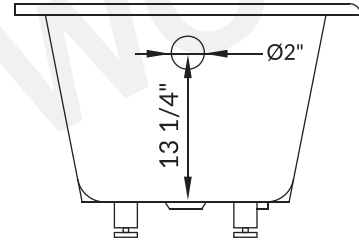
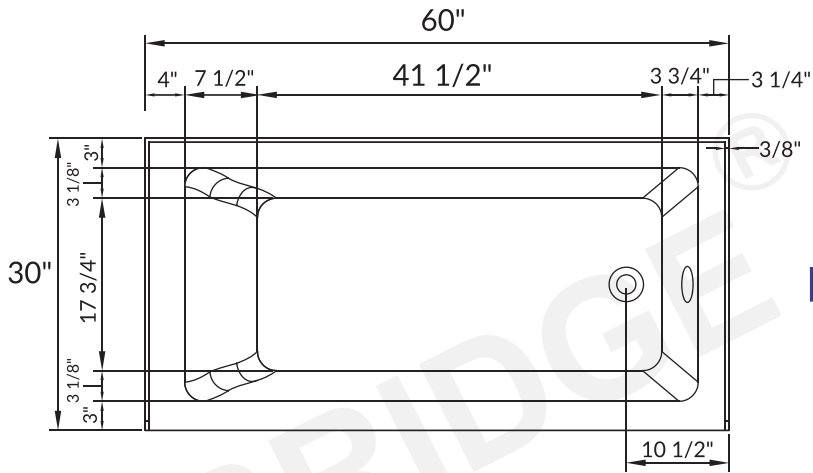
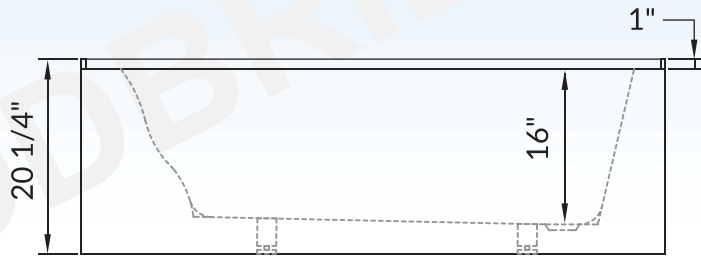
**B1531R/BTA1531R**

Cut subfloor to accommodate plumbing in compliance with local plumbing and building code. Verify your bathtub for final dimensions.

Position bathtub. Verify that the draining pipe location matches the actual location of the bathtub drain. Remove the bathtub.

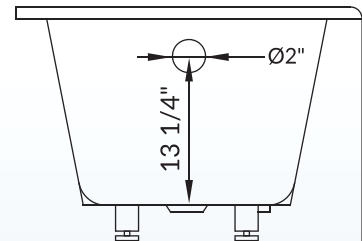
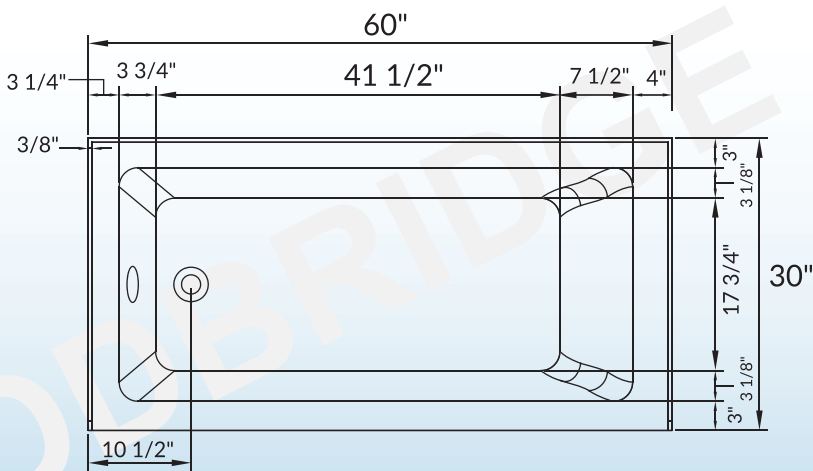
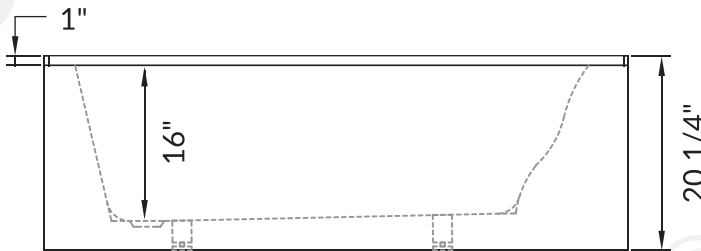


**B1532L/BTA1532L**

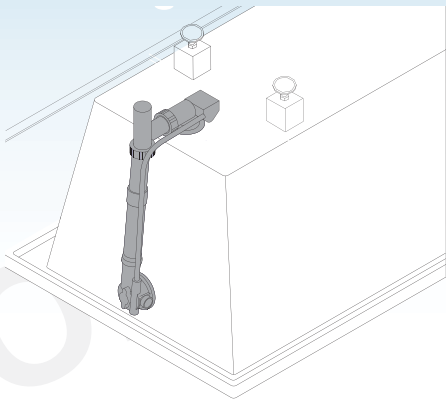


**B1531R/BTA1531R**

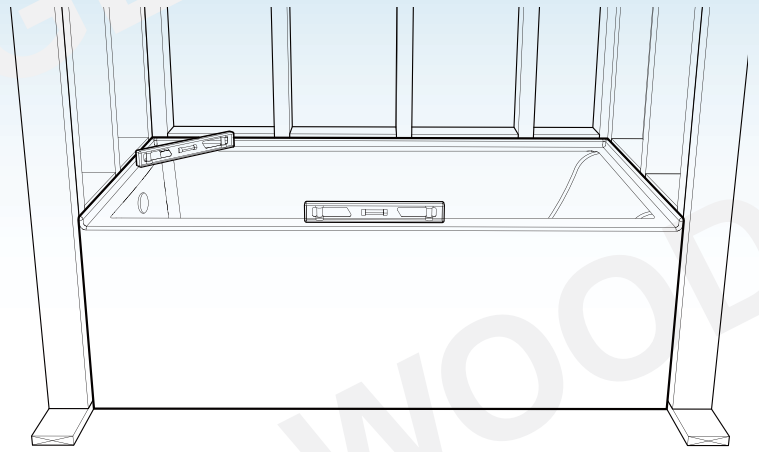
Tolerance on dimensions:  $\pm 1/2"$



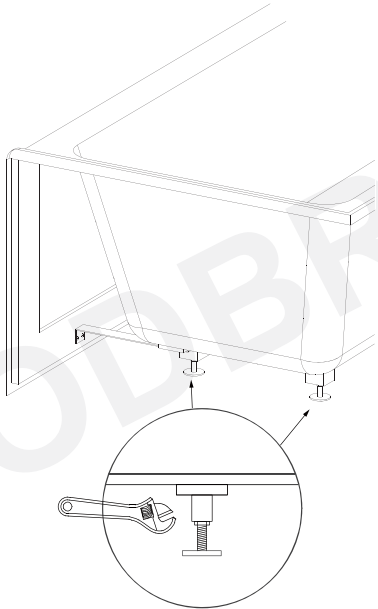
**B1532L/BTA1532L**



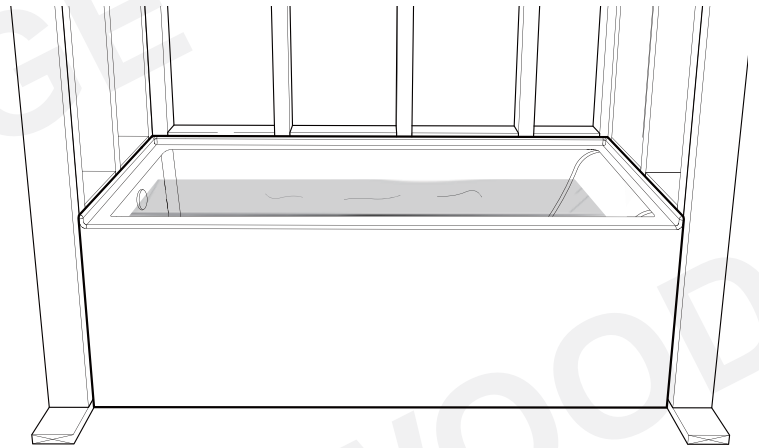
Connect tub waste and overflow.  
(not provided waste and overflow)



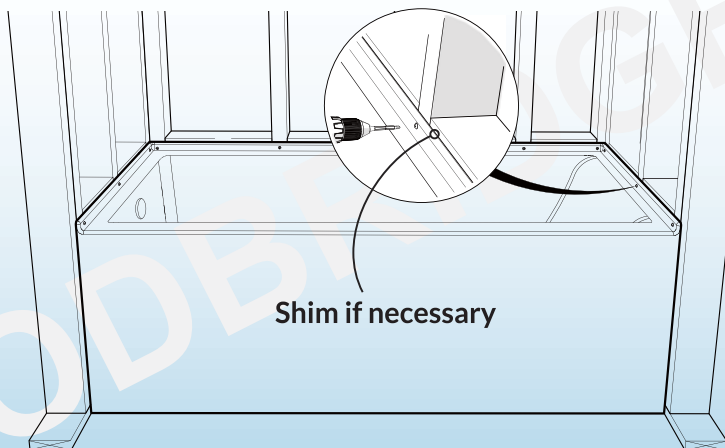
The bathtub can be leveled by adjusting the feet.  
Check your adjustment with a level



Lock the adjustment by tighten  
the hexagon nut.

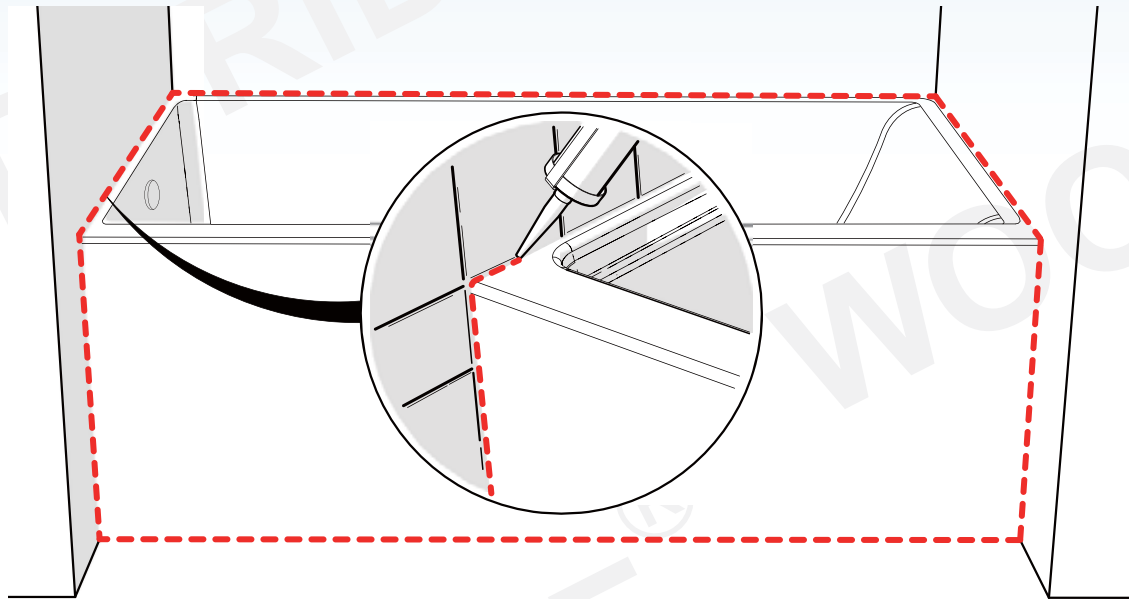


The bathtub must be tested before installation is  
completed. Fill the tub to the overflow and inspect  
it for leaks. Tighten any loose connections.

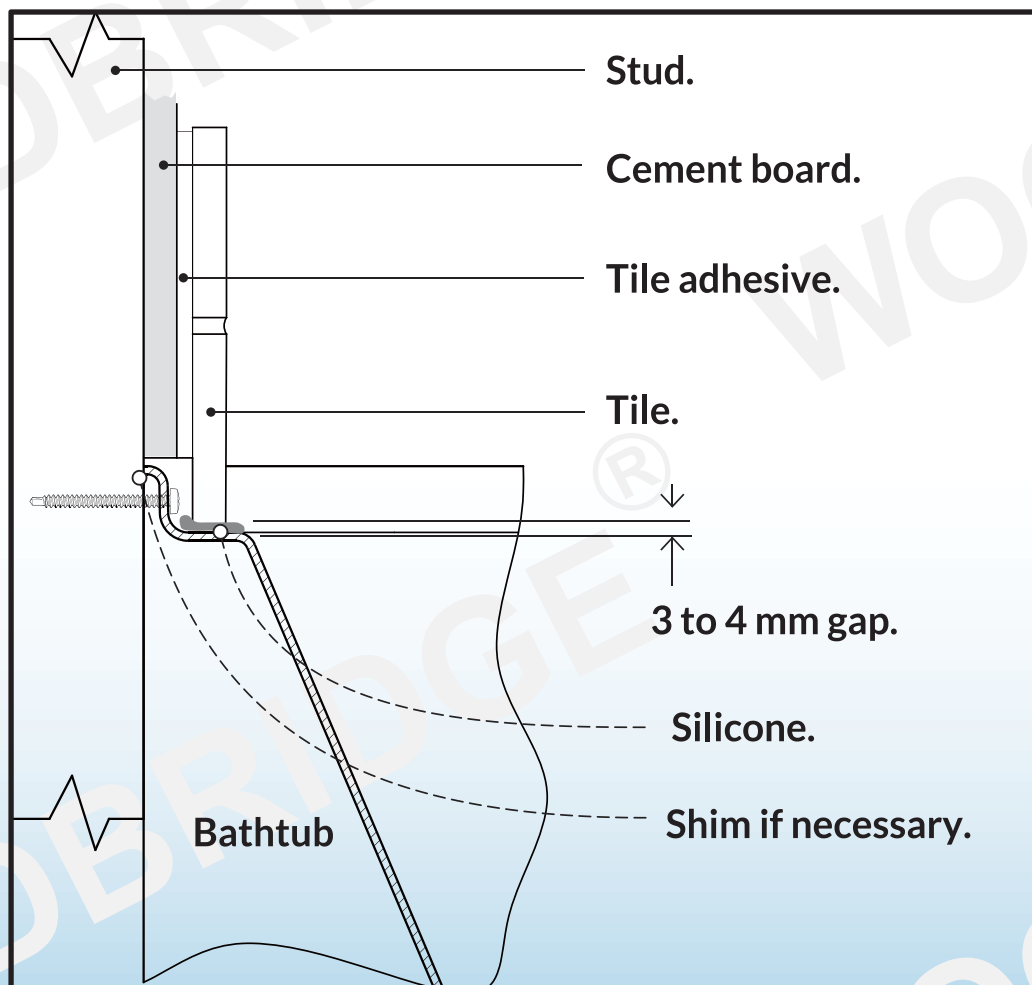


Fasten bathtub to studs framing.

Apply silicone sealant to seal the joints between the bathtub rim and the finished wall.



Reference for Correct Tile Flange Installation . Use drawing below as a reference guide for rough-in measurements.



NOTES

---



---



---



---



---



---



---



---



---



---



---



---



---



---

INSTALLER INFORMATION

DATE OF INSTALL:

INSTALLER'S NAME:

PLUMBER:

CONTRACTOR:

LICENSE #:

## IMPORTANT SAFETY RULES

**ATTENTION!** ALWAYS FOLLOW THESE PRECAUTIONS WHEN USING A BATHTUB

- Warning** The bathtub must be installed and used as described in this manual
- Warning** Use caution when entering or exiting the bathtub
- Warning** Do not permit children or persons with infirmities to use the bathtub without supervision of an adult
- Warning** People using any medications or having adverse medical history must consult a physician prior to use of the bathtub to avoid potential hyperthermia and possible drowning
- Warning** Water temperature over 100°F may cause hyperthermia and/or other health problems. Check water temperature and adjust it for your personal comfort
- Warning** Never use bathtub while intoxicated, after taking meals or any alcoholic beverages. Consuming alcoholic beverages before or during bathing will cause drowsiness and may result in hyperthermia, loss of consciousness, or even drowning
- Warning** If you are pregnant or you feel that you are may be pregnant, consult your doctor before using the bathtub
- Warning** Never use any electrical devices such as hair dryer, lamp, telephone, tv, radio, or others within 5 feet of the bathtub
- Warning** Do not overfill the bathtub before entering. Entering the bathtub when filled will cause overflow and slippery conditions. Use extreme caution when entering and exiting

## Care and Cleaning

- Most dirt will wash off with mild soap and warm water.
- For tough spots, use liquid dish washing soap or non-chlorine bleach.
- Do not use abrasive material such steel wool or scouring pads to clean the acrylic surface.
- Always test the cleaning solution on a small area before using it on the entire surface.
- Do not allow cleaning to soak on the acrylic surface.
- Rinse thoroughly with water immediately and wipe dry with soft cloth.

## Repair and Maintenance

- Use liquid polish compound such as Gel-Gloss Kitchen and Bath Polish(TM) to keep the original shine of acrylic surface.
- Light scratches can be removed with polishing compound for automobiles.
- For deeper scratches use wet sandpaper (1500 grit or higher). Always add water when sanding and lightly sand the area larger than the scratch in a circular motion to remove the scratches. Repeat until the scratch is removed. Use soft cloth and small amount of polishing compound to restore shine. Repeat as needed until surface shine is restored.

### IMPORTANT!

**DO NOT USE:** Abrasive cleaners such as: acid, ammonia, bleach, and similar solutions. Use of such solutions may cause corrosion, finish peeling, and/or dull the surface.

**DO NOT USE:** Abrasive sponges or cloth. Never use steel, wool, or wired brushes that will permanently scratch the surface.

**Retain these installation instructions for future reference!**

Thank you for using WoodBridge products!

Please don't hesitate to contact us if you have any questions or concerns.

Customer Service Phone: 562-229-0088. (Monday - Friday 9 AM - 5 PM Pacific Time)

Or Email: [help@woodbridgebath.com](mailto:help@woodbridgebath.com)

[www.woodbridgebath.com](http://www.woodbridgebath.com)



SCAN ME