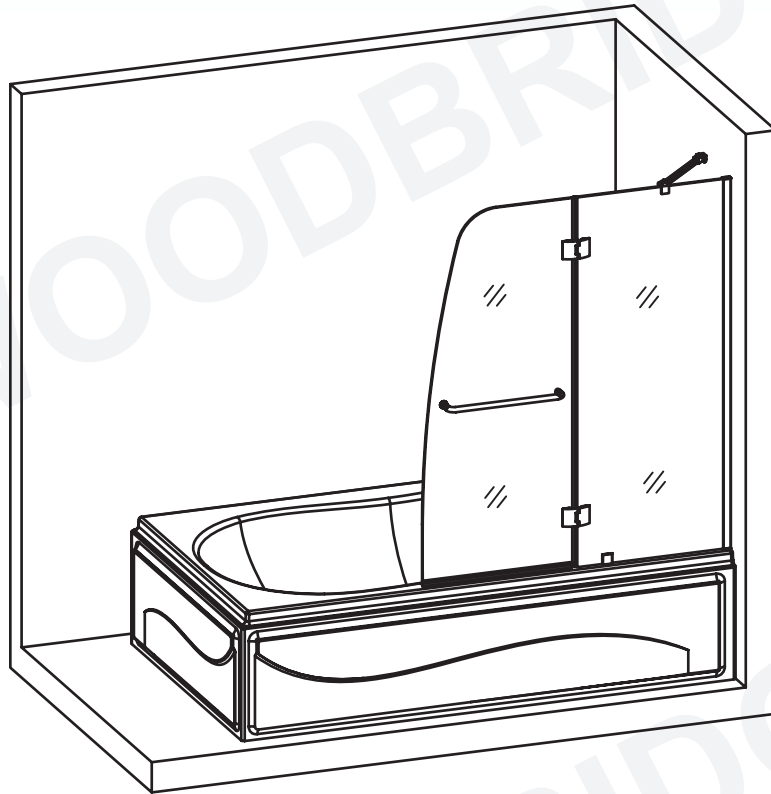


INSTALLATION MANUAL

WOODBIDGE[®] BATHTUB DOOR



TUB DOORS:
MTDB4958

IMPORTANT!

WOODBIDGE reserves the right to alter, modify or redesign products at any time without prior notice for the purpose of product improvement and customer experience. Please refer to WWW.WOODBRIDGEBATH.COM for the latest product details.

Questions?

Please Call Customer Support: 562-229-0088. (Monday - Friday 9 AM - 5 PM Pacific Time)

Or Email: help@woodbridge.com

20200307 REV. 3

IMPORTANT

- WoodBridge reserves the right to alter, modify, or redesign products at any time without prior notice for product improvement or functionality.
- Professional installation required. This product should be installed by someone experienced with the construction requirements for this type of project, the care necessary to responsibly and safely install, and familiarity with glass installation.
- The safety of all installations is the responsibility of the installer who should be licensed and bonded.
- To prevent breakage and injury, do not attempt to lift, move, or install the glass alone. Use an assist and suction cups intended for heavy glass when applicable.
- To prevent breakage and injury, do not lean or push against glass panels.
- The installation of this model requires drilling into the dam/curb/threshold to properly affix the clip, guide, and threshold. Contact the manufacturer of your base, or tub with any questions regarding drilling into their product, or consult your installation professional.
- This model requires minimum 3" dam/curb/threshold width to complete installation.
- Drawings included in this manual are illustrative only and do not reflect actual scale.
- No out of plumb adjustment.
- Glass cannot be installed if the overall width of the shower opening is greater than the width as described for the product.

WARNING FOR TEMPERED GLASS: TO AVOID RISK OF DAMAGE OR INJURY

- Tempered safety glass is designed that when broken, will shatter into thousands of tiny pieces, greatly reducing the chance of great bodily harm.
- Follow all requirements and recommendations in the instruction manual.
- Perform a thorough inspection of the glass and hardware for any damage prior to installation.
- Do not install damaged glass.
- Do not install or operate if glass panels have chipped corners, slivered edges, or any other visual defect. If damage is found contact WoodBridge immediately. If installed in this state WoodBridge is not responsible for any breakage.
- Do not install glass panels that have been dropped on, or bumped into any surface harder than itself.
- Improper handling may cause breakage.

While incredibly resistant to direct impact, corners and edges are the most susceptible to damage, causing breakage. These edges should be protected and handled with care, never allowed to come into contact with any material harder than itself, such as tile, stone, metal, or even other glass. A concentrated point of impact or contact with such material can cause the glass to shatter. Tempered glass may release all at once, or partially, releasing hours or even days later with vibration and normal use.

- Incorrect installation of the hardware, rollers, stoppers, or glass may cause breakage.

Improper installation would include loose hardware, or lack of gaskets between hardware and glass. Installing out of level or plumb causing extra stress could

• Improper use of the product.

Do not place towels or anything else over guide rail. Aggressively opening or closing the slider may cause trauma to the glass which could lead to breakage.

• Do not attempt to cut tempered glass.

• Always wear safety equipment such as goggles, work gloves, proper footwear etc... during installation.

• Instruct homeowner on how to conduct periodic inspections and how to properly maintain the glass and all hardware.

• Consideration should be given when installing tempered glass products in households with young children or elderly.

PREPARATION

• Thoroughly read the instructions before installing or using the product.

• After boxes and packages are open, before installation, check that all items from the parts list are there by marking each one off the list.

• Examine the glass and parts for defects or damage.

• Please note that Woodbridge will not replace any missing or damaged items free of charge after 5 business days or if the product has been installed.

• Building codes vary by location and you should refer to your local building codes when installing. WoodBridge is not responsible for code compliance and will not accept returns on that basis.

• Prior to installation ensure that all surfaces are smooth and even. Ensure the dam/curb/threshold is level side to side and that it has slope/fall in the direction of the shower pan. Ensure the walls are plumb and the opening measures the same top and bottom. Ensure that the installation surface is solid and able to support the weight of the doors.

• Please note that irregular installation surface, round lower corners, or out of plumb walls will result in serious problems for your installation.

• Some adjustments and drilling/screwing will be necessary throughout installation.

• Woodbridge shower doors are not designed to be installed on fiber glass surrounds that have round lower corners or lack of solid mounting surface.

• Glass must never be set down directly on any hard surface. Always use pieces of wood or thick cardboard to protect lower edge at all times. Leave corner protectors in place until it is time to remove them

Important Note

Attention:

These Woodbridge shower doors include **SHATTER-SAFE** protective film on the side of the glass without the certification information printed on it, see the fig 1 & 2.

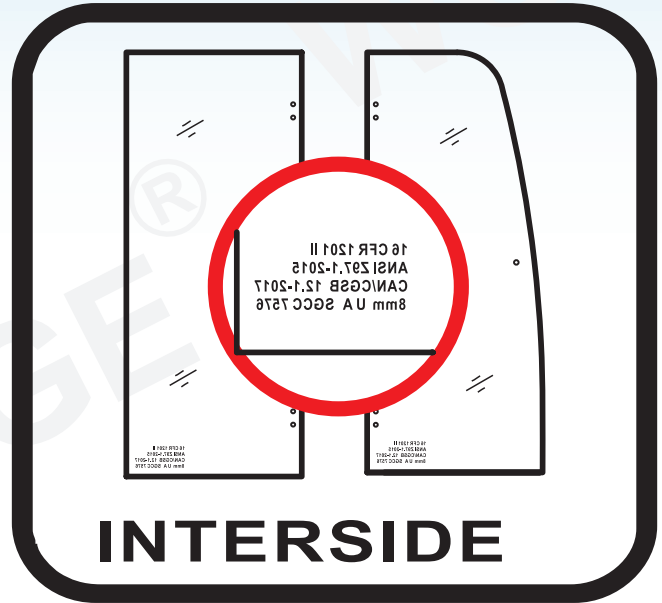


Fig 1

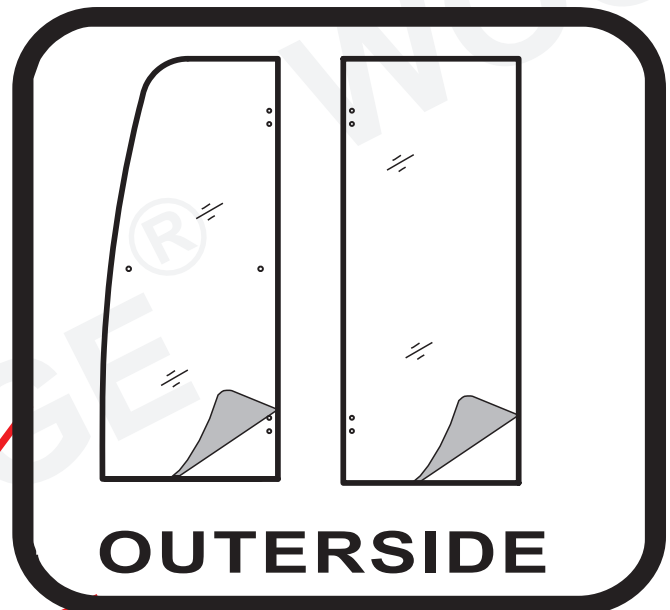
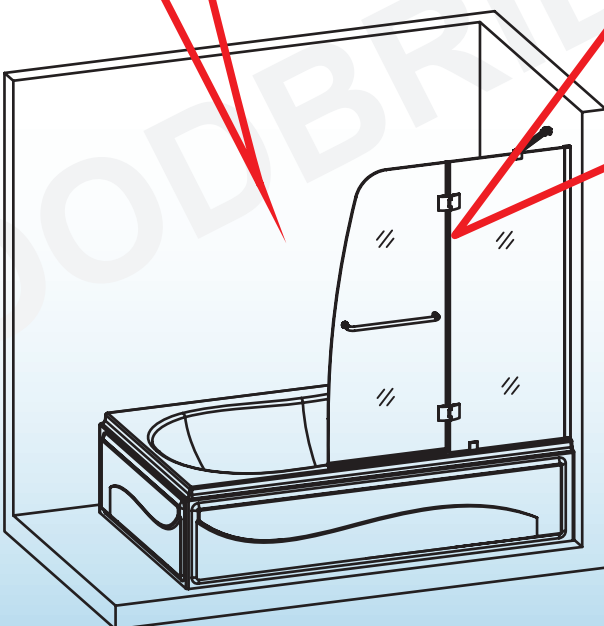
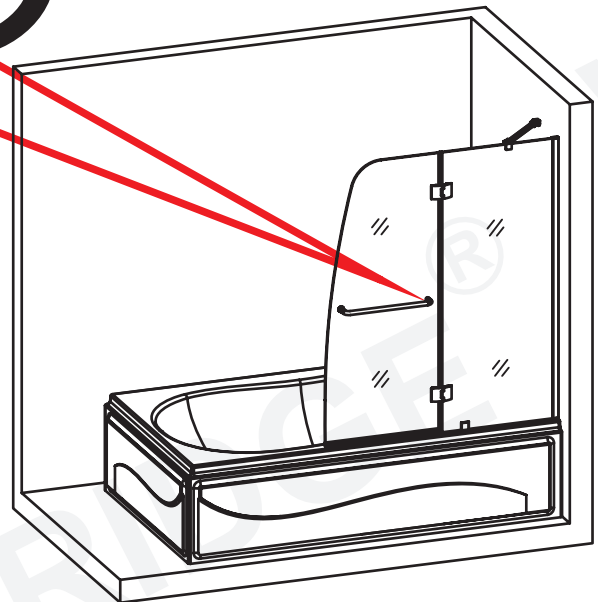
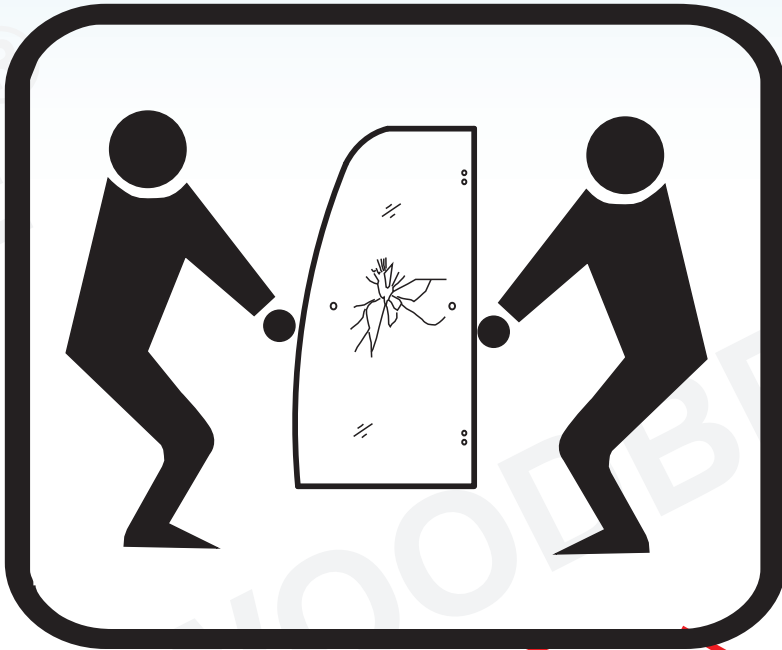


Fig 2

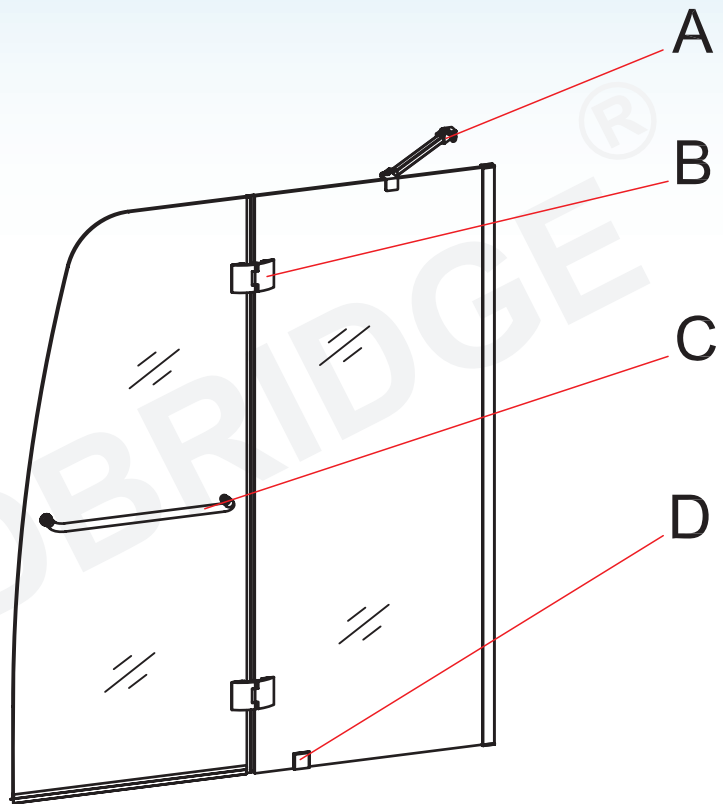


SHATTER-SAFE protective film helps to hold glass in place in the event of breakage. Allowing the panel to be carefully removed by a professional at a later date.



In the event of breakage please follow the steps below.

- 1. If someone is inside the shower, move the panel slowly out of the way and exit the bathroom as soon as possible. Do not allow anyone to re-enter bathroom until prepared to remove and dispose of broken panel.***
- 2. Utilize safety precautions such as a hard-hat, safety glasses, leather gloves, proper footwear and moving blankets to minimize risk of injury.***
- 3. It is recommended that two people assist in the removal of the panel. One person to hold panel steady, and the other to un-install the hardware. Then carefully remove glass from shower and lay flat on cardboard or plywood until it can be removed. Once laying flat a razor knife or box cutter can be utilized to cut the film and remove in smaller pieces.***



**IMPORTANT INFORMATION
REGARDING THE INSTALLATION
OF THIS SHOWER DOOR**

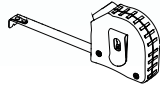
A. U-channel must be firmly attached to the wall. Installation into a stud is strongly recommended. All of the hinge set screws must be accessible and tightened.

B. Bulb Vinyl Seal must be installed correctly per installation steps.

Tools



Level



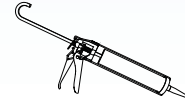
Tape Measure



Pencil



Phillips Screwdriver



Silicone



Power Drill



Drill Bit
Ø1/8"
(3mm)



Drill Bit
Ø3/16"
(4mm)



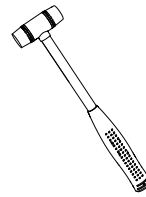
Drill Bit
Ø1/4"
(6mm)



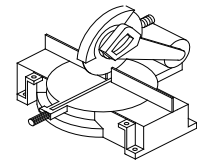
Drill Bit
Ø5/16"
(8mm)



Drill Bit
Ø3/8"
(10mm)



Soft Head Hammer



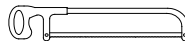
Miter saw



Safety Glasses



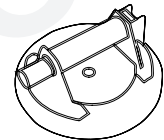
Work Gloves



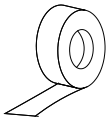
Hacksaw



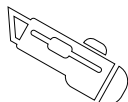
#3 Phillips Driver Bit



Professional-grade Glass suction cup



Painter's Tape



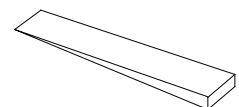
Razor Knife



Extender Driver Bit



Soft Cloth or Blanket



Soft Wood Shim

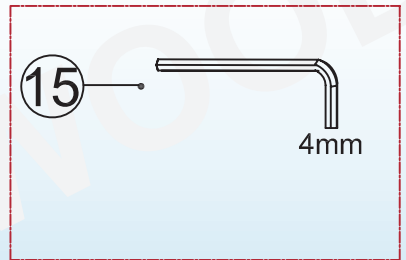
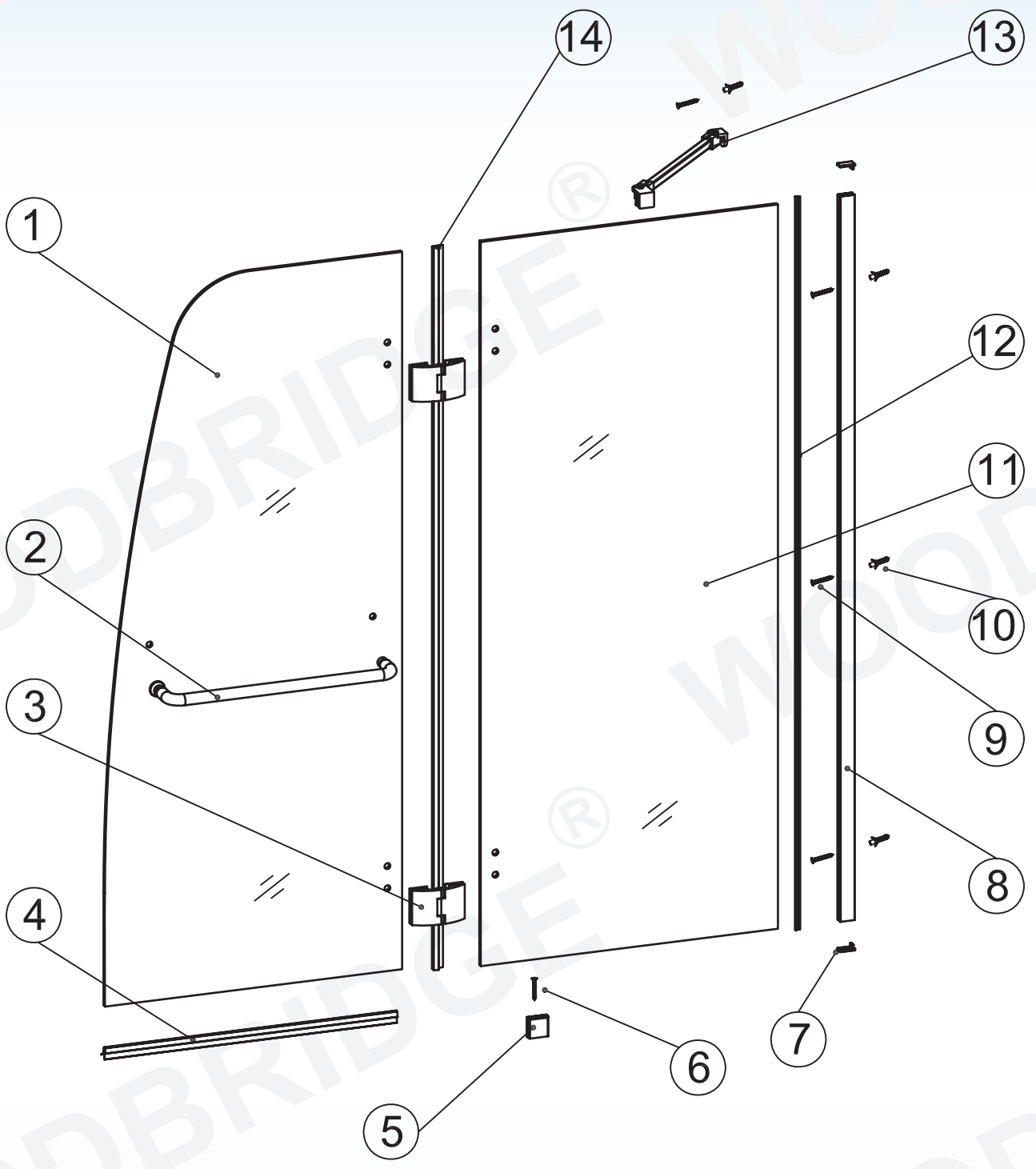


INSTRUCTIONS THAT, IF IGNORED COULD RESULT IN SERIOUS INJURY OR DEATH CAUSED BY INCORRECT HANDLING OR INSTALLATION OF THE PRODUCT. THESE INSTRUCTIONS MUST BE OBSERVED FOR SAFE INSTALLATION!

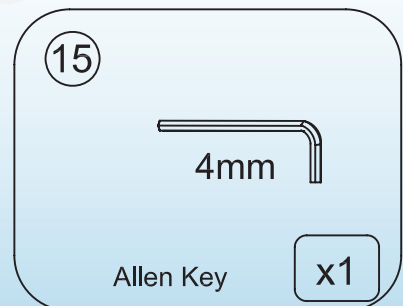
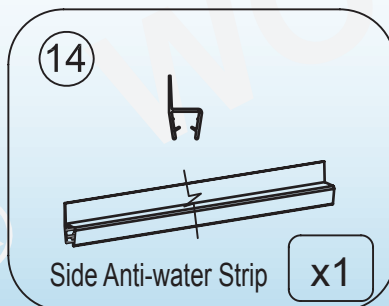
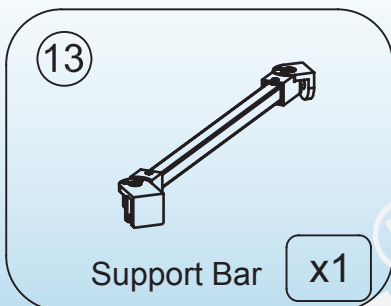
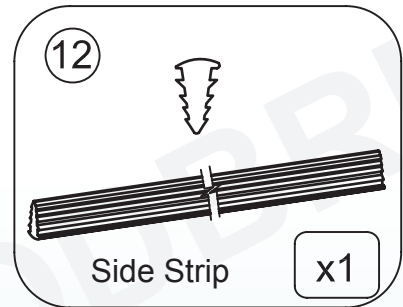
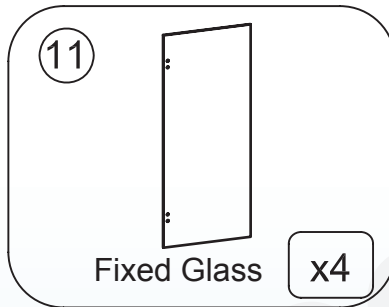
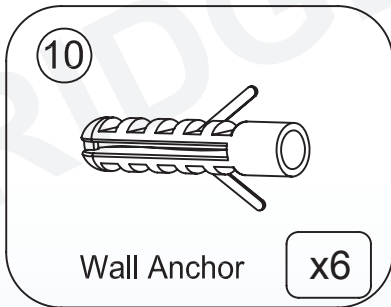
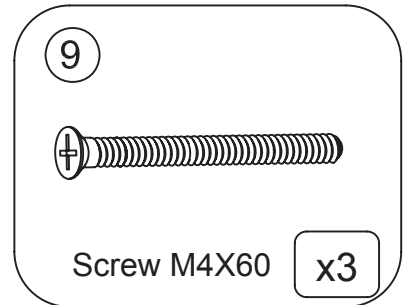
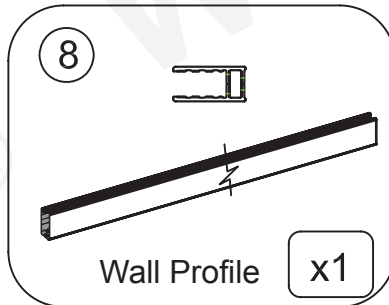
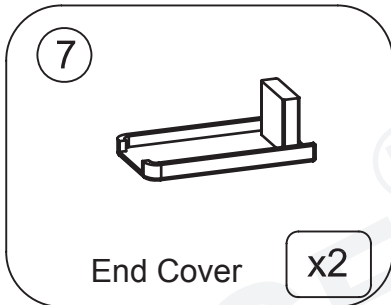
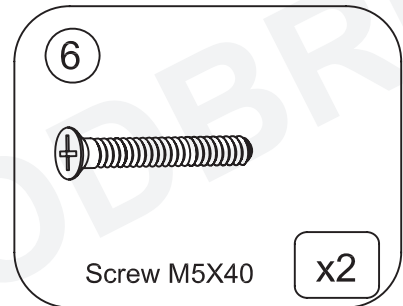
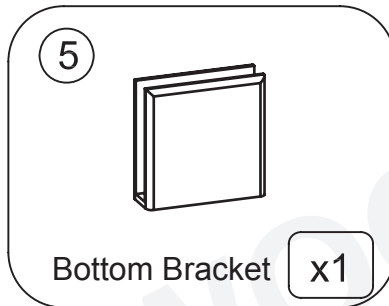
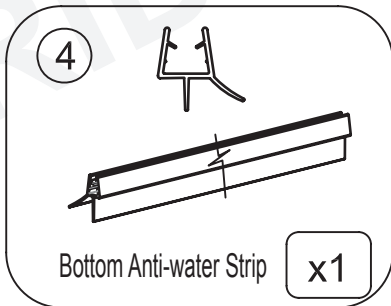
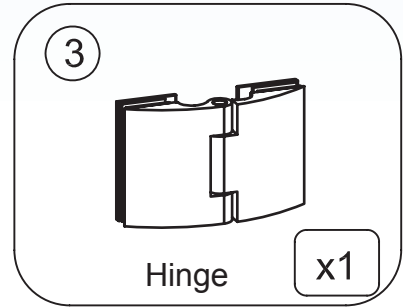
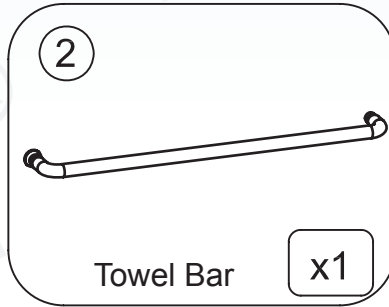
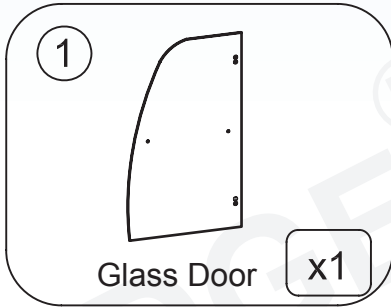
LICENSED AND INSURED PROFESSIONAL CONTRACTOR IS REQUIRED TO INSTALL THIS PRODUCT INCLUDING ASSISTANCE OF A SECOND PERSON DURING INSTALLATION

No modifications to the product are allowed. Modifications of any types to the product will result in serious injuries or may cause death.

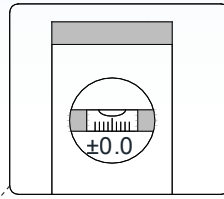
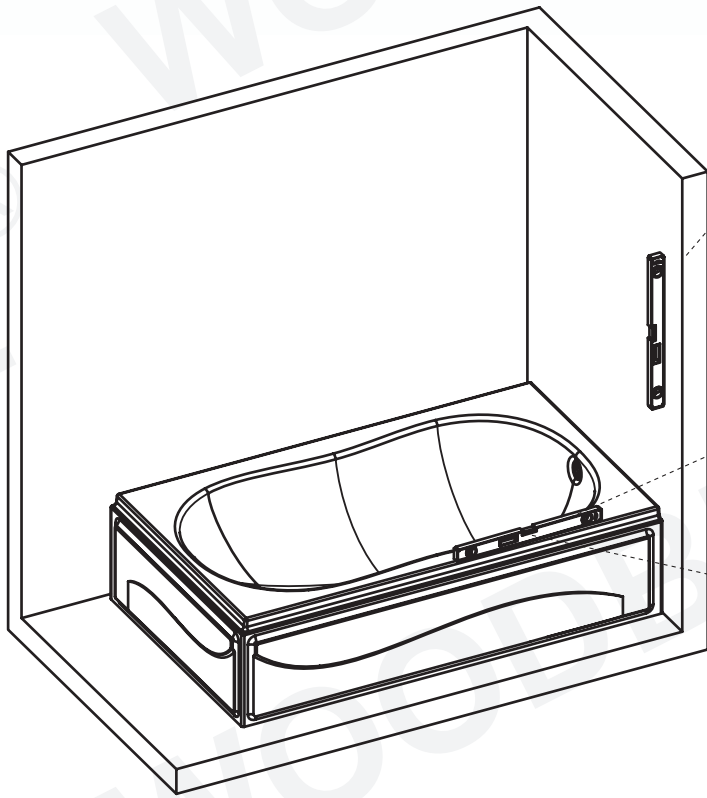
IMPORTANT: Do not install the handle on to the glass door until the instruction tells you to do so. Never lift the glass using the handle. Failure to do so will result in serious personal injury and could cause damages to the glass. Professional graded glass suction cups are highly recommended while handling extremely heavy glass. This product must be installed on a finished threshold and against finished walls only. This product is intended for residential use only.



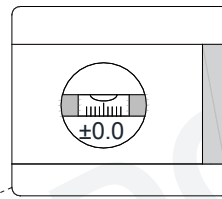
Parts List



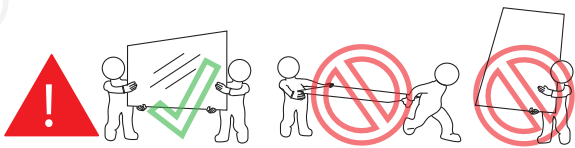
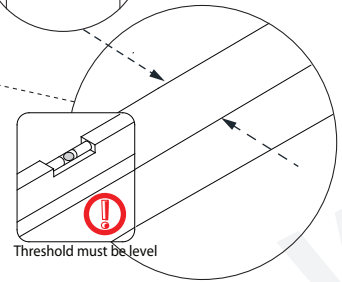
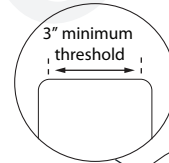
Model Specific Preparation



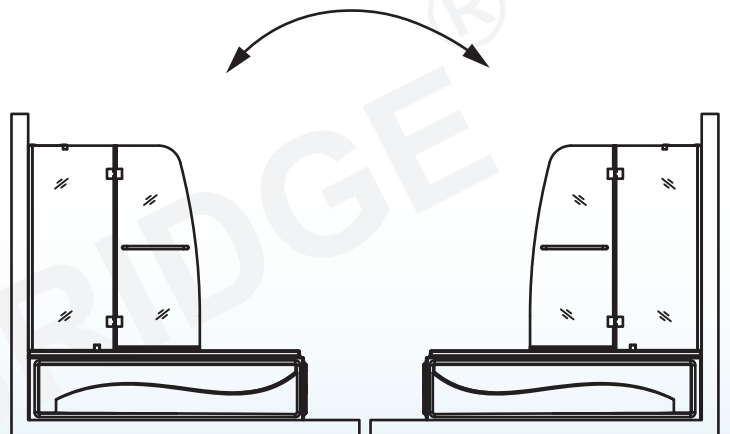
No Out-of-Plumb Adjustment; Verify threshold and walls with a level



Threshold must be level



CAUTION!  **TWO PERSON LIFT REQUIRED**



NOTE

This model is reversible for right or left-hand door installation. The right-hand door installation is shown as an example throughout this manual. For the left-hand door installation, simply begin on the opposite wall and reverse the orientation of the steps shown.

1. Verify the wall with a level and put Wall Profile (8) against the wall and level it, put End Cover (7) at the bottom of the Wall Profile. Now mark down the drill holes on the aluminum Profile.

Drill the holes to the wall per the predrilled position with 8mm (5/16") drill bit and apply silicone into the holes, insert the Wall Anchor(10). Secure the Profile to the wall with Screw M4x60 (9).

See Fig 1 for details

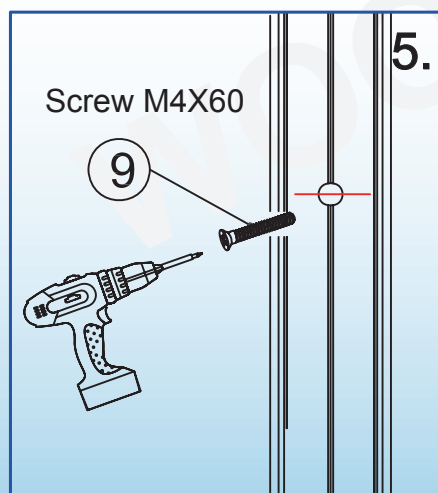
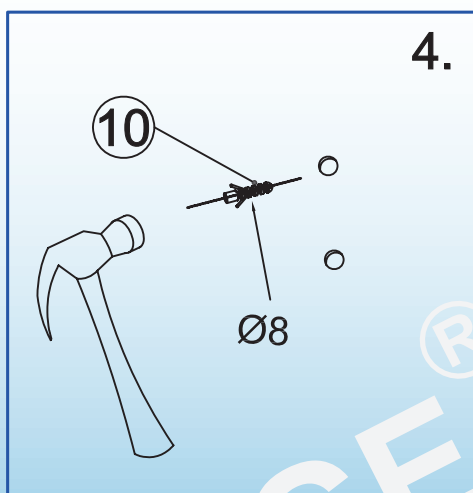
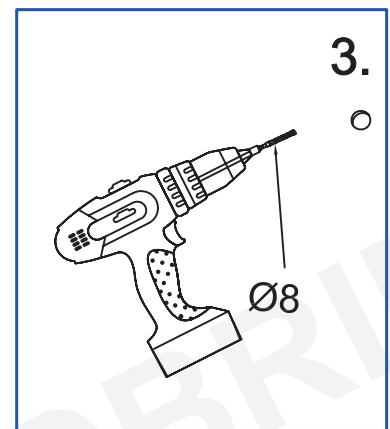
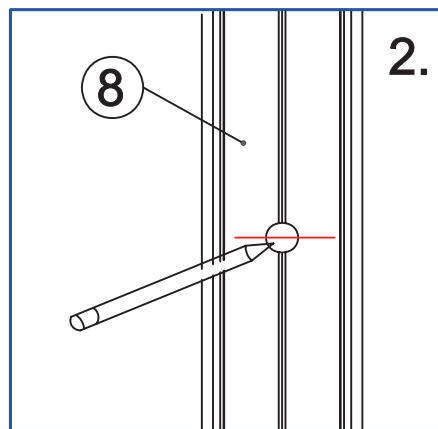
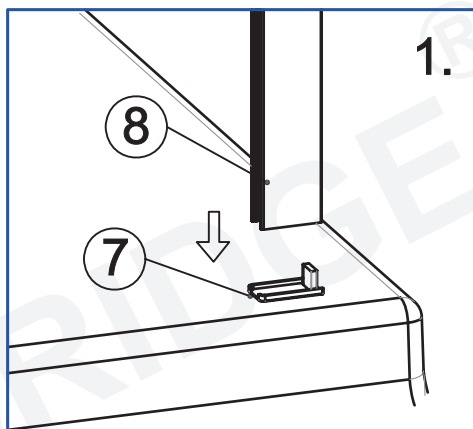
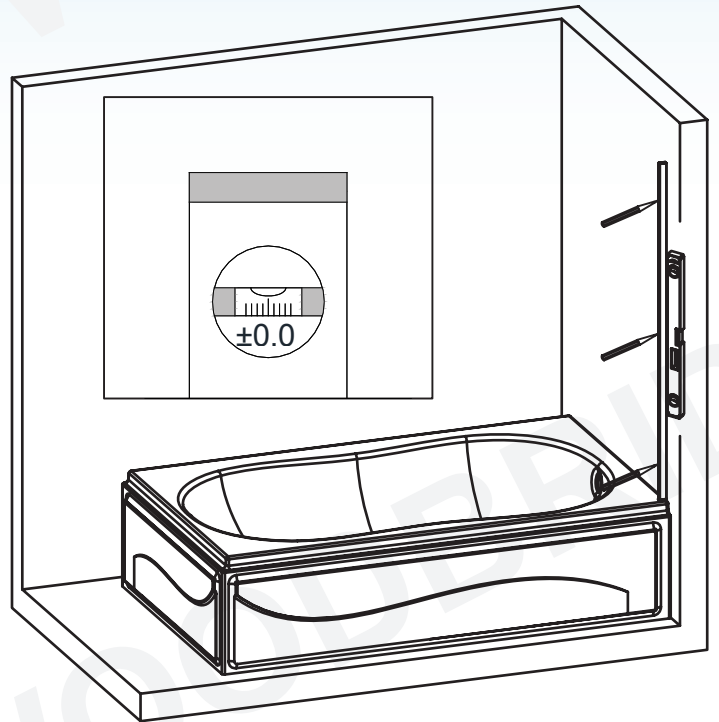
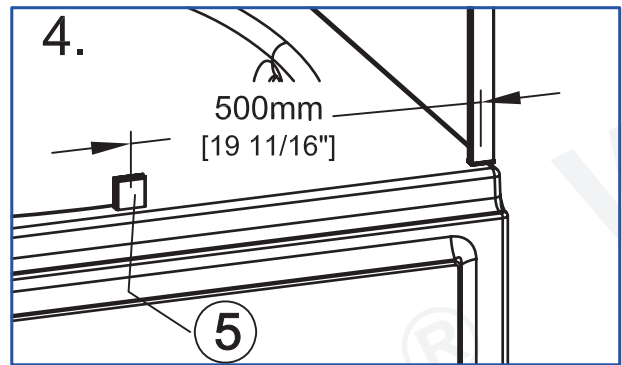
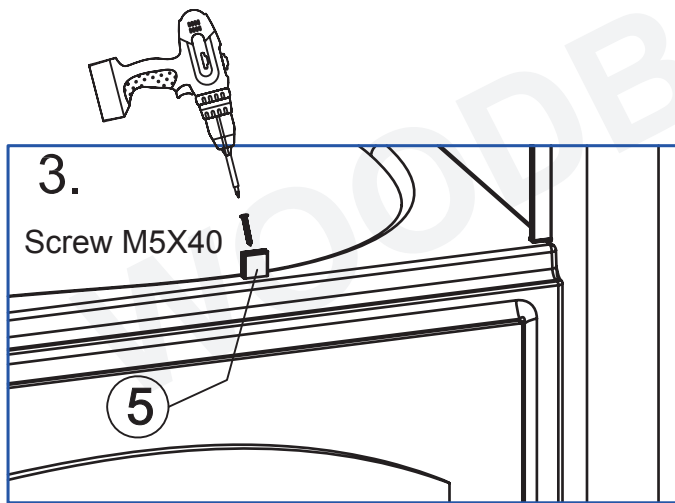
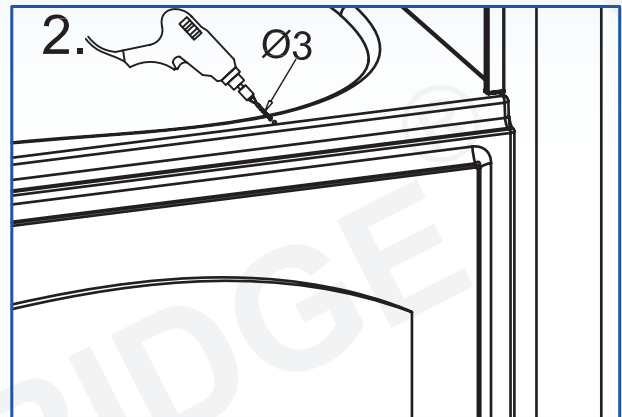
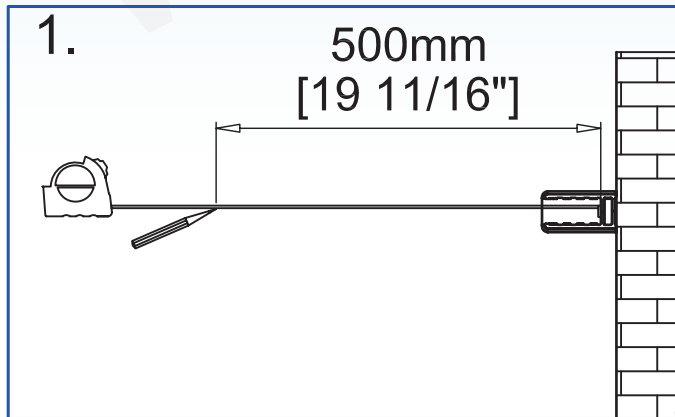


Fig 1



2. Install Bottom Bracket(5) onto Bathtub.

Mark down the clamp location on the bathtub with a measuring tape. Drill the hole to the bathtub per the predrilled position with 3mm (1/8") drill bit and apply silicone into the hole, insert the Wall Anchor(10). Secure the Bracket to the bathtub with Screw M5x40 (6).

See Fig 2 for details.

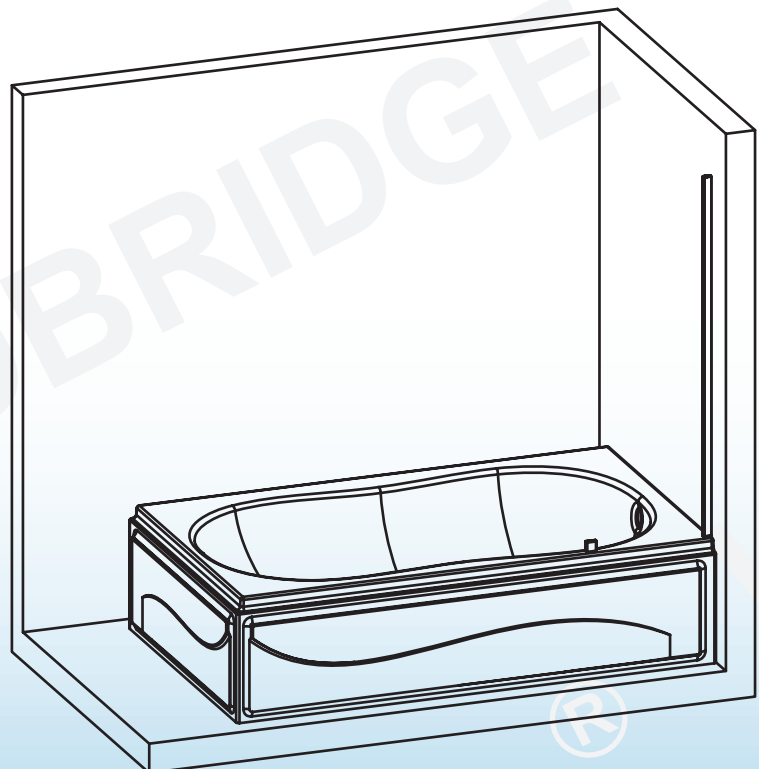


Fig 2

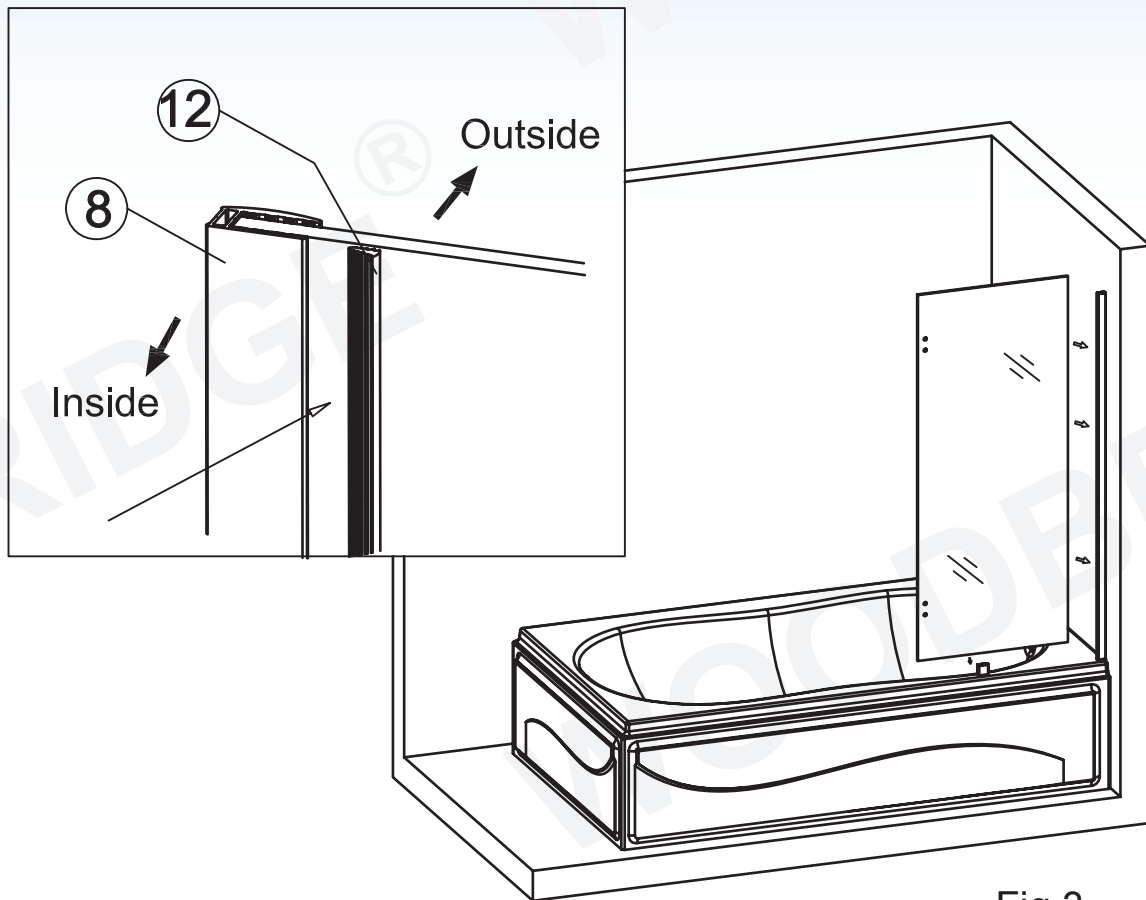
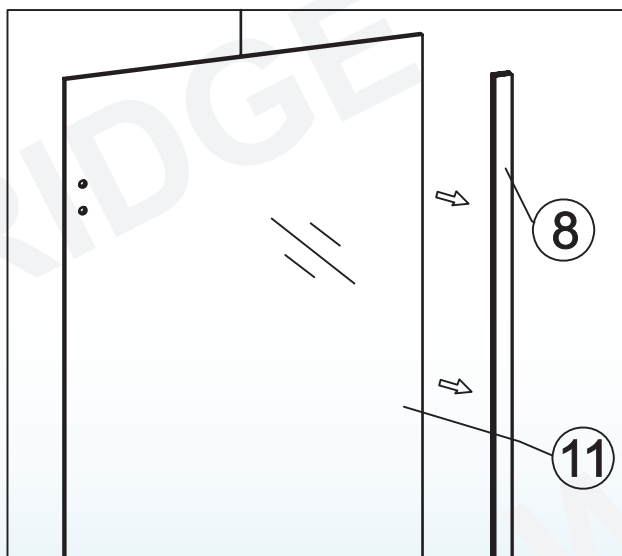


Fig 3



3. Install the Fixed Glass (11) into the slot of the Wall profile (8) and into the slot of the Bottom Bracket(5), and then put the Side Strip (12) between the Glass Door and Wall Profile.

See Fig 3 for details.

Attention: Never make any metal parts contact with the glass. Metal parts contact directly to the glass may cause glass breakage during installation or in future usage.

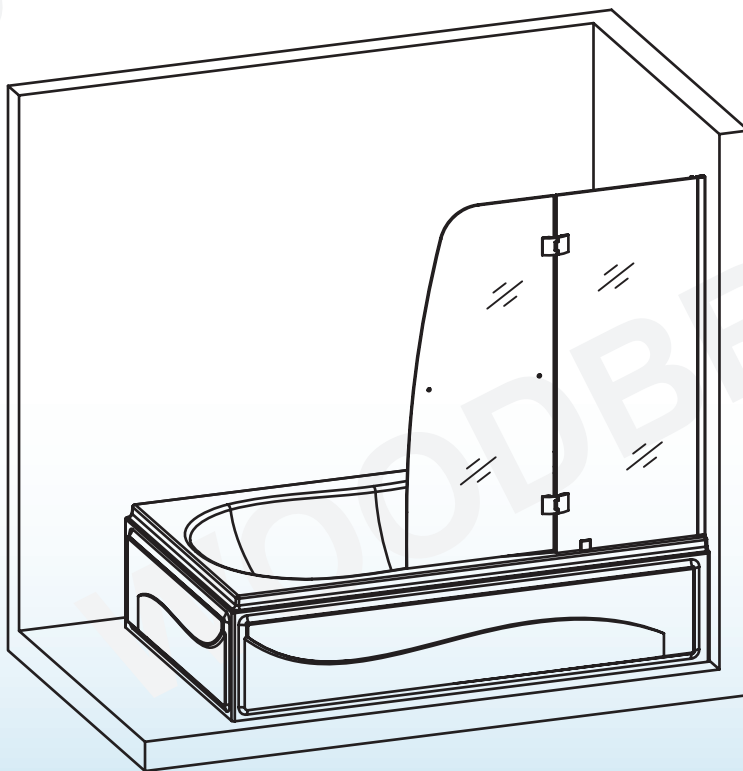
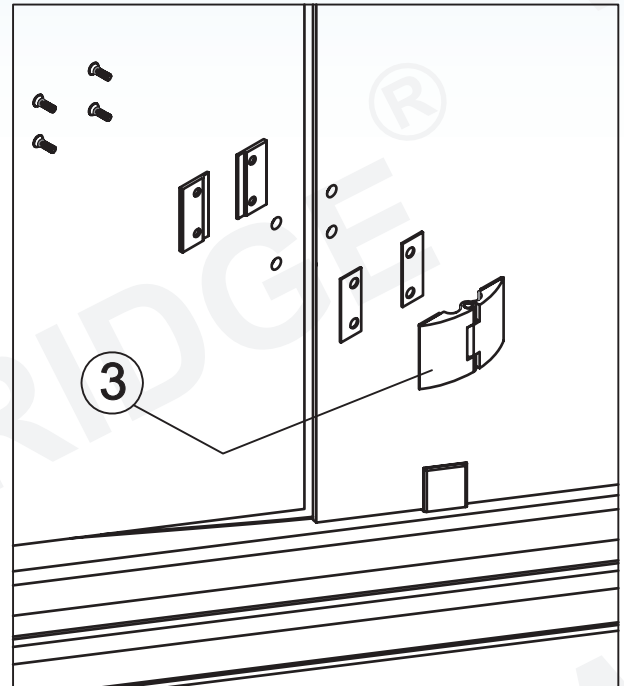
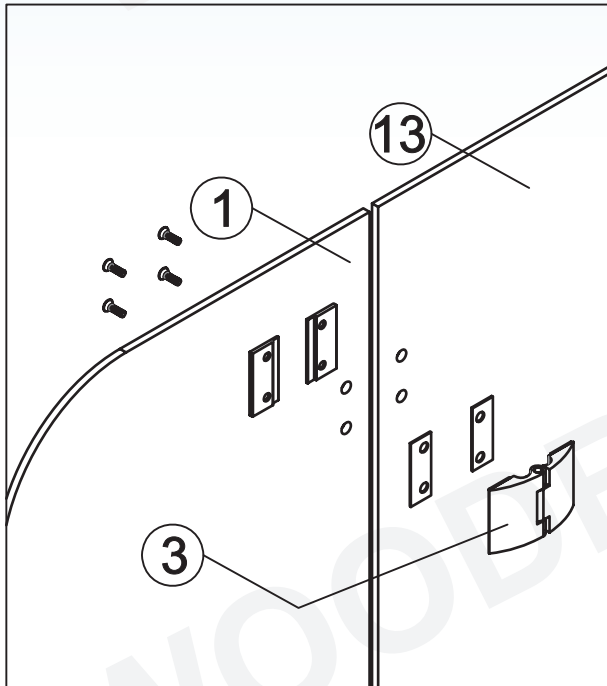
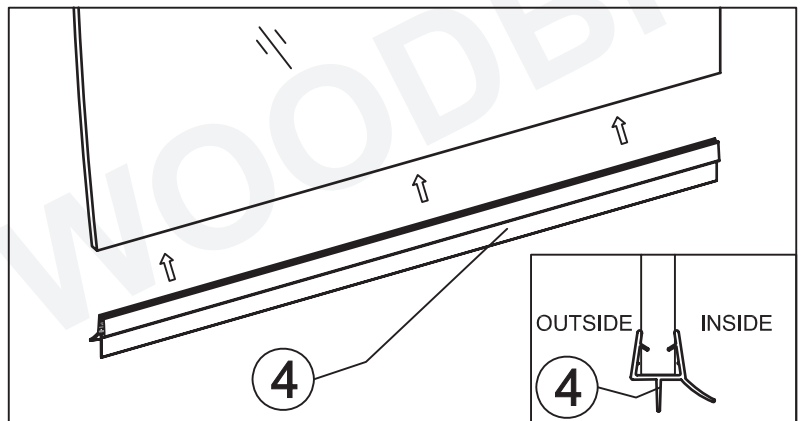
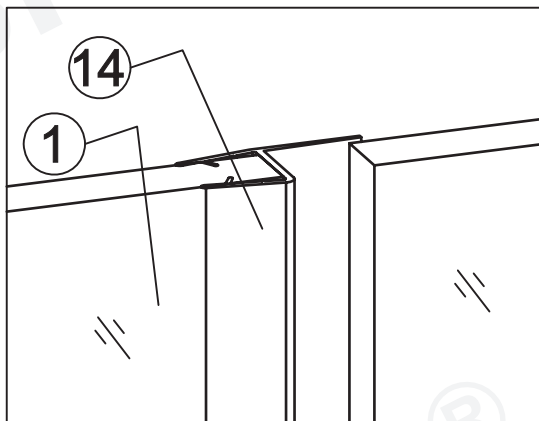
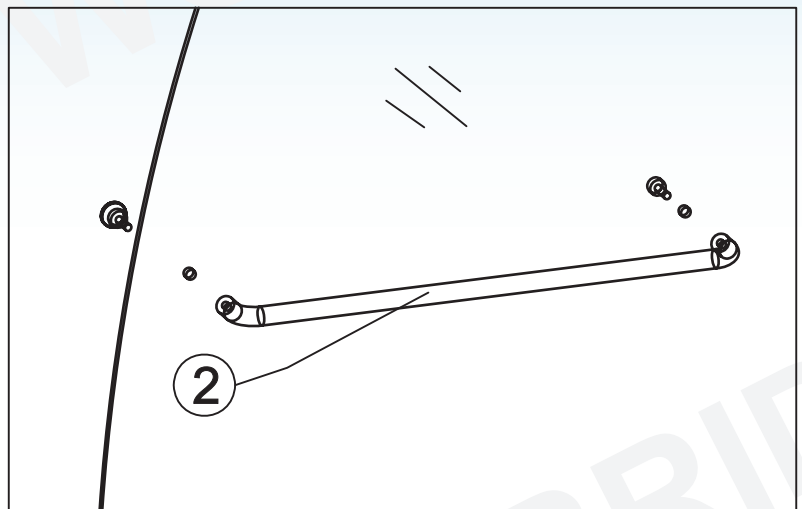
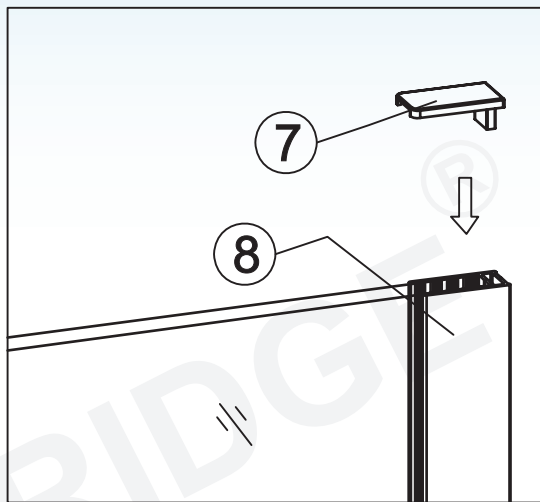


Fig 4

4. Install the Glass Hinge (3) to the Fixed Panel and attach the Glass Door (1) to the Glass Hinge.

See Fig 4 for details.



5. Put End Cover (7) into the top of the Wall Profile (8).
 Install Towel Bar (2) to the Glass Door (1).
 Install Side Anti-Water Strip (14) and Bottom Anti-Water Strip (4) to the Glass Door.

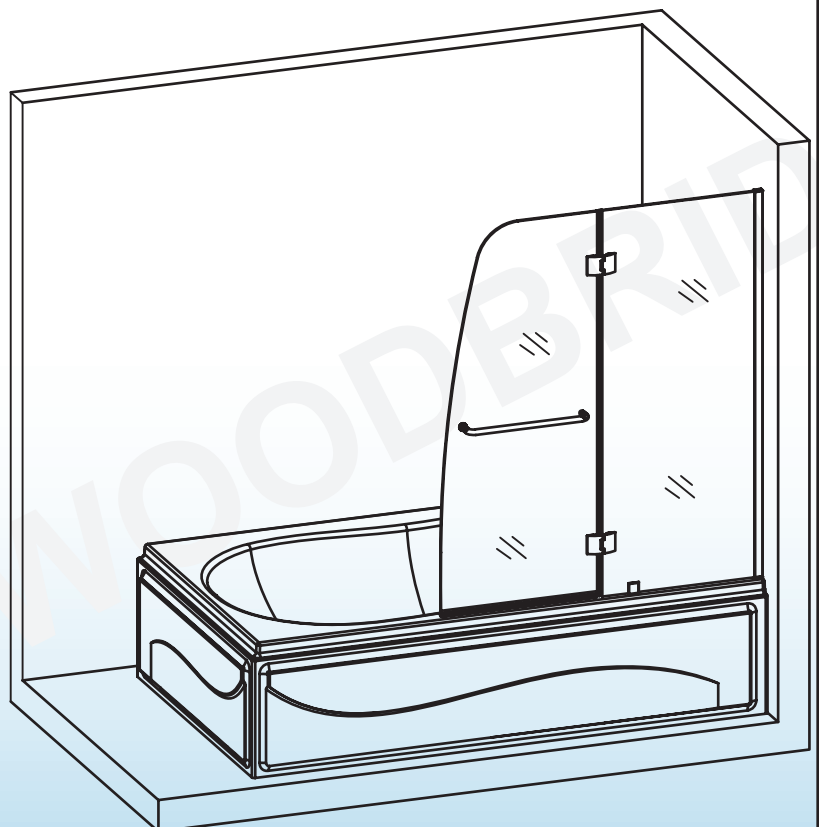


Fig 5

6. Install Support Bar (13) to the Glass Door (1) and wall.

Put the clamp of Support Bar on top of the glass door and mark down the pre-drilled position on the wall.

Drill the hole to the wall per the predrilled position with 8mm (5/16") drill bit and apply silicone into the hole, insert the Wall Anchor(10). Secure the Support Bar to the wall with Screw M4x60 (9).

See Fig 6 for details.

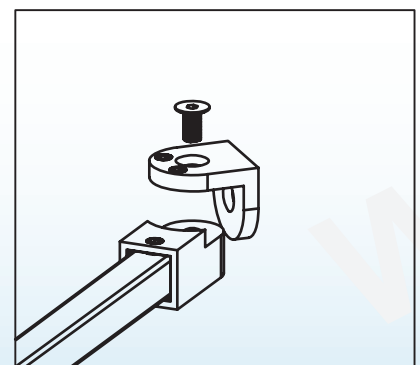
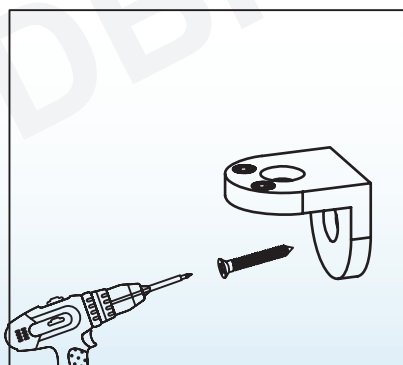
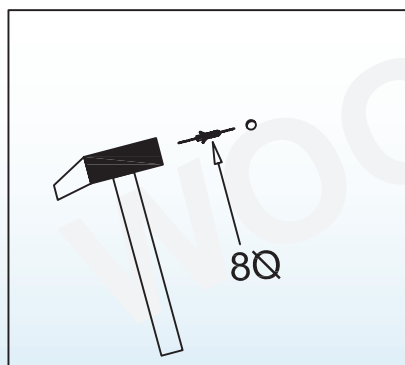
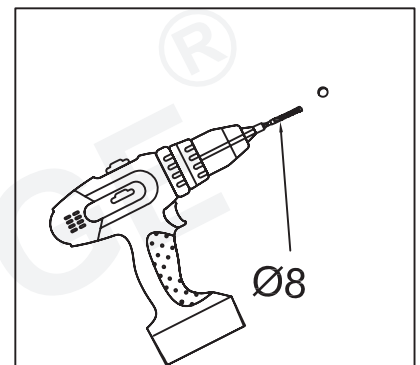
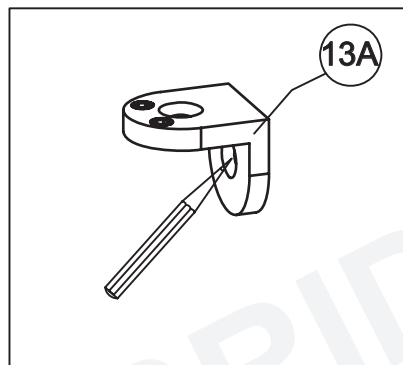
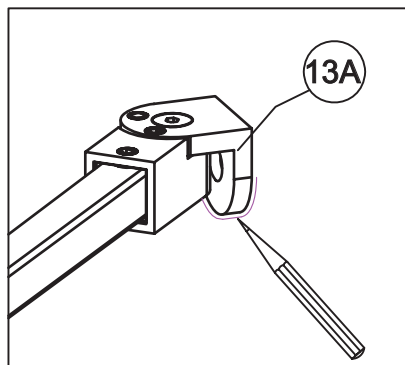
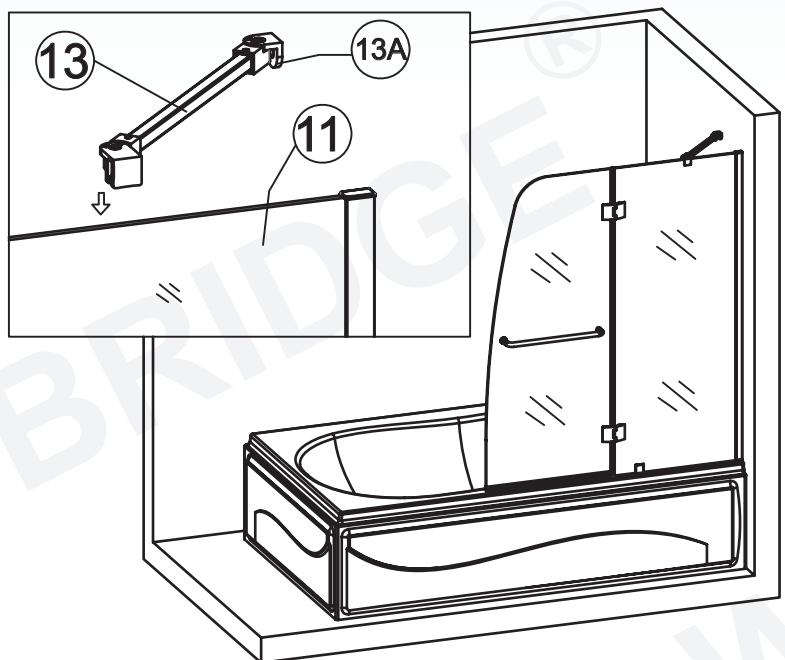


Fig 6

7. Apply silicone sealant on the seams between the Fixed Glass and the shower base/bathtub, and between the wall and the Fixed Glass.

See Figure 7 for details.

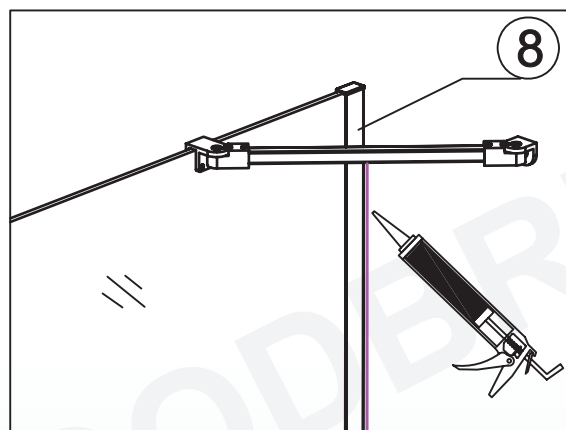
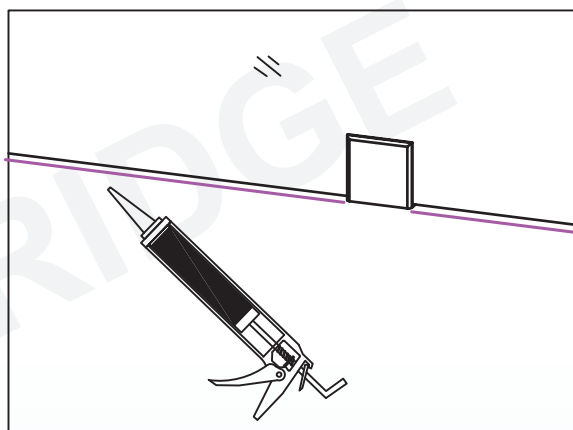
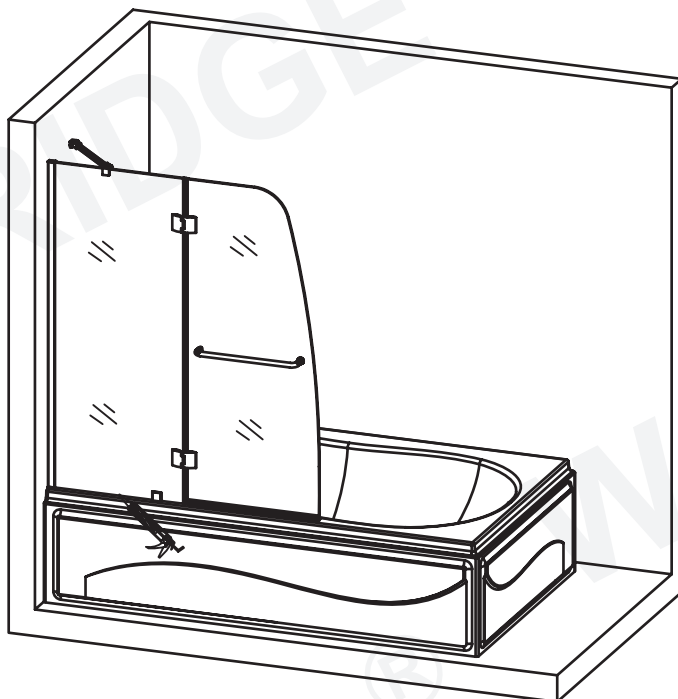


Fig 7

IMPORTANT:

MUST ALLOW SILICONE TO DRY FOR 24 HOURS BEFORE STARTING USING THE SHOWER ENCLOSURE

Thank you for using WoodBridge products!

Please don't hesitate to contact us if you have any questions or concerns.
Customer Service Phone: 562-229-0088. (Monday - Friday 9 AM - 5 PM Pacific Time)
Or Email: help@woodbridge.com