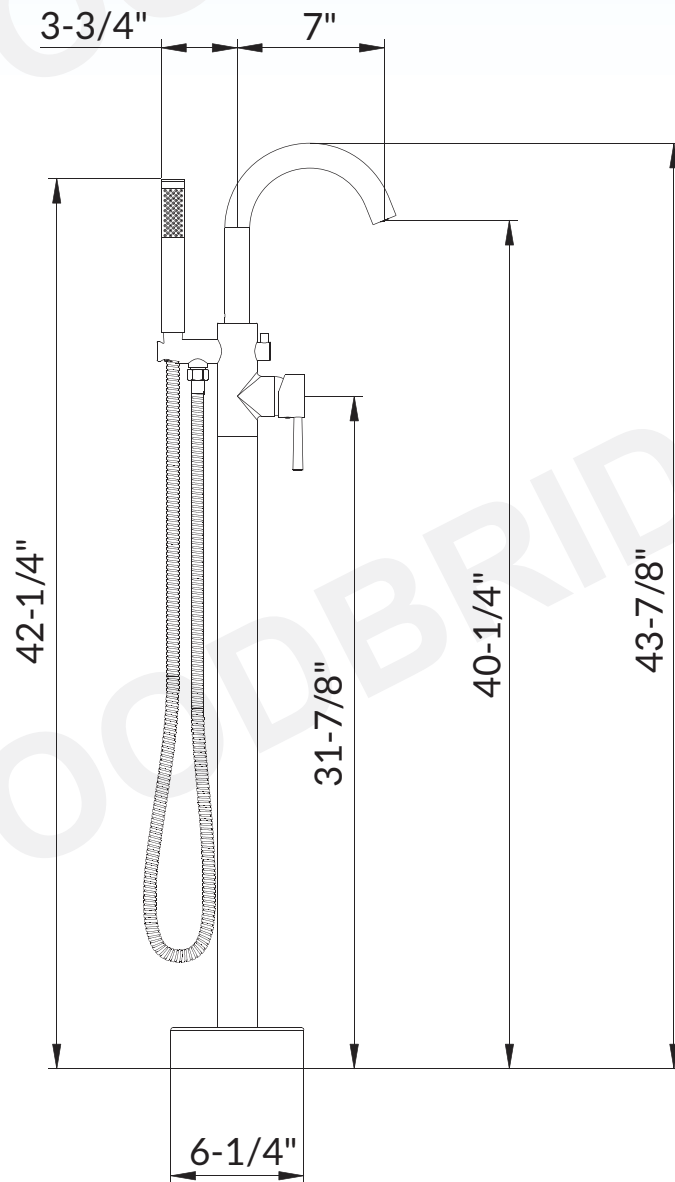


## PREPARATION FOR INSTALLATION



**ATTENTION!** Dimensions may vary by up to 3/8". It is highly recommended to get all dimensions of actual model for installation and measuring purposes.

**ATTENTION!** Measurements in inches are rounded to the nearest 1/8".

### TECHNICAL DATA

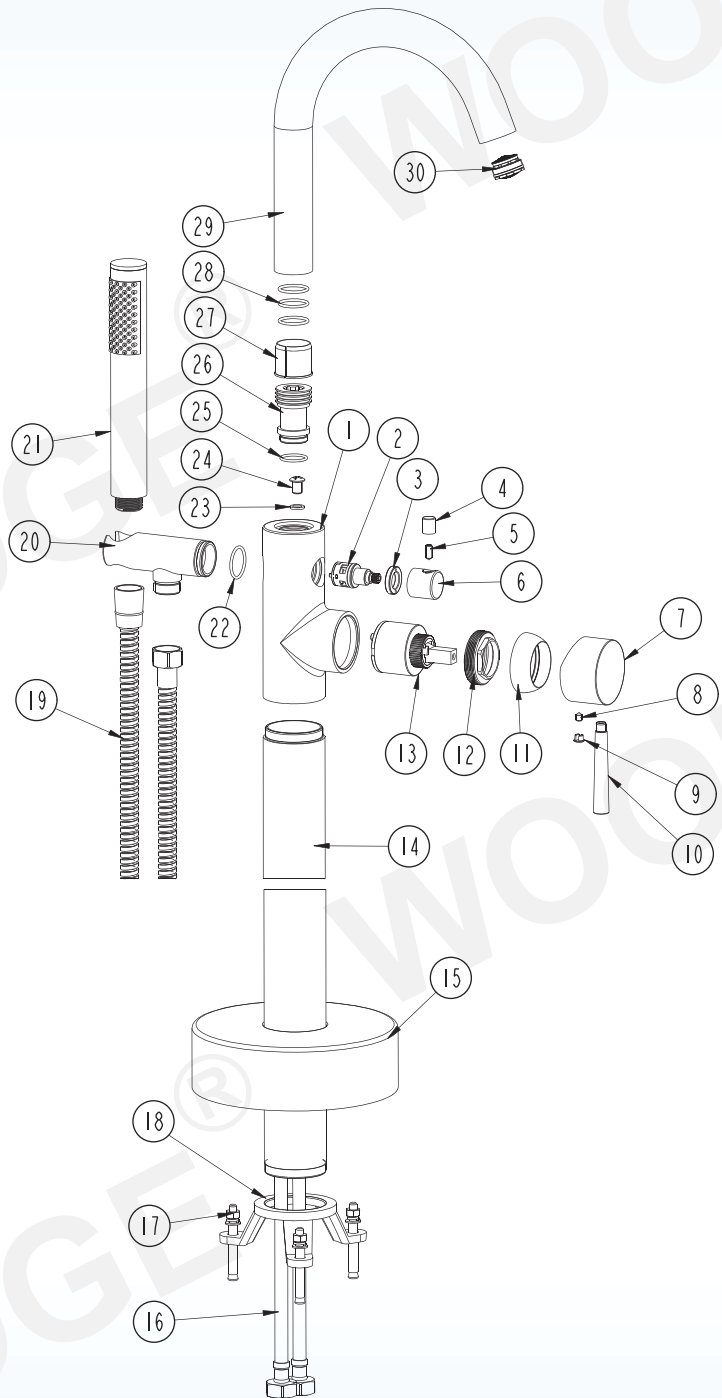
Max spout flow rate 2.5 GPM at 60 PSI  
 Max hand shower flow rate 1.8 GPM AT 60 PSI

Customer Service Phone: 562-229-0088. (Monday - Friday 9 AM - 5 PM Pacific Time)

Or Email: [help@woodbridgebath.com](mailto:help@woodbridgebath.com)

## PARTS & COMPONENTS

No	Component
1	Faucet Body
2	Diverter cartridge
3	Lock Nut
4	Diverter Handle Tip
5	Set Screw
6	Handle Cover
7	Handle Cover
8	Set Screw
9	Index Cap
10	Handle Tip
11	Handle Cap
12	Lock Nut
13	Cartridge
14	Faucet Tube
15	Base Cover
16	Flexible Hose
17	Explosion Screw
18	Triangle Pod
19	Shower Hose
20	Hand Shower Post
21	Hand Shower
22	O-Ring
23	Washer
24	Screw
25	O-Ring
26	Diverter
27	Plastic Sleeve
28	O-Ring
29	Faucet Spout
30	Aerator



### TOOLS REQUIRED FOR INSTALLATION



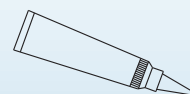
Basin Wrench



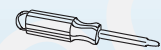
Adjustable Wrench



Teflon Tape



Silicone Sealant



Screwdriver

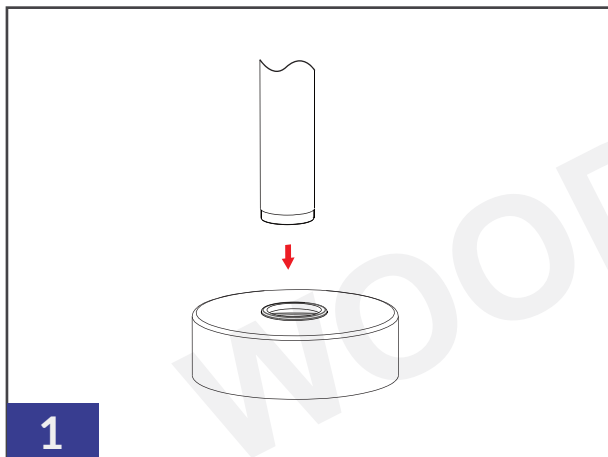
OTHER TOOLS MAY BE REQUIRED

## INSTALLATION INSTRUCTIONS

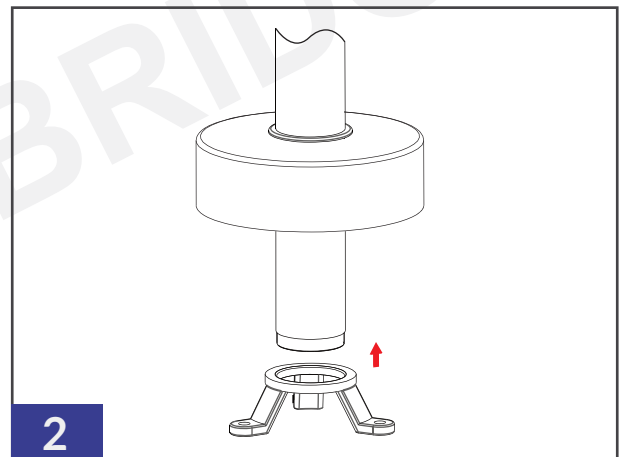
### INSTALLATION INSTRUCTIONS FOR FLOOR MOUNT TUB FILLER FAUCET

#### BEFORE BEGINNING INSTALLATION:

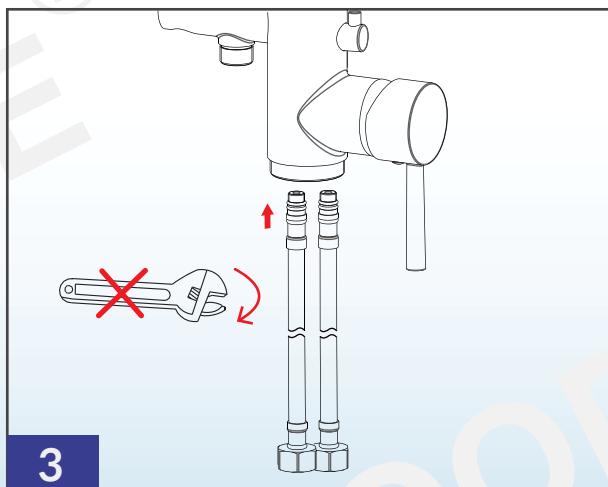
1. Open the package and inspect the faucet for any defect or missing parts prior to installation.
2. This faucet should be located away from traffic areas; impact both by foot traffic or floor cleaning equipment may damage the faucet and might cause a leak which result in water damage.
3. Please read this installation instruction throughly, make sure that you have all the required tools and supplies needed to complete this installation.
4. Due to the applicationa and design of this faucet, extensive consideration should given to its installation.
5. Flush all supply lines prior to installation.
6. Shut off both HOT and COLD supply line after flushing.



Step 1: Insert the faucet tube into the base cover.

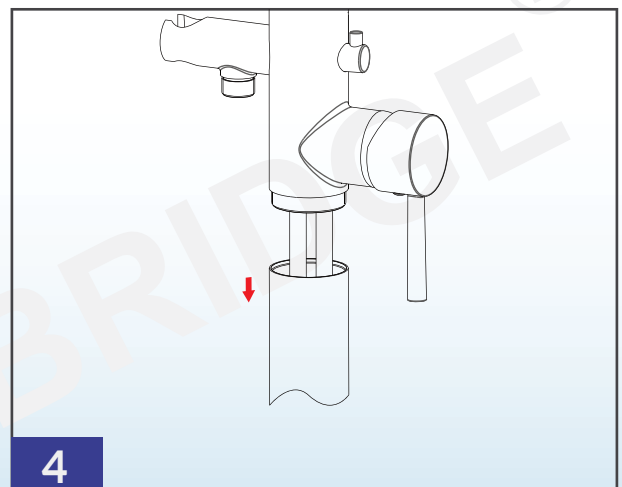


Step 2: Thread the tube onto the mounting tripod.

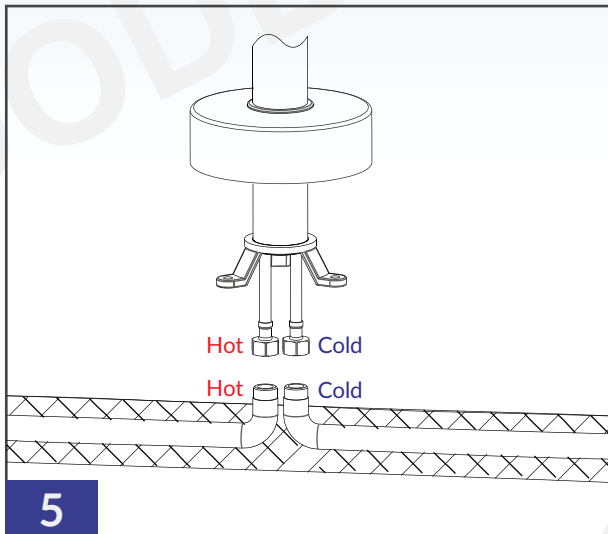


Step 3: Hand tighten the hot and cold flexible water supply line onto faucet body.

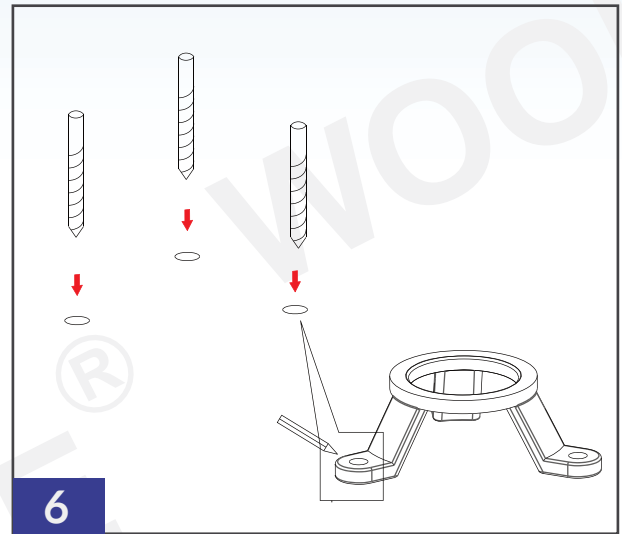
**DO NOT USE** wrench or Spanner to tighten as it could damage the O-Ring on the supply lines. The flexible supply line are to be fitted onto correct inlets for Hot and Cold water.



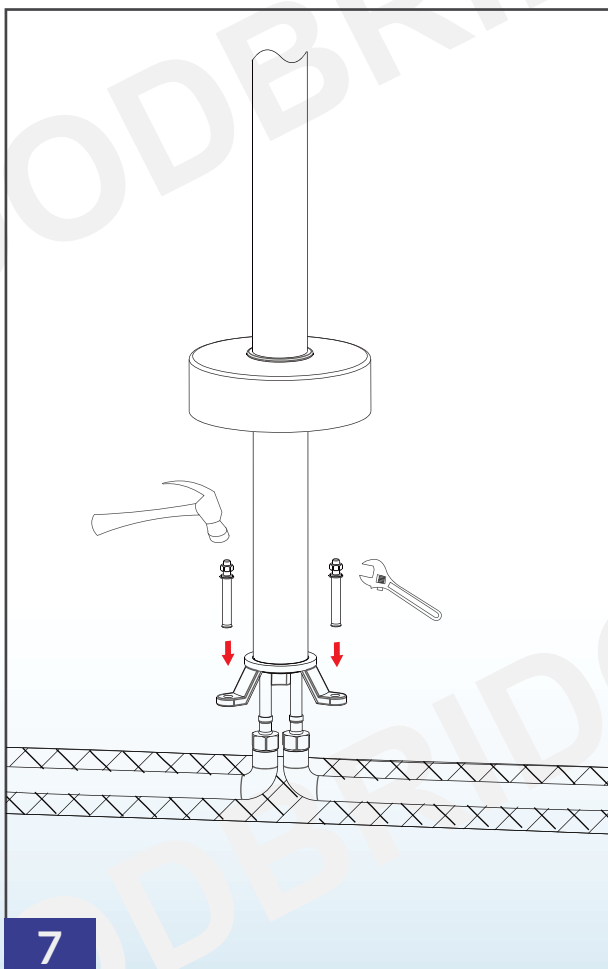
Step 4: Insert faucet body assembly onto the faucet tube from the top and hand tighten it. Make sure the flexible water supply lines go through the tube smoothly.



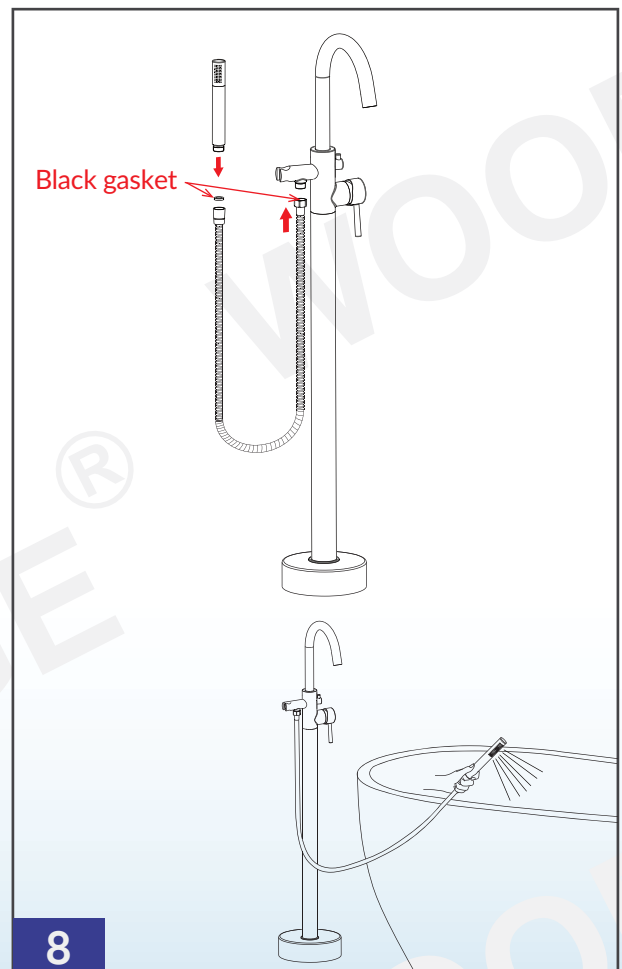
Step 5: Locate the faucet assembly onto the rough valves from floor, and secure the connection of inlet supply lines to the valves. **DO NOT** reverse the Hot and Cold supply.



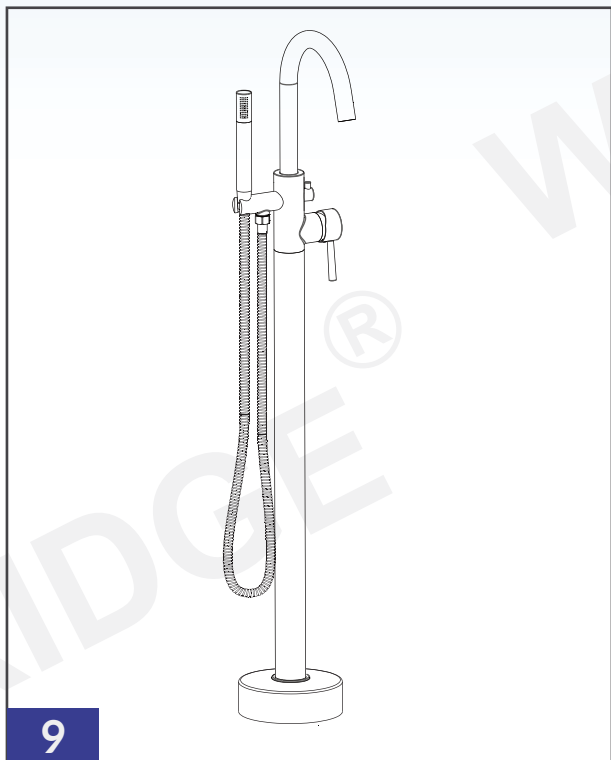
Step 6: Secure the mounting tripod onto the floor using the attached mounting screws.



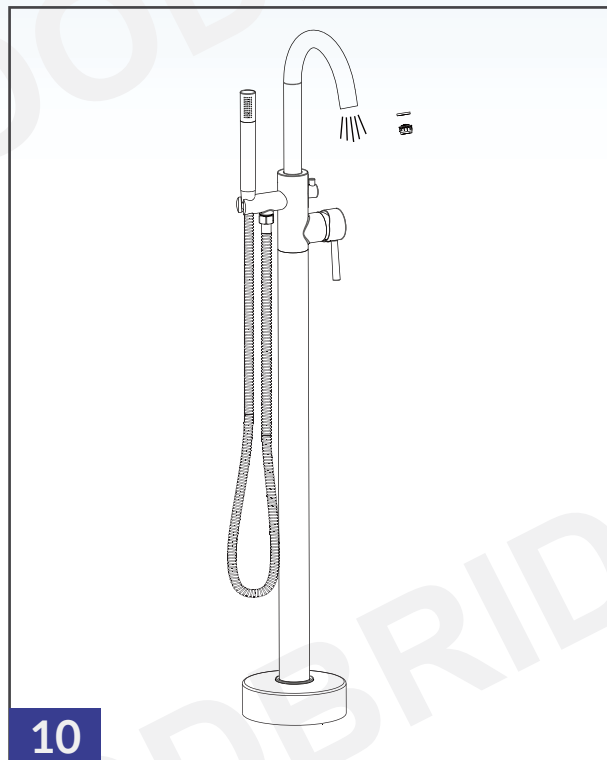
Step 7: Use the explosive screw to fix the base on the floor and place the base cover over the valve.



Step 8: Make sure the black gasket is in the hose end with flats, thread hose onto outlet and tighten it. Turn the supply lines on and turn the handle to full operate position, hold the hose inside the tub and let it flush for one minute.



Step 9: Install hand held shower to the hose and check for any leak between hose connection and hand held shower



Step 10: Remove the aerator from the spout (if any) and switch the diverter from hand held shower to spout mode and let both hot and cold water flush for one minute to clear any debris from water lines. Replace aerator and faucet is ready to use.

## WARNING !

**DO NOT LEAN ON, STEP ON OR USE THIS FAUCET AS A SUPPORT TO GET IN AND GET OUT FROM THE TUB.**



Thank you for using WoodBridge products!

Customer Service Phone: 562-229-0088. (Monday - Friday 9 AM - 5 PM Pacific Time)

Or Email: [help@woodbridgebath.com](mailto:help@woodbridgebath.com)