

INSTALLATION AND CARE GUIDE

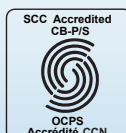
WOODBIDGE[®]

Toilet + Bidet Seat



Compliance with the following Plumbing Codes & Standards:

- 2015 Uniform Plumbing Code[®] (UPC)
- 2018 International Plumbing Code[®] (IPC)
- WaterSense[®] Certified Toilet
- CSA B45.5 / IAPMO Z124-2017- Plastic Plumbing Fixtures



Customer Service Phone: 562-229-0088. (Monday - Friday 9 AM - 5 PM Pacific Time)

Or Email: help@woodbridgebath.com

www.woodbridgebath.com

20200818 REV. 1



READ ALL INSTRUCTIONS BEFORE UNPACKING THE PRODUCT

INSTRUCTIONS THAT, IF IGNORED COULD RESULT IN DEATH OR SERIOUS INJURY CAUSED BY INCORRECT HANDLING OR INSTALLATION OF THE PRODUCT. THESE INSTRUCTIONS MUST BE OBSERVED FOR SAFE INSTALLATION.

CAUTION!



TWO PERSON LIFT REQUIRED

2 PEOPLE ARE REQUIRED TO LIFT AND DURING ENTIRE INSTALLATION OF THIS PRODUCT



INSTALLATION OF THIS PRODUCTS BY AN INEXPERIENCED INSTALLER MAY RESULT PERSONAL INJURY OR DEATH!



We reserves the right to change, update, modify, alter, redesign this manual/product or its policies without prior notice!

We shall not be liable for any injuries or property damages in connection with this product during installation or use of this product!

This products must be installed by a fully insured and licensed plumber only. Installation of any our product by anyone other than fully insured and licensed plumber shall void limited warranty. We recommends that such licensed plumber have experience in the installation of products.

Limited warranty is void on any commercial installation

We are not responsible for local code compliance for this product. Building and plumbing codes may vary from state-to-state in accordance to your location. We are not responsible for providing any compliance certifications.

Under no circumstances will we be liable for any and all incidental damages sustained in connection with this product

Neither manufacture, nor distributor, nor retailer is responsible for water damage or flood caused due to use of this product.

Under no circumstances will we be liable for any and all fees, cost of installation/reinstallation/removal, subsequent damage or transportation in case of the product defect

TOILET COMPONENTS

During unpacking the product and prior to installation inspect your new product for any damages or missing parts. Do not attempt to install or operate the product if the product is damaged.



Bidet Seat X1



Nuts x2



Hand Wrench x1



One Pcs Toilet X1



Washers x2



Wax Ring x1



Closet Bolts x2



Toilet Template x1

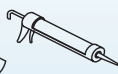
TOOLS REQUIRED FOR INSTALLATION



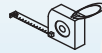
Soft Cloth or Blanket



Silicone



Silicone/ Caulk Gun



Tape Measure



Pencil/Marker



Safety Glass



Knife



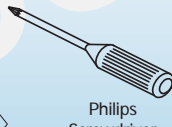
Adjustable Wrench



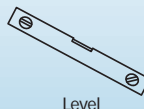
Channel Lock Pliers



Adjustable Socket Extension



Phillips Screwdriver

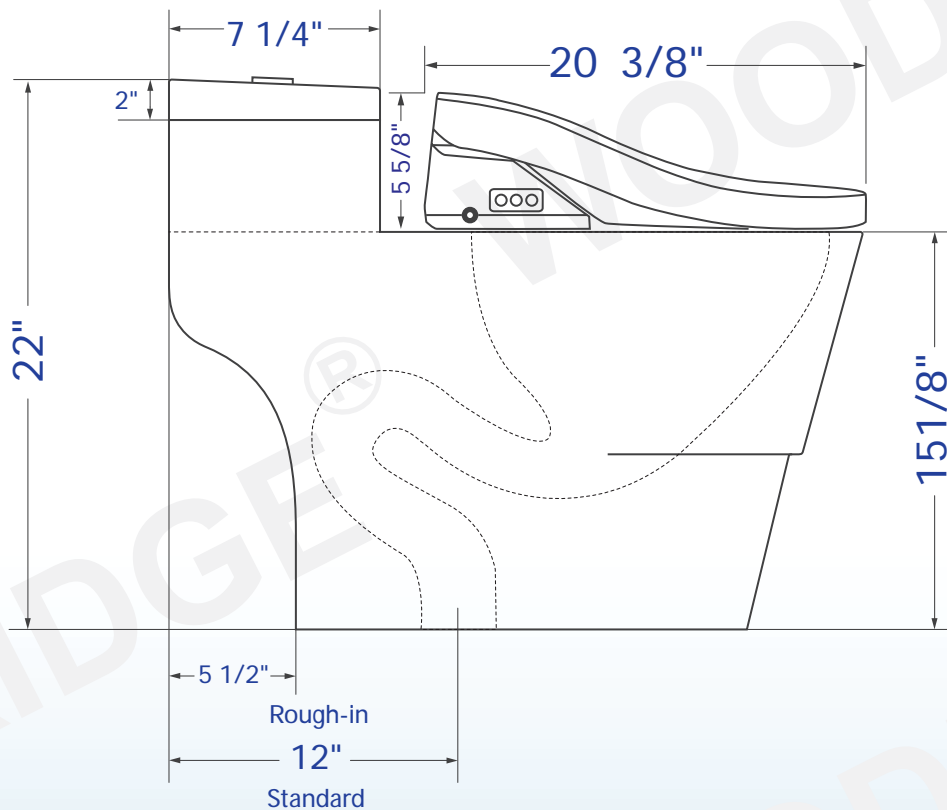
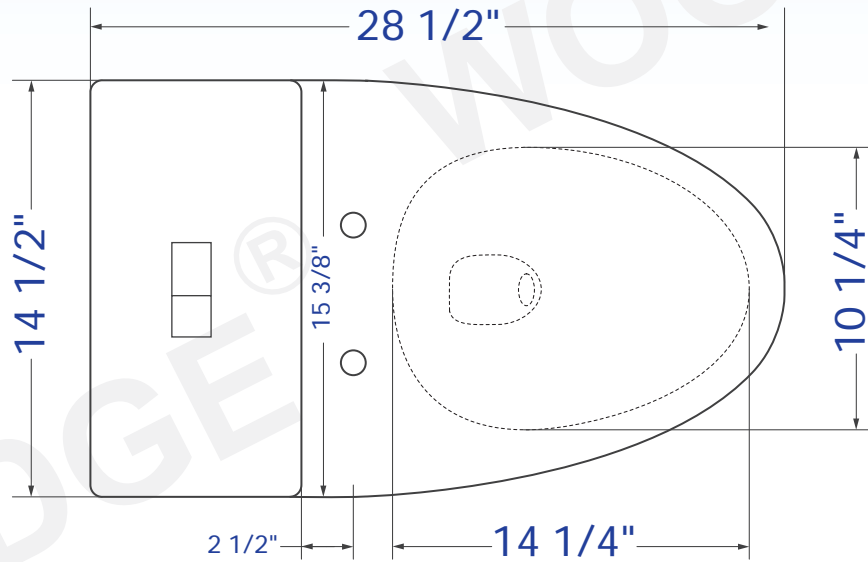


Level



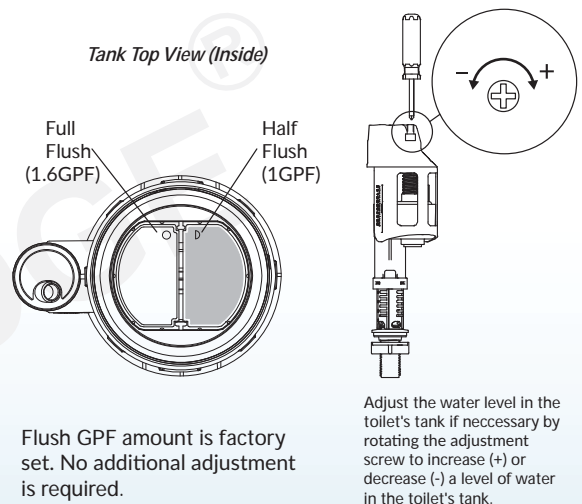
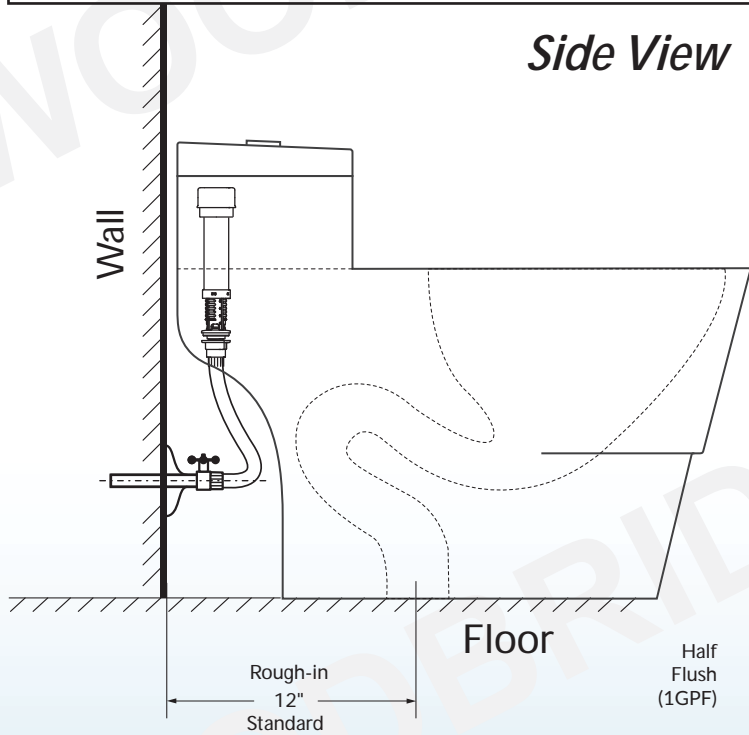
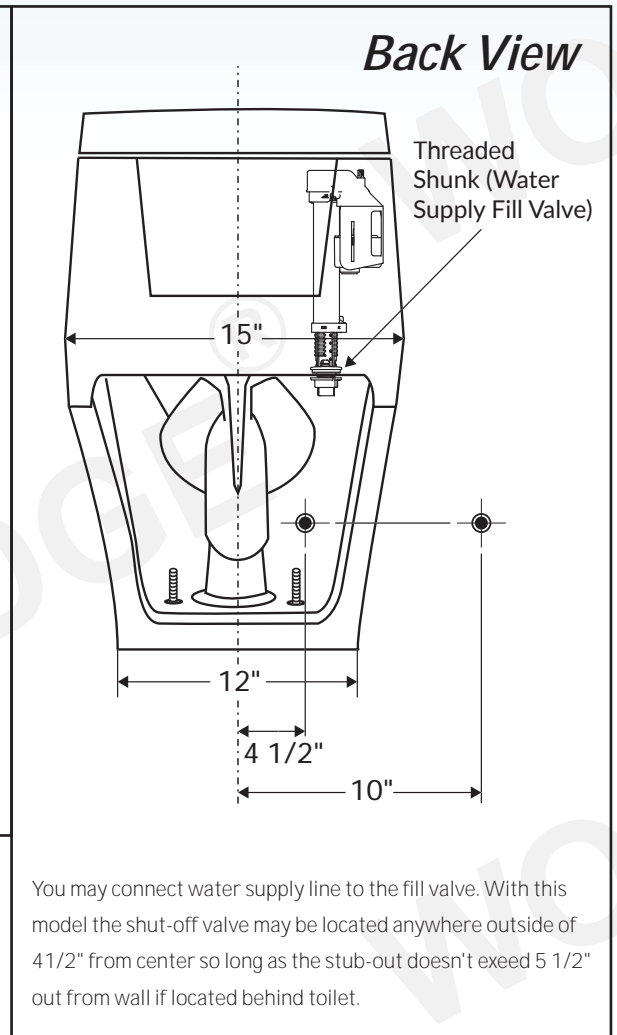
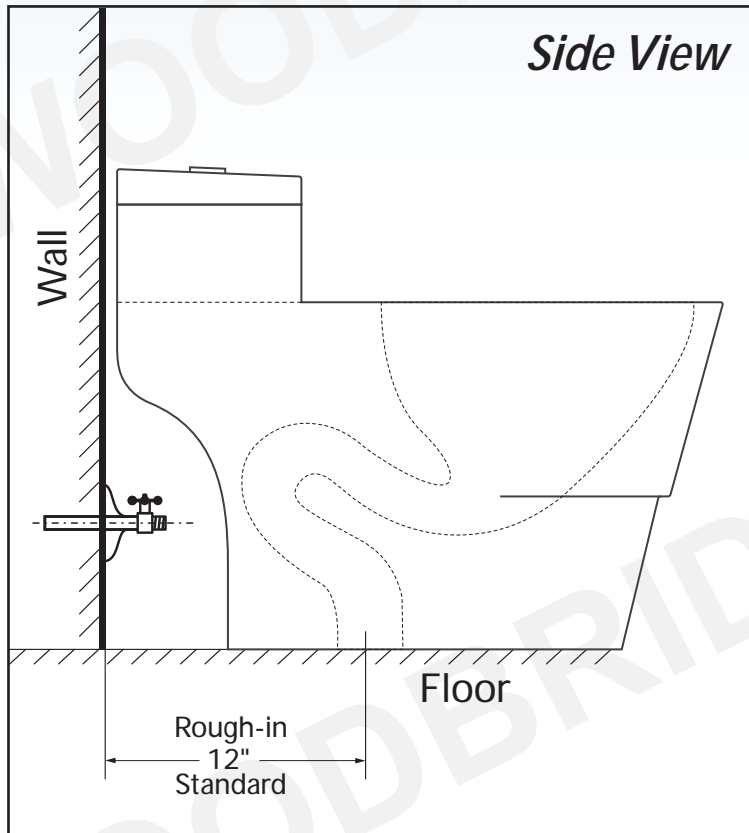
Putty Knife

OTHER TOOLS MAY BE REQUIRED



IMPORTANT INFORMATION

- Measurements are $\pm 3/8"$ and subject to change without notice
- Specifications & Configurations are subject to change without notice
- Please measure toilet on-site before installation
- Please note that installer(s) must be certified or warranty will be voided.
- Measurements herein supersede all others published prior to publication date shown below



IMPORTANT INFORMATION

- Measurements are $\pm 3/8"$ and subject to change without notice
- Specifications & Configurations are subject to change without notice
- Please measure toilet on-site before installation
- Please note that installer(s) must be certified or warranty will be voided.
- Measurements herein supersede all others published prior to publication date shown below



IMPORTANT! Shut off main water supply prior to installation!

REMOVE OLD TOILET

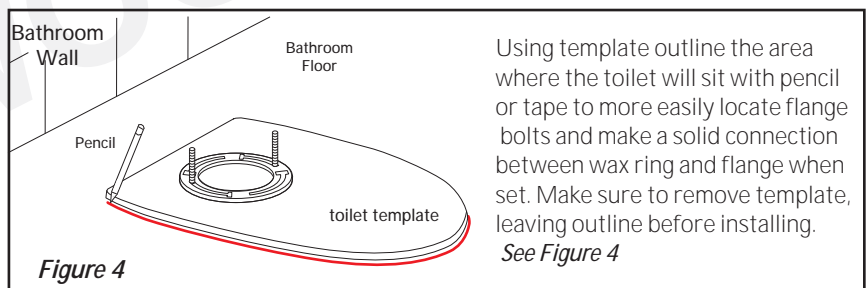
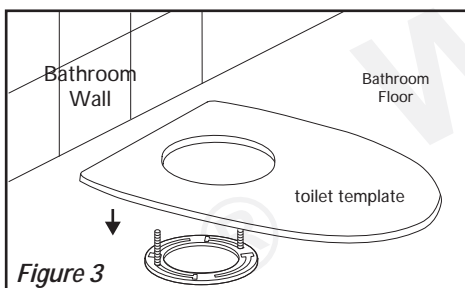
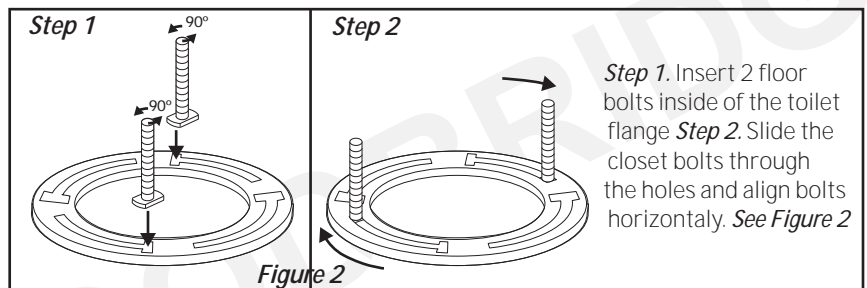
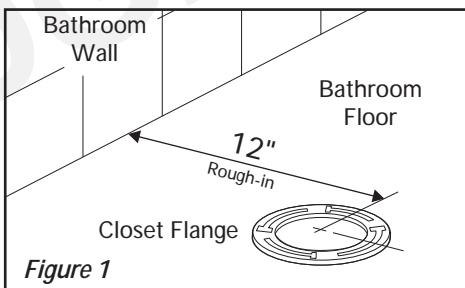
1. Shut off water supply line. If you do not have shut-off valve near the toilet shut off main water supply line.
2. Flush the old toilet and make sure that tank is empty.
3. Disconnect and remove water supply line connected to the toilet's tank.
4. Remove old toilet, bolts, nuts from the closet flange.
5. Clean closet flange area from old wax ring and putty sealant using putty knife from the base area.
6. Clean any remaining debris and wipe any water at the installation area
7. Temporarily plug flange on a floor with a flange plug or towel to prevent gasses from escaping

IMPORTANT! The mounting surface area must be clean, dry, and leveled prior to installation of the new toilet!

NOTE! Inspect the existing closet flange for damages. If damaged, replace it to new flange before proceeding to the installation

PREPARE CLOSET FLANGE

Make sure that rough-in is 12" by measuring the distance from the wall to the center of the closet flange. See Figure 1



Using template outline the area where the toilet will sit with pencil or tape to more easily locate flange bolts and make a solid connection between wax ring and flange when set. Make sure to remove template, leaving outline before installing. See Figure 4

Locate and remove template from carton. Place over toilet flange. Measure from back wall to make sure it is square/even with wall. Check your shut-off valve to make sure it clears back of template. See Figure 3

INSTALL WAX RING

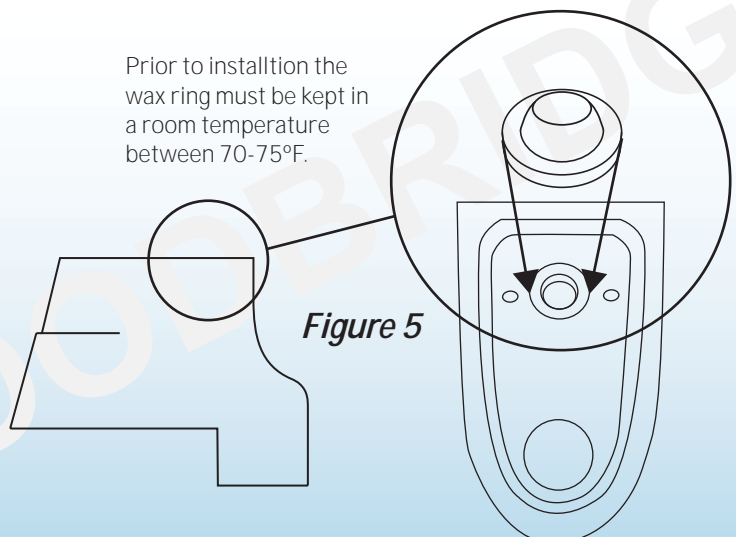
Important: safety glasses must be worn by the installer and all bystanders.

Cover the floor with a soft-close blanket. Carefully turn the toilet on it's side or upside-down on the blanket with assistance of a second person. Install wax ring over the horn discharge located on the bottom of the toilet's bowl.

See Figure 5

Note: Ceramic is a fragile material. You must always cover the floor with a soft-cloth blanket if you want to put the toilet on the floor on any side other than the bottom of the toilet. If you do not cover the floor with a soft-close blanket contact of the toilet with the floor may and will cause minor or moderate scratches on the toilet's surface.

Prior to installation the wax ring must be kept in a room temperature between 70-75°F.



Always Use Soft-Cloth Blanket

INSTALL NEW TOILET

Step 1. Lift and carefully put the toilet over the closet flange inside the outline made by template so the closet bolts can go through the mounting holes in the toilet's base. Once the bowl is in the position press the bowl down with slight twisting motion in level position towards the floor. Apply your body weight to evenly compress the wax ring to create watertight seal. Make sure that the bowl is as leveled as possible to have a nice seal tight.

Do not rock the toilet back and forth and side to side as it may and will break a seal and you will need to replace the wax ring again and start the installation process over.

See Figure 6

Step 2. Once the toilet is set and leveled install washers and nuts over the closet bolts. Tighten nuts. Do not overtighten the nuts. It may and will cause damage to the toilet's ceramic base. **Please keep in mind that because this is a skirted trap-way toilet, it may require a little more time, patience and accessibility to complete install.** See Figure 7

CONNECT TOILET'S TANK TO WATER SUPPLY LINE

Connect the water supply line between the tank and water shut-off valve using a toilet hose (not supplied). When connecting toilet hose tighten coupling nut to the tank by 1/4 turn beyond the hand tight.



Do not overtighten nut on the tank connection. It may and will cause water leakage.

Turn on valve on water supply line and allow tank to fill. Check all connections for leakages and tighten as needed.

Once tank is filled with water flush it 4-5 times to perform a test of the flushing system. At the same time check the bottom of the toilet for leaks to make sure that the wax ring is properly installed and sealed.

If there are no leaks you are ready finalize the installation. If any shims are installed at the bottom of the toilet's bowl you may trim them. Apply silicone around base of the toilet's. Allow 24 hours for silicone to dry before start using the toilet. See Figure 8

Important: Leaks may not occur during or right after the installation. Make sure to check for leaks every couple hours first day installed and occasionally check it everyday for the next week to ensure that toilet is properly installed and no leaks occur. If any leaks occur immediately shut off the water supply line valve and contact your local plumber to fix all leaks.

Important:

Under no circumstances will we be liable for any and all incidental damages sustained in connection with this product

Neither manufacture, nor distributor, nor retailer is responsible for water damage or flood caused due to use of this product.

Under no circumstances will we be liable for any and all fees, cost of installation/reinstallation/removal, subsequent damage or transportation in case of the product defect

CAUTION!



TWO PERSON LIFT REQUIRED

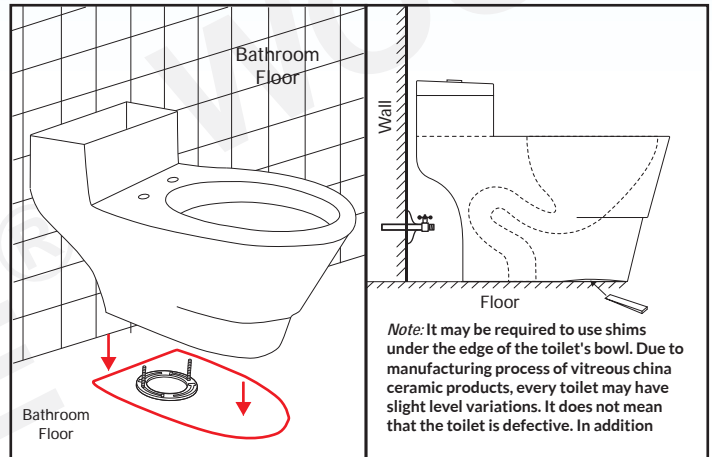


Figure 6

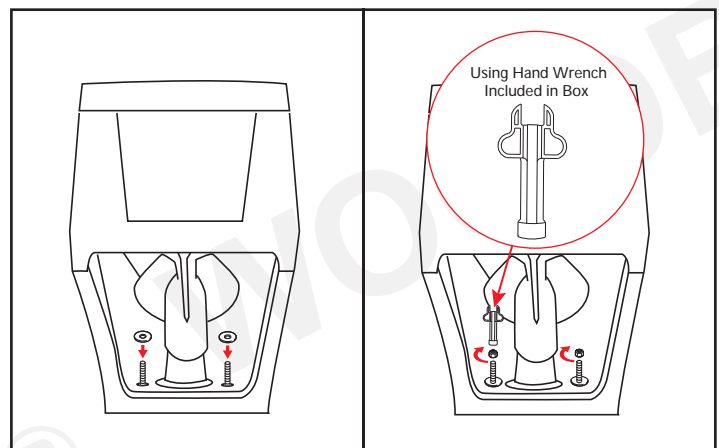


Figure 7

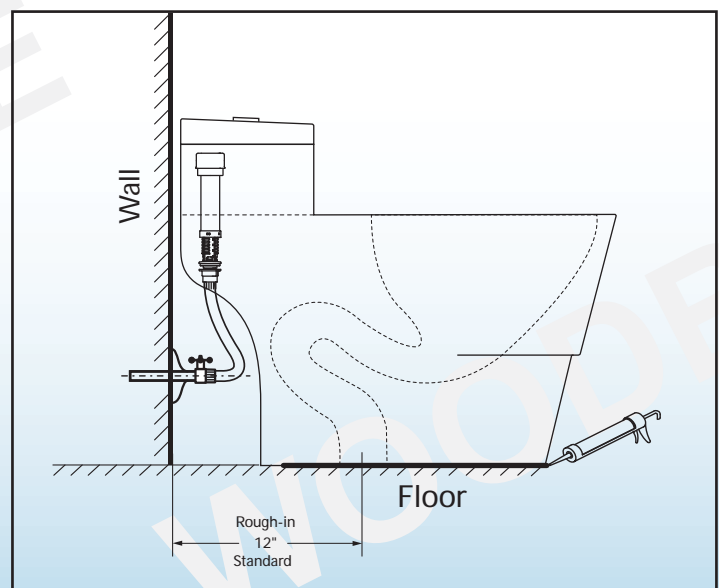
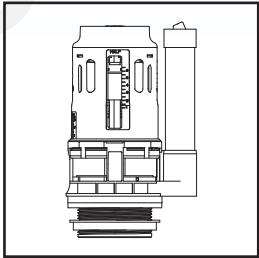


Figure 8

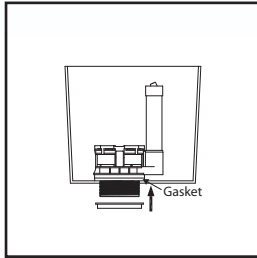
ADJUSTMENT & MAINTENANCE (DUAL FLUSH VALVE)

Important Note: Flush GPF amount is factory set. No additional adjustment is required. This page is for reference only. All adjustments are already made by manufacturer.

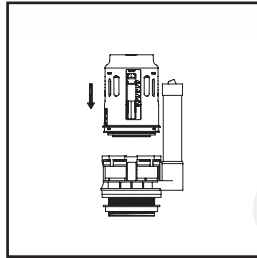
1. BASE INSTALLATION



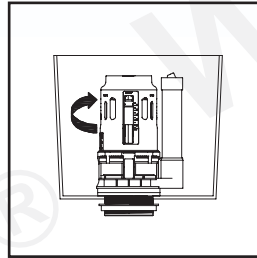
Check the dual flush valve and make sure that it does not have any damaged or missing parts



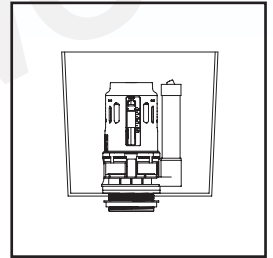
Install the base with the rubber gasket in the tank, turn the screw as illustrated to make sure there is no water leakage and no looseness



Install a body of the flush into the base and make sure they can be rotated clockwise arbitrarily.

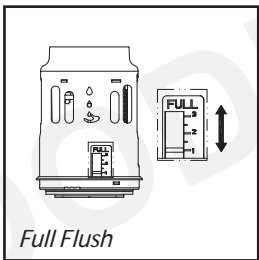


Rotate the valve clockwise to adjust its position inside of the toilet's tank

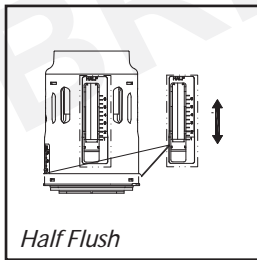


Install the sealing gasket

2. FLUSH VOLUME ADJUSTMENT



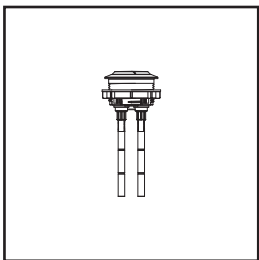
Full Flush



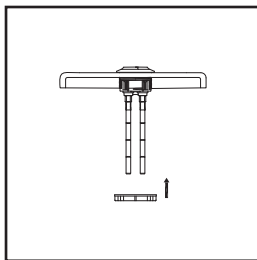
Half Flush

Full flush and half Flush range will decline when the button is moved upward from the bottom

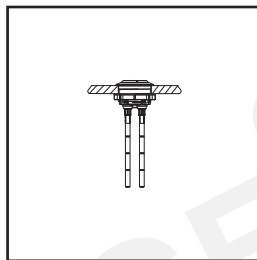
3. PUSH BUTTON ADJUSTMENT



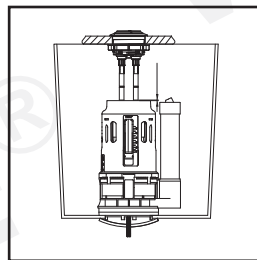
Check the completeness of the product before adjustment



Take out the lock nut and insert the push button into the tank cover

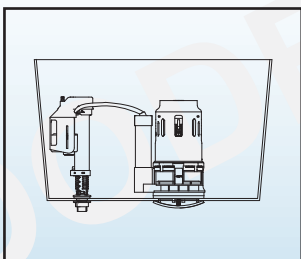


Adjust the push button and lock the nut to make it well-fixed in the tank

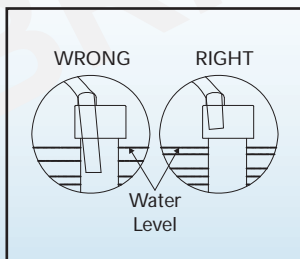


The distance between the rod tail and valve push button must be 1-2mm

4. REFILL TUBE ASSEMBLY

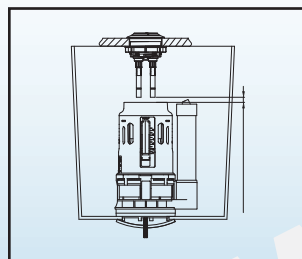


Put the refill tube into the white cap hole firmly

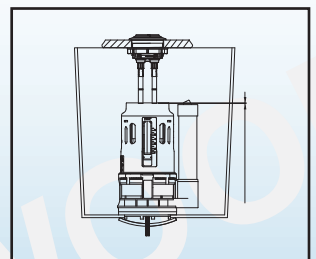


The refill tube can't be lower than the watersealing level

TROUBLESHOOTING

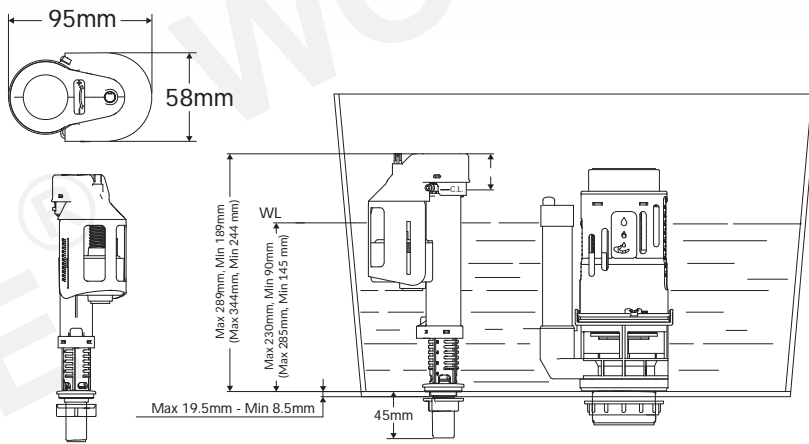


If the rod is too short, please re-adjust it (outward rotation).



If the rod is too long please cut-off the extra length and re-adjust it.

Important Note: Flush GPF amount is factory set. No additional adjustment is required. This page is for reference only. All adjustments are already made by manufacturer.



Instructions:

When valve installed, the critical level mark on fill valve (identified by C.L. mark on valve body) should be at least 1" above top of the over flow pipe.

Required:

- Water temperature: 36-112°F

Important:

Under no circumstances seller shall not be liable for any and all incidental damages sustained in connection with this product

Neither manufacture, nor distributor, nor retailer is responsible for water damage or flood caused due to use of this product.

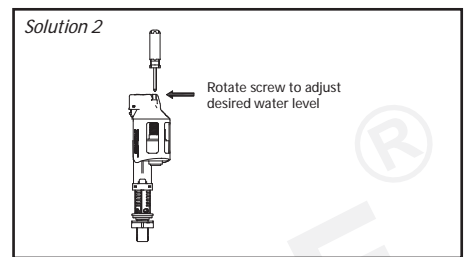
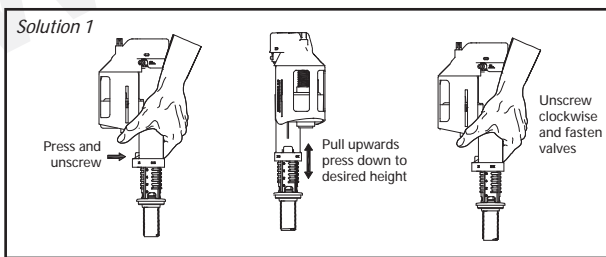
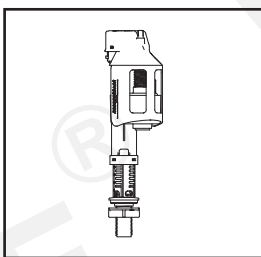
Under no circumstances seller shall not be liable for any and all fees, cost of installation/reinstallation/removal, subsequent damage or transportation in case of the product defect

IMPORTANT: Do not use or drop any chlorine or any other chemicals. Use of chemical products will result in damage to the fill valve and flush valve components and may cause flood and property damage. Do not overtighten bolts/nuts as it may and will cause damage to the toilet parts and componets.

1. PREPARATION

Remove the worn-out fittings and clean your tank prior to the installation of the new ones. There might be a lot of impurities in your tank that may cause damage to the new parts if you do not clean them out. The tank must be absolutely clean prior to installation.

2. WATER LEVEL ADJUSTMENT

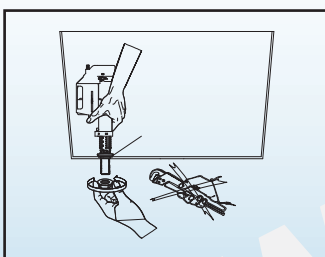


Check the fill valve and make sure that it does not have any damaged or missing parts

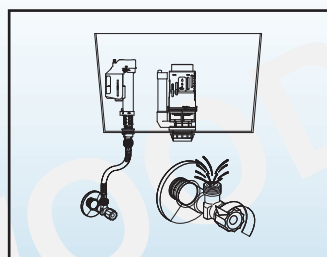
1. Press buckle and unscrew.
2. Pull the valve upwards or press down to desired height.
3. Unscrew the valve body and fasten the buckle

Rotating screw, rise or lower the water level to adjust water level to suitable position (water volume will gradually increase when the adjuster is moved upward from the bottom.)

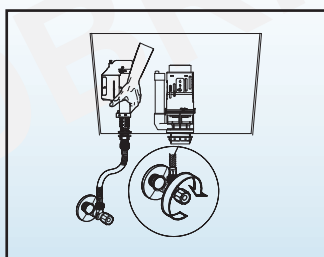
3. FILL VALVE INSTALLATION



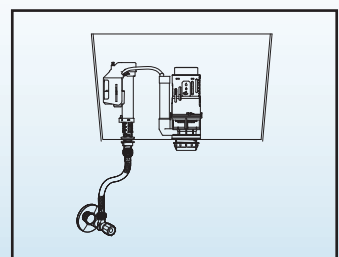
Install the valve into tank. Do not use any wrench tools. Fasten with hand only.



Connect water supply to the fill valve. Turn on water.



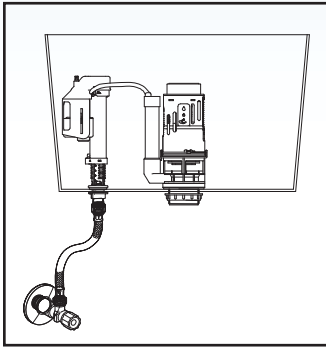
Turn off water supply valve before height adjustment of the toilet's fill valve.



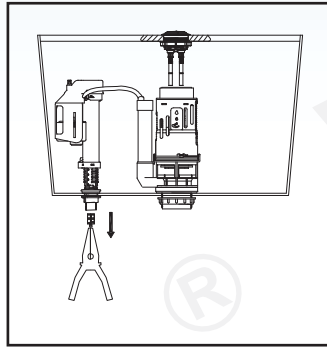
Put the refill tube into the white cap hole firmly.

CLEANING & TROUBLESHOOTING (FILL VALVE)

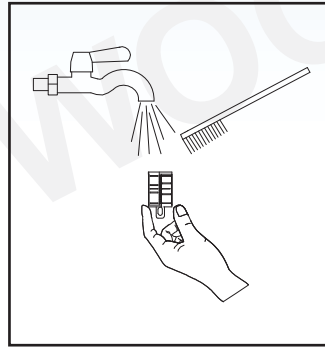
FILL VALVE CLEANING



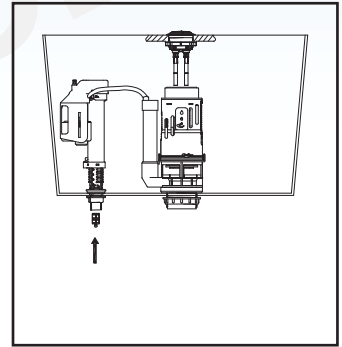
Shut off water supply line before filter cleaning.



Carefully, take out the filter from inlet by using pliers.

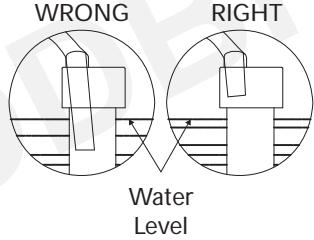


Use water to wash and clean the filter and adapter from any debris.



Re-install the filter and re-connect the water supply line.

TROUBLESHOOTING

Issue	Cause	Solution	Solution #4 WRONG RIGHT 
Water level is too high or too low	Improper water level adjustment	Adjust the water level	
Fill valve fails to shut off or fails to fill the water into the toilet's tank	<ol style="list-style-type: none"> 1. Inlet valve switch is turned on. 2. Inlet valve float crashed against ceramic wall 3. Filter screen is clogged due to dirty water 4. Improper refill hose installation 	<ol style="list-style-type: none"> 1. Turn on inlet valve switch 2. Adjust inlet valve position 3. Clean the filter screen 4. Install refill hose correctly (see diagram on the right) 	

MAINTENANCE & CARE

Use soft sponges or soft-cloths to clean the surface. Always rinse thoroughly any cleaning solutions immediately after cleaning. Do not any chemical remain on the surface for extended periods of time.

IMPORTANT!

DO NOT USE: Abrasive cleaners such as: acid, ammonia, bleach, and similar solutions. Use of such solutions may cause corrosion, finish peeling, and/or dull the surface.

DO NOT USE: Abrasive sponges or cloth. Never use steel, wool, or wired brushes that will permanently scratch the surface.

FILL/FLUSH VALVES MAINTENANCE & CARE

Do not pour any amounts of chlorine or any other chemicals into the tank. Use of chemical products will result in damage to the fill valve and flush valve components and may cause flood and property damage and will void warranty.

Note: fill and flush valves are maintenance free. No maintenance is required.

Bidet Seat Installation Instructions

When using electrical products, especially when children are present, basic safety precautions should always be followed, including the following:

1. The appliance is not to be used by persons (including children) with reduced physical, sensory or mental capabilities, or lack of experience and knowledge, unless they have been given supervision or instruction.
2. Children being supervised not to play with the appliance.
3. This appliance can be used by children aged from 8 years and above and persons with reduced physical, sensory or mental capabilities or lack of experience and knowledge if they have been given supervision or instruction concerning use of the appliance in a safe way and understand the hazards involved.
4. Children shall not play with the appliance.
5. Cleaning and user maintenance shall not be made by children without supervision.

READ ALL INSTRUCTIONS BEFORE USING



DANGER—To reduce the risk of electrocution:

1. Do not use while bathing.
2. Do not place or store product where it can fall or be pulled into a tub or sink.
3. Do not place in or drop into water or other liquid.
4. Do not reach for a product that has fallen into water. Unplug immediately.
5. Do not wash the main unit or electrical plug with water or detergent.
6. Do not handle the electrical plug with wet hands.
7. Do not put a hand or other staff over the outlet of air dryer or block the outlet of air dryer.
8. Never disassemble, repair or modify this product.
9. During installation, disassembly, repair and maintenance of the product, the power plug must be switched off and water supply be shut off.



WARNING—To reduce the risk of burns, electrocution, fire, or injury to persons.

1. Close supervision is necessary when this product is used by, on, or near children or invalids.
2. Use this product only for its intended use as described in this manual. Do not use attachments not recommended by the manufacturer.
3. Never operate this product if it has a damaged cord or plug, if it is not working properly, if it has been dropped or damaged, or dropped into water. Return the product to a service center for examination and repair.
4. Keep the cord away from heated surfaces.
5. Never use while sleeping or drowsy.
6. Never drop or insert any object into any opening or hose.
7. Do not use outdoors or operate where aerosol (spray) products are being used or where oxygen is being administered.
8. Connect this product to a properly grounded outlet only. See Grounding Instructions.
9. Do not throw cigarettes and other burning stuff into toilet, otherwise it might cause fire.
10. This product is electric appliance, so it must be placed far away from water. Please don't drench urine and other liquid to it.
11. Do not lay on side or upside the product during the electrical circuit.
12. It is prohibited to use other electric appliances in the same socket.
13. It is forbidden to use the power extension or unstable loose outlet.
14. The old aging water supply hose can not be used, otherwise it might cause leakage, fire or electrical shock. Installation of the bidet seat should include specified components and new water supply hose.



CAUTION—Indicates that failure to follow the instruction may cause body injury or property damage.

1. Do not install or use the product in wet places as steam room etc. This product must be connected to properly grounded power outlet socket.
2. It is recommended to use water-proof electrical outlet which should be installed in the place where is not easily got wet.
3. This product should be used with AC 110V-120V, 50/60Hz electrical current only, load current is at least 15A. Power plug must be equipped with ground fault circuit interrupter or ground fault electrical leakage protector or similar high sensitive, rapid type leakage switch (Rated sensitive current under 6mA).
4. When it thunders, it is strongly recommended to pull out the power plug.
5. Do not stand on ceramic toilet.
6. Ceramic toilet must install floor fixing bolt.
7. Do not stand on product unit, seat and cover.
8. Do not lean against the seat cover when using the product, to avoid damage.
9. This product is equipped with soft-closing seal cover. Heavy pressing or pushing may damage the soft-closing damper.
10. Do not use lacquer thinner, petrol, liquid medicine, detergent, insecticide, toilet cleanser and scrubbing brush to clean the product.
11. Exposure to direct sunlight is prohibited.
12. Only use tap water or potable water; otherwise it may cause chafing.
13. Do not connect water supply to heater outlet. Make sure inlet water temperature at 3~35°C
14. When the room temperature is under zero degree, please dry up the water tank, to avoid freezing.
15. Raise rest room temperature to prevent the toilet from damage due to freezing.
16. When move the product from cold or wet environment into normal room temperature, wait for 2 hours until the condensation water is fully volatilized. Doing so can prevent the product from electrical short-circuit.
17. When not using the product over three(3) days, drain the water out of the container and pull the electrical plug from the wall outlet.
18. Stop using the product and shut off the power when product malfunctions, please contact the service people for professional service.

GROUNDING INSTRUCTIONS

This product should be grounded. In the event of an electrical short circuit, grounding reduces the risk of electric shock by providing an escape wire for the electric current. This product is equipped with a cord having a grounding wire with a grounding plug. The plug must be plugged into an outlet that is properly installed and grounded.




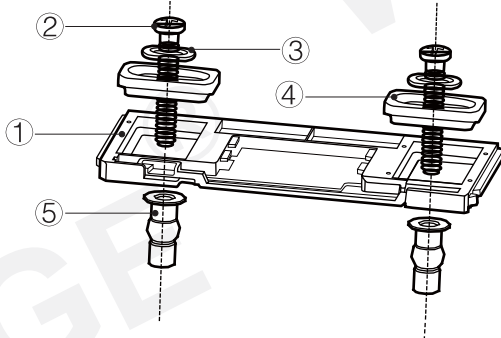
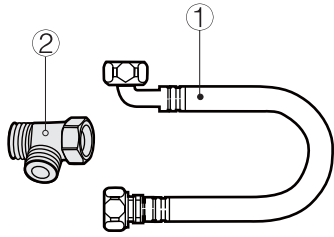
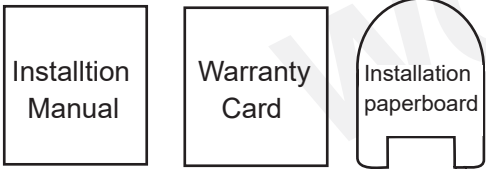
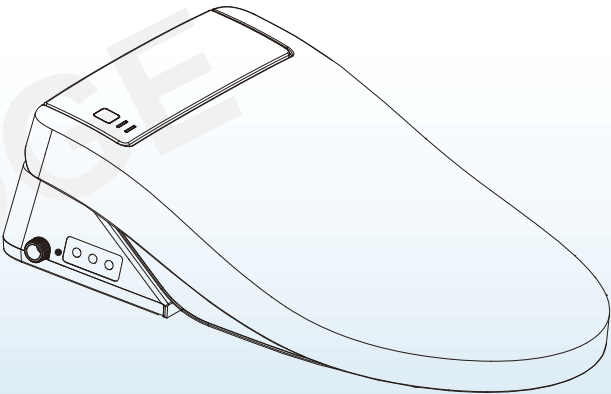
DANGER – Improper use of the grounding plug can result in a risk of electric shock.

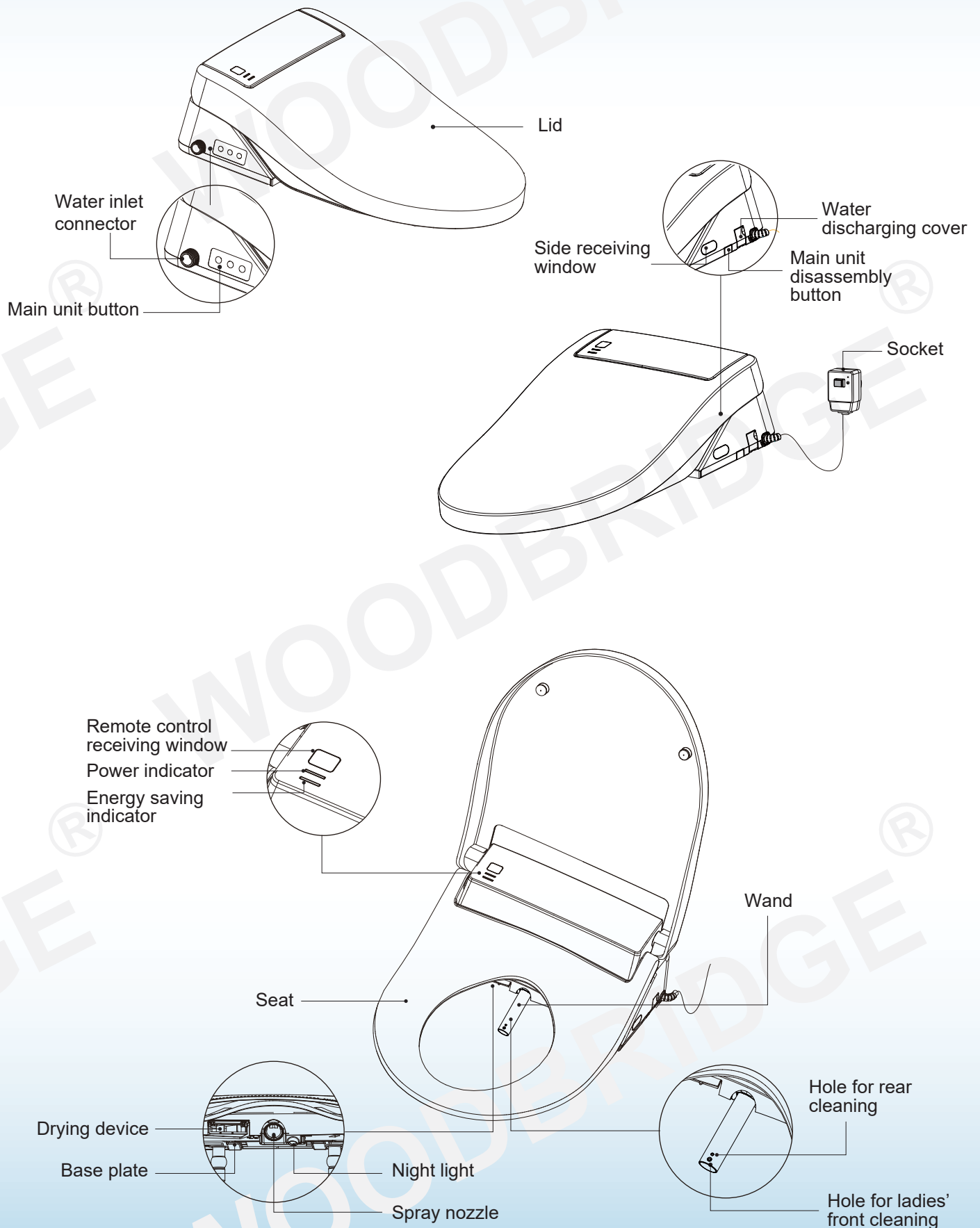
If repair or replacement of the cord or plug is necessary, do not connect the grounding wire to either flat blade terminal. The wire with insulation having an outer surface that is green with or without yellow stripes is the grounding wire.

This product is factory equipped with a specific electric cord and plug to permit connection to a proper electric circuit. Make sure that the product is connected to an outlet having the same configuration as the plug. No adapter should be used with this product. Do not modify the plug provided — if it will not fit the outlet, have the proper outlet installed by a qualified electrician. If the product must be reconnected for use on a different type of electric circuit, the reconnection should be made by qualified service personnel.

SAVE THESE INSTRUCTIONS

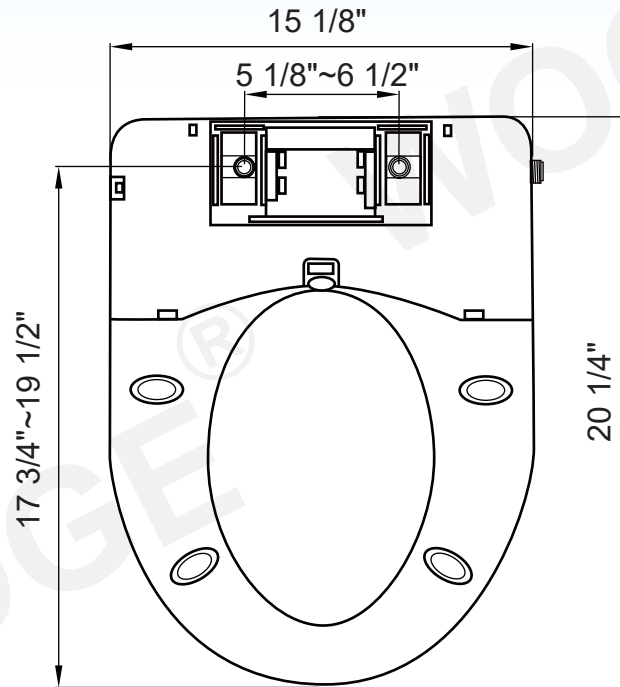
Main Unit	Rating pressure	AC 110-120V,50/60Hz
	Rating power	1050-1250W
	Water pressure range	Minimum water pressure 0.07MPa (20L/min. flowing pressure). Maximum water pressure 0.8MPa (Hydrostatic pressure)
	Electrical wire	length is about 1.8m
Cleaning device	Container capacity	600ml
	Heating power	1000W
	Water temperature	6 different level adjustment
	Water volume	5 different level adjustment
	Cleansing mode	Rear cleaning/Rear massage,Front cleaning for ladies
	Spray cleansing location	5 different level adjustment
	Water pressure protector	Pressure stabilize,Automatic pressure discharging
	Anti-fouling device	Speedy water discharge device, Automatic nozzle cleaning, Anti-syphon device, Anti-backflow device, Filter device
	Safety device	Temperature controller, Thermal fuse, Ground protection, Leakage protection device, Air burning preventer
Drying device	Warm wind speed	Over 4 M/S
	Warm wind temperature	6 different level adjustment
	Heating power	250W
	Safety device	Temperature sensor, Temperature controller, Thermal fuse
Heated seat	Surface temperature	6 different level adjustment
	Heating power	50W
	Open and close device	Quiet soft-closing device
	Heated burning protection	The seat temperature will automatically lower to level 1 in 10 minutes after using
	Safety device	Seat sensor, Temperature sensor, Temperature controller, Thermal fuse
Intelligent	Night light assembly	Intelligent,often in the off state
	Mute setting	Buzzeroff during night
	User ID setting	To avoid disturbance from remote controls by multi-user

<p>Remote Control Panel Parts</p>		
<p>Base Plate Parts</p>	<ul style="list-style-type: none"> ① Base plate ② Bolt (2pcs) ③ Flat Washer (2pcs) ④ Plastic Plate (2pcs) ⑤ Expansion Nut (2pcs) 	
<p>Water Supply Assembly</p>	<ul style="list-style-type: none"> ① Water Supply Pipe (1pcs) ② 3-way Connector (1pcs) 	
<p>Installation Manual Warranty Card Installation paperboard</p>	<p>Installation Manual</p> <p>Warranty Card</p> <p>Installation paperboard</p>	
<p>Main Unit</p>		



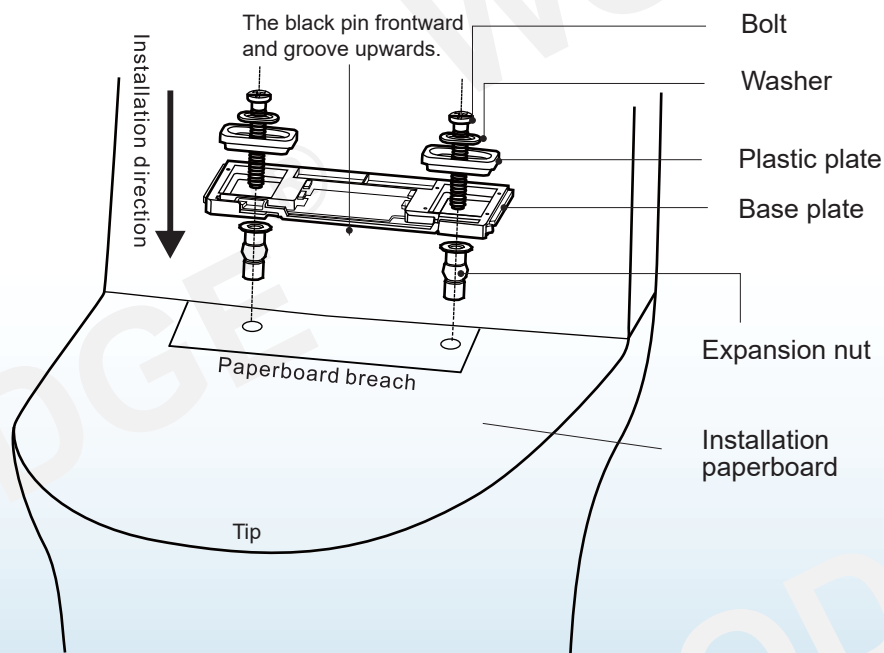
Installation dimension

Note: please check if the installation dimension matching the user's toilet.



Installation of mounting plate

Press the expansion nuts into the installation holes in the toilet, then install the base plate, plastic plates, flat washers and bolt as per the drawing and tighten the bolts.



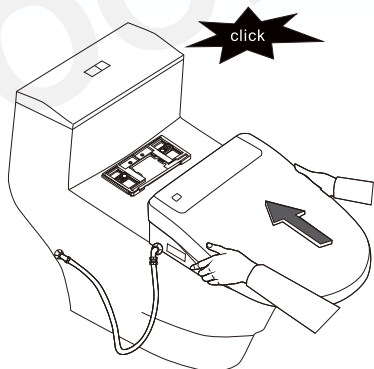
Note:

Unfold the installation paperboard, align the paperboard well fit ceramic bowl from the tip, and then insert base plate to the paperboard breach to make sure base plate allign with paperboard breach.

Installation and disassembly of main unit

Installation

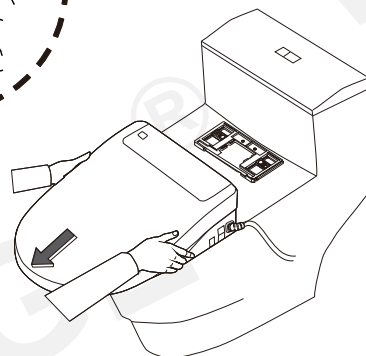
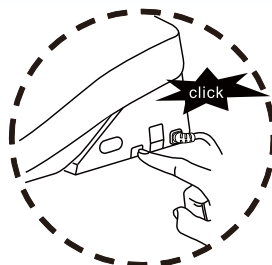
Push the washlet back onto the base plate until a “click” is heard.



Installation

Disassembly

Press the “removal button” on washlet, until a “click” is heard, and pull it out.



Disassembly

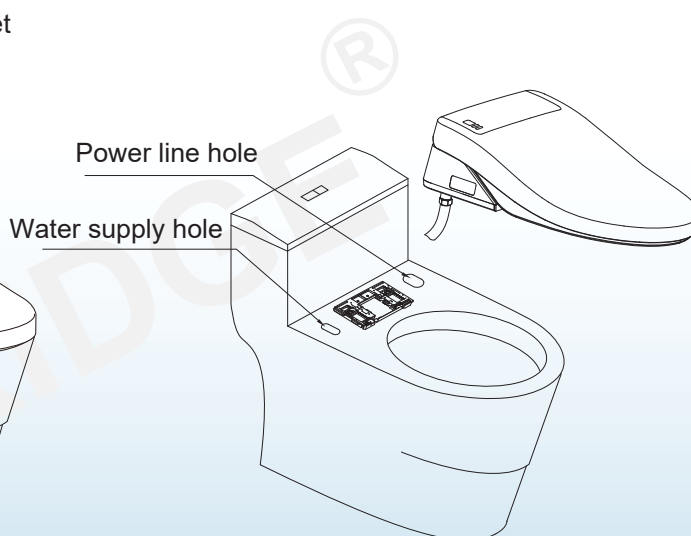
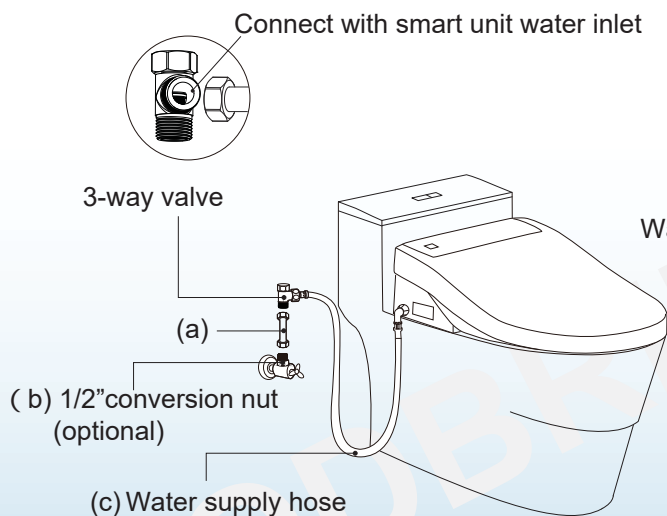
Note:

Before pulling out the washlet, release hand from “removal button”.

Connecting the water supply pipe

1. Side inlet: Install the 3-way valve onto angle valve, then attach the water supply hose and the washlet inlet hose into 3-way valve. Connect L-shaped end of water supply hose to the washlet inlet connector. [(a) and (b) parts not included in the water supply assembly.]

2. Bottom inlet: Connect water supply on the inlet connector, then put supply hose and power line through the relevant holes, finally install seat cover.



Note:

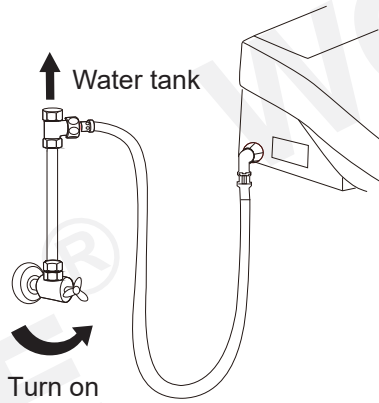
Do not distort or damage the supply hose to avoid any leakage.

Do not use water supply hose and other accessories of other brands, which may cause danger.

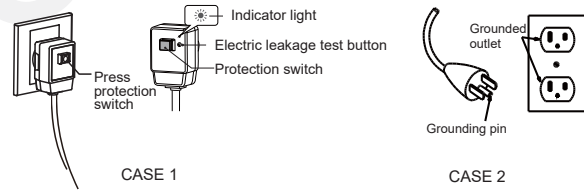
Do not recommend to use our old water supply hose and accessories, which may cause danger.

Checking the power and water supply

Connect the water supply hose and turn on the angle valve. Check if any leakage.



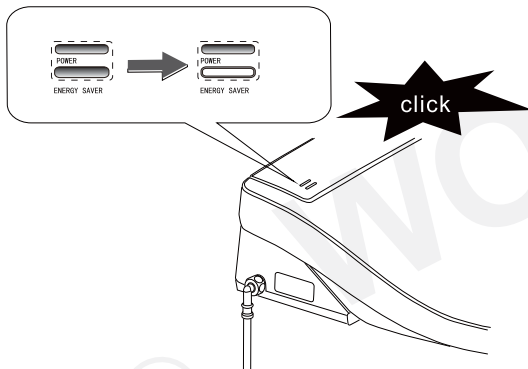
Insert power plug into power socket.



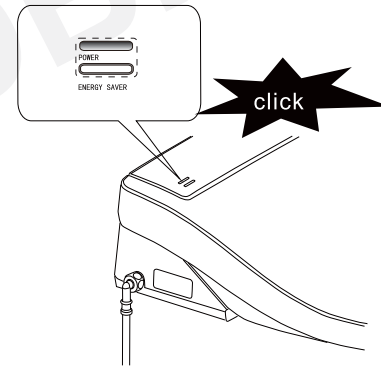
NOTE:
If it's an electric leakage protection plug, press protection switch, indicator light is on which means there is electricity. Press electric leakage test button prior to usage, protection switch bounces to show that protection function works normally.

NOTE:
If it's not an electric leakage protection plug, insert power plug into power socket directly.

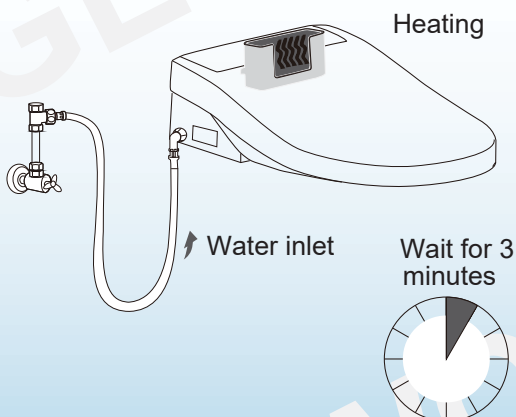
The main unit buzzer rings first "click", the power light and energy saver light will flash. Power light on and energy saver light off means self-inspection.



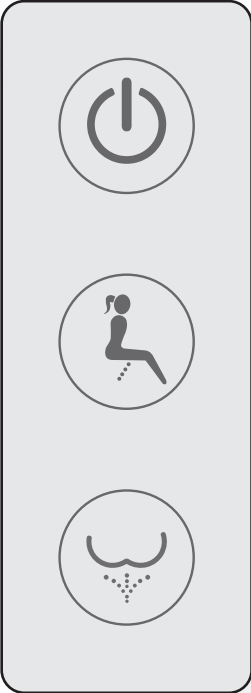



The buzzer rings second "click" to show that self-inspection is finished.



The water starts to flow into tank and heating will take 3 minutes.



Function illustration of keys in main unit and actuator

	 Power	<ol style="list-style-type: none"> 1. Long press "Power" button to enter standby mode; and then quick press "Power" button to restore functional mode. 2. When people sit, press "Power" button to stop the function of rear, front cleaning or drying. When no one sits, press "Power" button to switch between function mode and power save mode.
	 Front cleaning button	When people sit, press "Front cleaning" button, it will clean the front portion of body; repress "Front cleaning" button or "Power" button, the function will be finished. After a cycle, this function will be finished automatically, if people keep sit, it will switch to drying function, and will stop after a cycle.
	 Rear cleaning button	<ol style="list-style-type: none"> 1. When people sit, press "Rear cleaning" button, it will clean the rear portion of body; repress "Front cleaning" button or "Power" button, the function will be finished. After a cycle, this function will be finished automatically, if people keep sit, it will switch to drying function, and will stop after a cycle. 2. When no one sits, press "Rear cleaning" button, then the wand will stretch out to clean the nozzle and spray wand.

Remark:

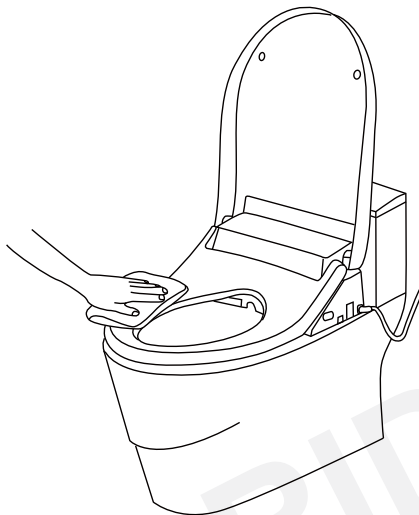
1. When main unit is in functional mode, the light of power goes on and energy saver light is off; When in energy save function, the light of power goes off, and energy saver light is on; When in standby mode, both lights are off.
2. The default setting of all function is on middle level, after using remote-controller, shift to the level showing on remote-controller.
3. If the product is not used for continual 72 hours, the water in the tank will automatically discharge for 90 seconds and replaced by fresh water, to avoid bacteria.

Function illustration of keys in remote-control and LCD display instruction

- The operating method of remote control shows in instruction manual.

Main unit maintenance

1. Shut off power supply at maintenance.
2. Turn the seat upward open, press down the button located on the right side of main unit and pull out the seat. Wipe the stain with a soft damp cloth.
3. After cleaning, re-install the seat back to main unit.



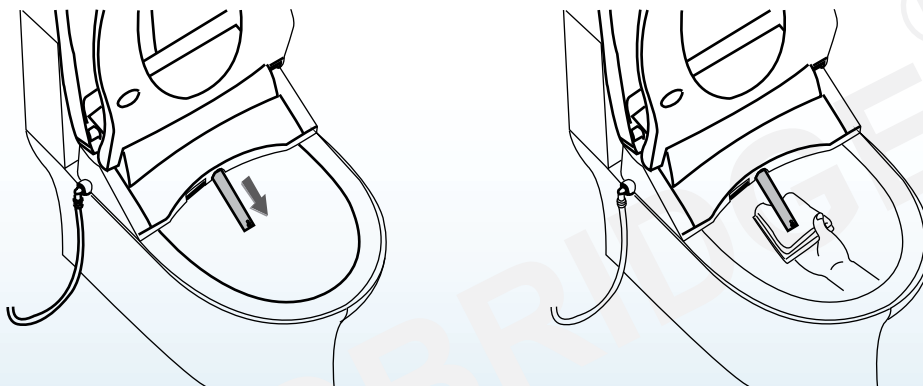
Note:

Do not pour the water on the product at maintenance.

Spray nozzle maintenance

Do the following to clean the wand.

1. Press “nozzle cleaning” or “rear cleaning” button for a while and wand will come out. Wipe the wand clean with a soft damp cloth.
2. Hold “nozzle cleaning” button and the wand doesn’t come out. The nozzle will automatically spray to self-clean.
3. Press again “nozzle cleaning” or “stop” or “rear cleaning” button, it will stop the cleaning.

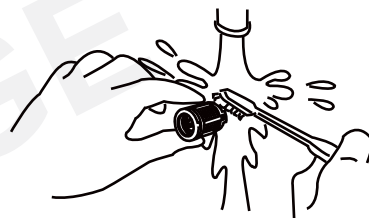
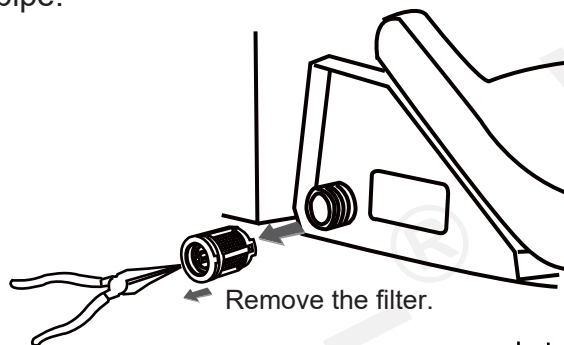


Note:

Do not apply force when pushing or pulling the wand, as this may damage the mechanism.

Inlet filter cleaning

1. Pull out electrical plug, then shut off water supply valve and remove water supply hose.
2. Remove the filter. Use the brush to clean the filter.
3. Put the filter back into inlet after cleaning. Then connect the water supply pipe.

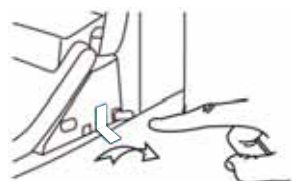


Tank anti-freezing and anti-bacterial maintenance

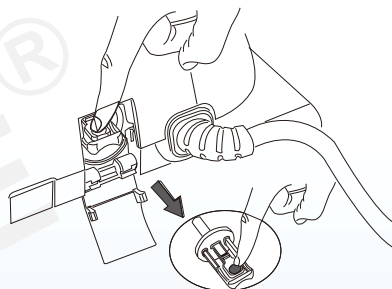
When room temperature is under zero and electricity is disconnected, or user is away for a long time. The water inside the tank should be discharged.

- 1) Open the tank cover, press the discharge button, turn on valve to discharge the water.
- 2) Slightly press the discharge button protruding part to turn off discharging valve and cover.

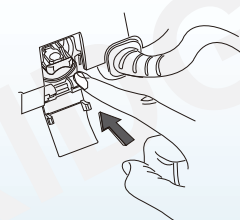
①




③



②



Note : Before water discharging, the power must be cut off!

Problem	Cause	Solution
No flushing	Water supply hose buckling causes block	Solve the buckling
	Fill valve is off	Turn on the fill valve
	Water supply is cut off	Connect water supply and wait for the water
Poor flushing	Water supply hose buckling causes partial block	Solve the buckling
	Fill valve is not fully turned on	Turn on the fill valve fully
	Filter is dirty and causes block	Clean the filter
The water is not hot	The water temperature is setted on normal temperature level	Reset the water temperature
	In standby mode or power save mode	Switch to function mode, and then wash after 3 minutes
Seat temperature is not hot	The seat temperature is setted on normal temperature level	Reset the seat temperature
	In standby mode	Shift to function mode for 3 minutes
Wind temperature is not hot	The wind temperature is setted on normal temperature level	Reset the wind temperature
No wind out	In standby mode or power save mode	Shift to function mode to use dry function
Spray wand cannot retracted	Power off	Push back the wand lightly and wait for the power
	Get stuck by impurities	Clear away the impurities
Spray wand cannot stretch out	Power off	Push back the wand lightly and wait for the power
	Do not sit in sensing area	Sit right in the sensing area
Controller cannot display	Reverse the polarity of battery	Reload the battery
 Caution	If the problems cannot be solved as per above methods, please shut-off the power, and contact service providers for maintenance.	
	If the leakage circuit breacker often trips off, it means the products has electricity leakage, so please shut-off the power, and contact service provider for maintenance.	

Retain these installation instructions for future reference!

Thank you for using WoodBridge products!

Customer Service Phone: 562-229-0088. (Monday - Friday 9 AM - 5 PM Pacific Time)

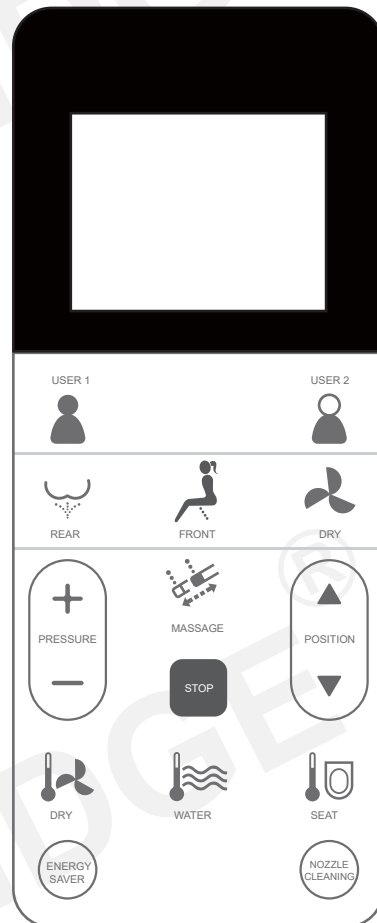
Or Email: help@woodbridgebath.com



USER MANUAL BID 01

WOODBIDGE®

Remote Control Illustration



Thank you for choosing our product. Please read the instructions carefully before installation and keep it available for future maintenance or reference.



Customer Service Phone: 562-229-0088. (Monday - Friday 9 AM - 5 PM Pacific Time)

Or Email: help@woodbridgebath.com

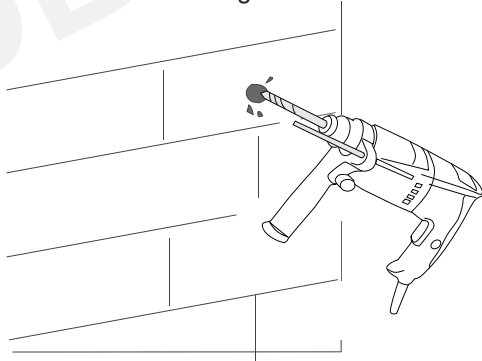
Installation Preparation

Remote control installation

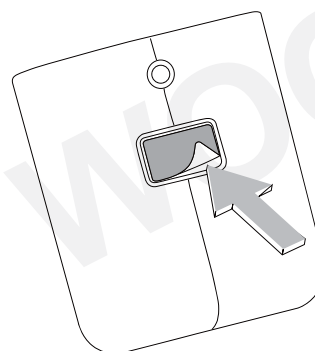
Remote control hanger installation

- (1) Drill a hole of $\phi 6$ mm on the wall with depth of 35mm.

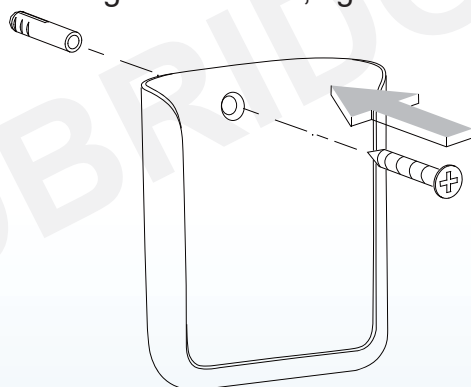
Make sure end-user be able to reach the remote control when sitting on the seat.



- (2) Tear the paster on back of hanger.



- (3) Insert expansion tube into the hole on the wall, install the hanger to the wall with a screw, and paste the double faced adhesive tape on hanger to the wall, tighten the screw.



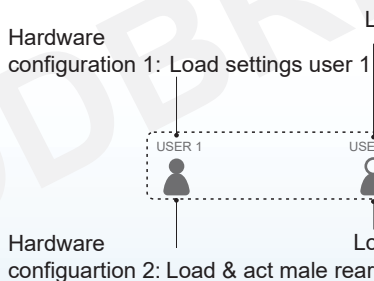
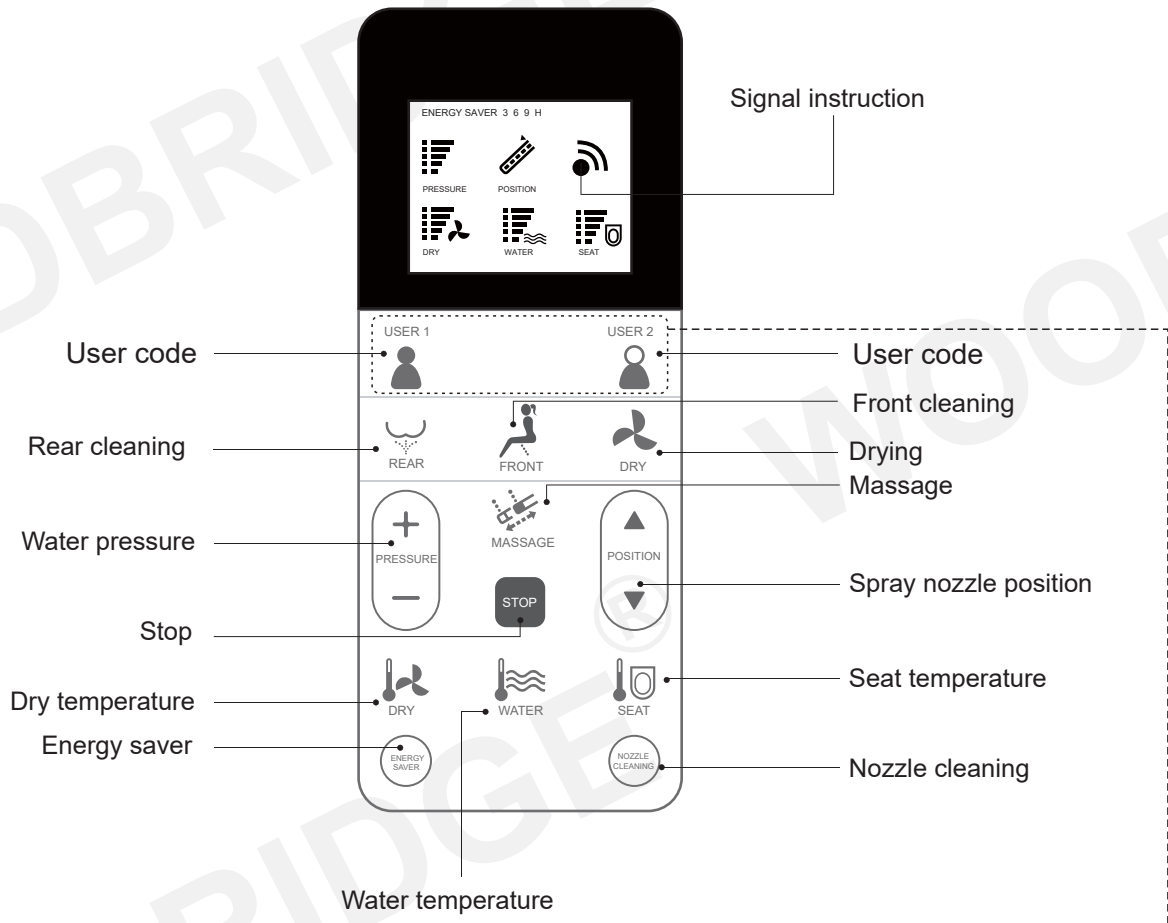
- (4) Install battery and place remote control to the hanger.



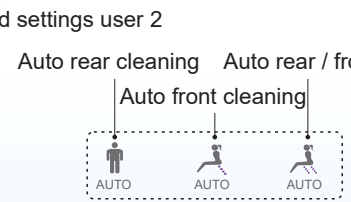
Notice: Please do not install and use the product in moist place, such as steam room, and prohibit to place in the space where is easily got wet.

Usage Instruction

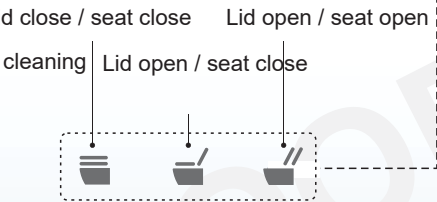
Remote control illustration



Picture 1
Please refer to page 8 for operation method



Picture 2
Please refer to page 9 and 11 for operation method



Picture 3
Please refer to page 8 for operation method

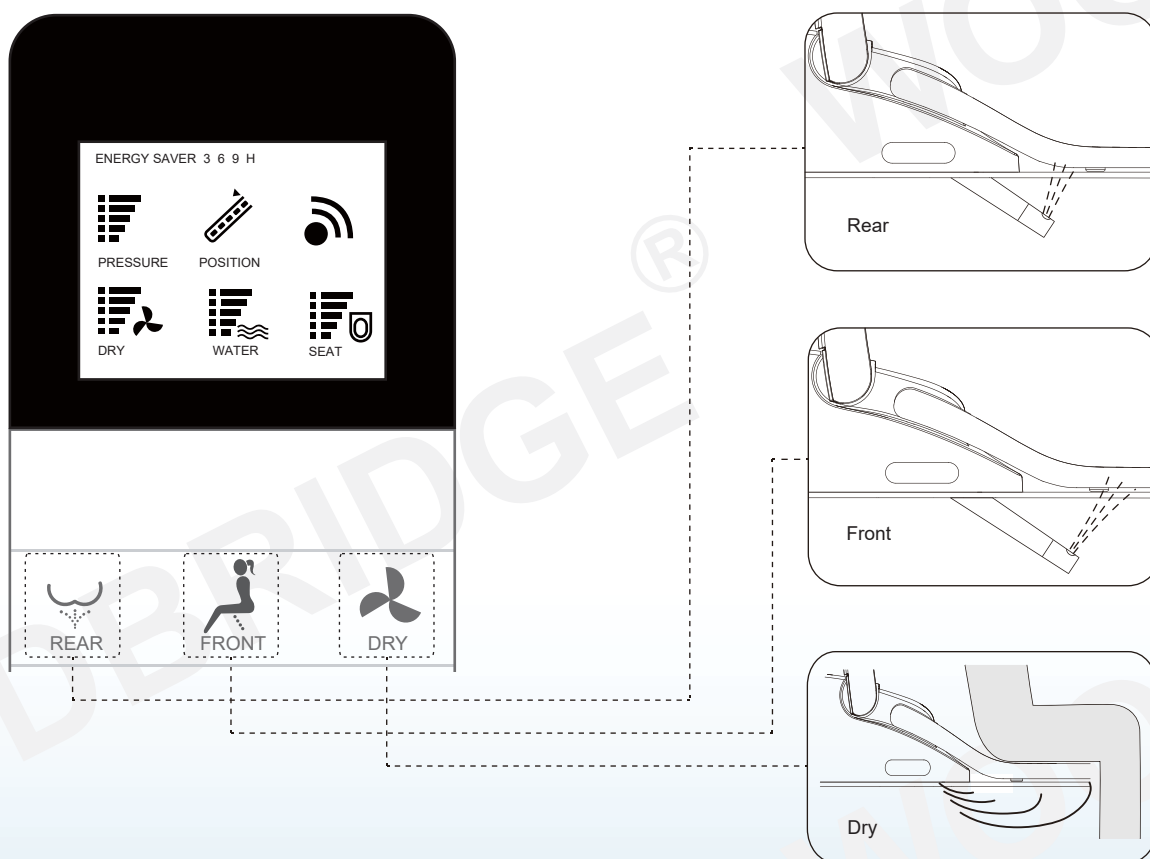
Usage Instruction

Rear/Front cleaning

Press “REAR”/“FRONT” button, the water comes out of wand to clean the rear/front portion of body. It automatically stops after a cycle of cleaning. If press “STOP” button when using, the function will stop immediately.

Drying Operation

Press “DRY” button, warm wind comes out of wand to dry. After a cycle or user leaves the seat, it automatically stops.



Usage Instruction

Massage

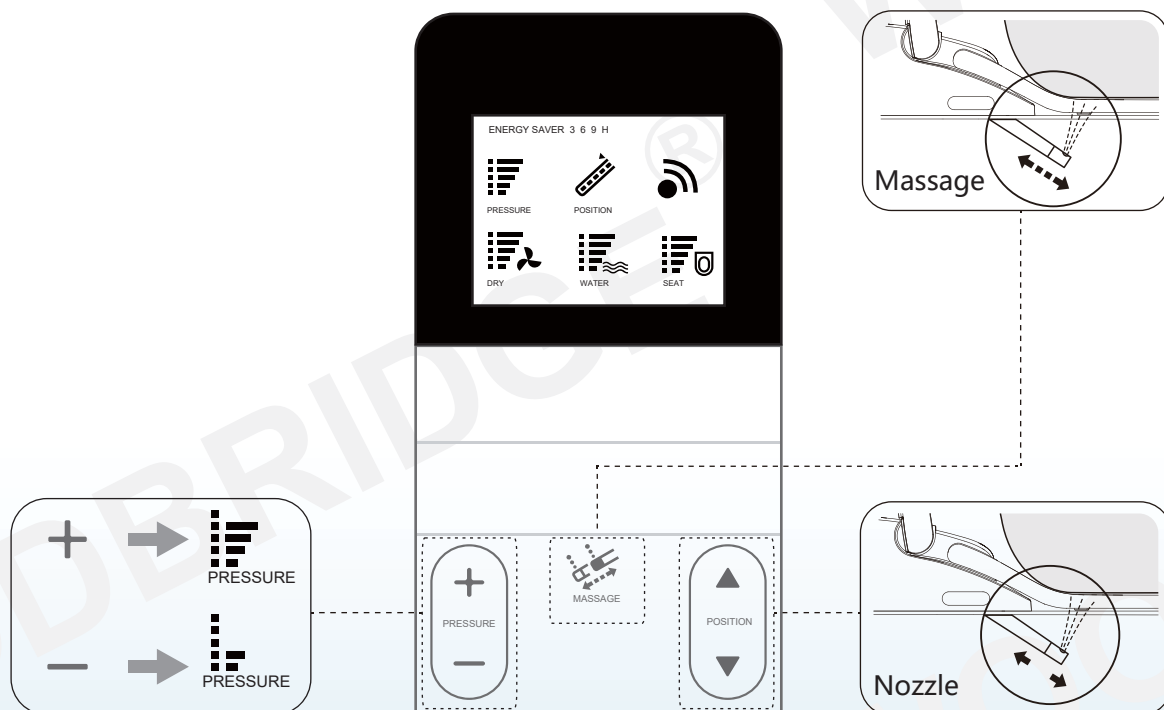
Press “MASSAGE” button to activate massage function, the nozzle moves forward and back to extend the cleaning scope; Press “MASSAGE” button again to stop the function.

Spray nozzle position adjustment

During “REAR” or “FRONT”, press spray nozzle button of “◀” and “▶”, to move the position forward and backward by adjusting 5 levels.

Water pressure adjustment

During “REAR” or “FRONT”, press water pressure button of “+” and “-”, to adjust pressure for rear and front cleaning.



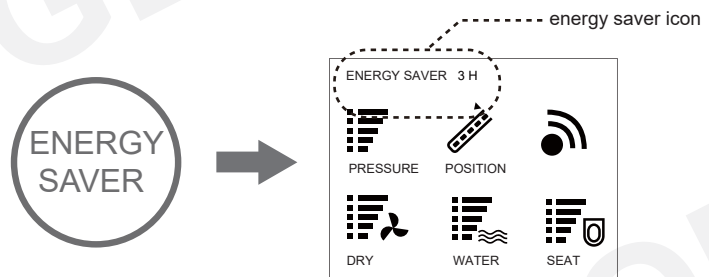
Usage Instruction

Energy saver

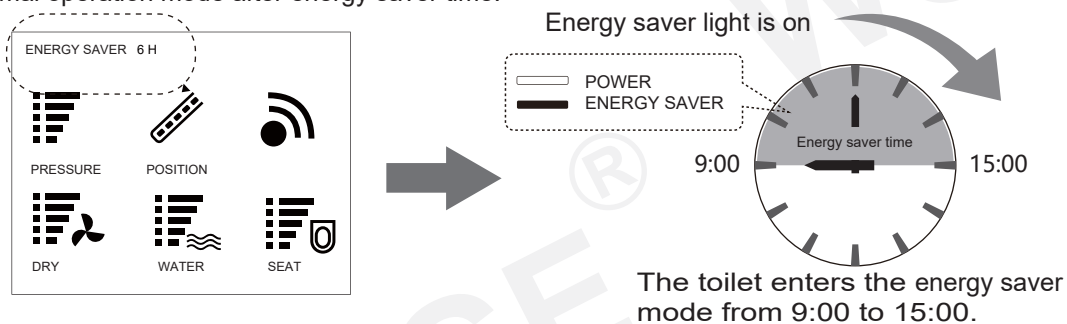
Setting energy saver time

Press “ENERGY SAVER” button, LCD screen shows energy saver and figures. It shows three options of energy saver period as 3-6-9-off, which can be selected accordingly. For example, user can set from 9:00 to 15:00 as energy saver according to following operation.

(1) Press “ENERGY SAVER” button, LCD screen shows “ENERGY SAVER” icon.



(2) Press “ENERGY SAVER” button again, LCD screen shows figure “6”, and the “ENERGY SAVER” icon disappear after 3 seconds, the setting succeeds. The toilet enters the energy saver mode from 9:00 to 15:00 every day. During this period, power light is off, and the energy saver light is on. It goes back to normal operation mode after energy saver time.



(3) Cancel energy saver set: Press “ENERGY SAVER” button continuously until this function is cancelled. (Nothing display on the screen.)

Energy saver:

The toilet will be under energy saver mode automatically after setting. Under energy saver mode, seat temperature is on low temperature status (first level) to achieve energy saver.

Notice:

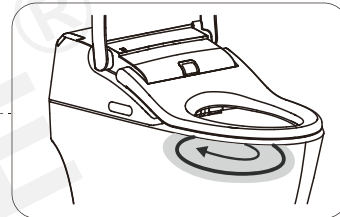
If user sits on the seat, the energy saver mode is paused, and enters into the function mode, the seat starts to heat immediately (under opening seat temperature circumstance). The energy saver mode restores after user leaves.

When the energy saver mode is set, the icon disappears automatically, which is normal set.

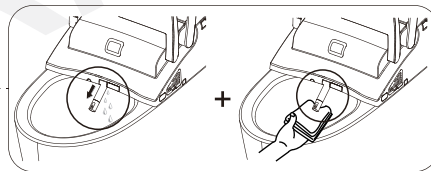
Usage Instruction

Full flush (Only for the toilet with auto flush function)

Press "FLUSH" button to activate full flushing.

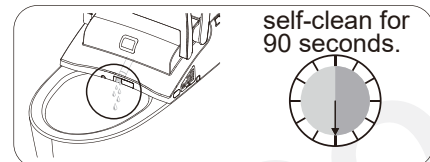


Nozzle cleaning



Nozzle self-cleaning by quick press:

Quick press "NOZZLE CLEANING" button, the nozzle self-cleans for a while and move to the front position (no spray). People can continue to clean nozzle manually.



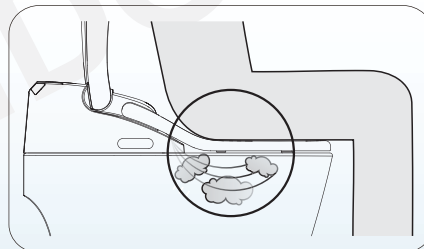
Nozzle self-cleaning by long press:

Long press "NOZZLE CLEANING" button, the spray won't move forward and nozzle self-cleans for 90 seconds.

Automatic deodorization (Only for the toilet with auto deodorization function)

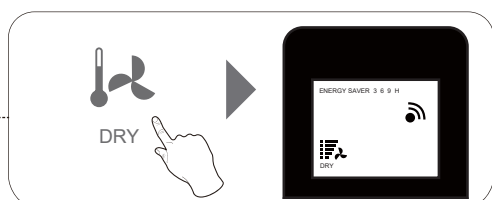
Remark:

The deodorization function starts to work automatically as the user sits on the seat and stops automatically 3 seconds after the user leaves the seat. When drying, the function of automatic deodorization stops.



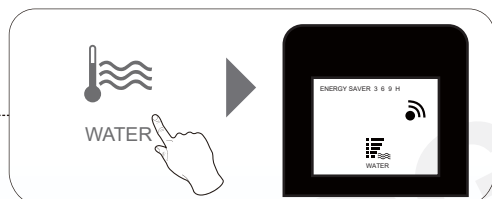
Usage Instruction

Temperature adjustment



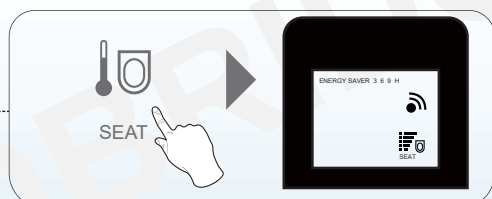
Dry temperature adjustment:

Press "DRY" button to adjust temperature for drying.
The LCD display of 1 to 5 lines means level 1 to 5. NO display means normal temperature. To adjust level by up and down cycle.



Water temperature adjustment:

Press "WATER" button to adjust temperature for rear and front cleaning.
The LCD display of 1 to 5 lines means level 1 to 5. NO display means normal temperature. To adjust level by up and down cycle.



Seat temperature adjustment:

Press "SEAT" button to adjust temperature of seat. The LCD display of 1 to 5 lines means level 1 to 5. NO display means normal temperature. To adjust level by up and down cycle.

Usage Instruction

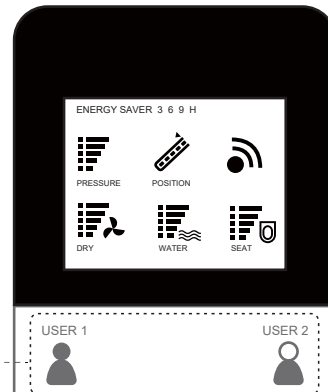
User code (Only for the toilet with User code function)

Long press "USER 1" or "USER 2" button to save the parameters, including current pressure, nozzle position, dry temperature, water temperature, seat temperature and massage status. Quick press "USER 1" or "USER 2" button to use saved parameter.

Hardware

configuration 1: Load settings user 1

Load settings user 2



Hardware

configuration 2: Load & act male rear wash Load & act female bidet wash

Hardware 1 support loading user settings only; hardware 2 support loading & acting user settings simultaneously. Remarks: Hardware 1 & 2 are matched with different smart seat/cover respectively. They do not coexist. Hardware 1 support V8100 series, and hardware 2 support all except V8100 series, generally for now. Configuration refer to factual product version and subject to change.

Auto lid open/close (Only for toilet with this function)

Press "☰" button to close seat cover.

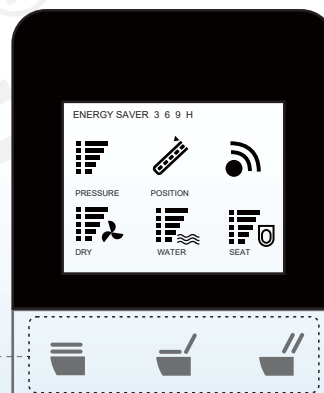
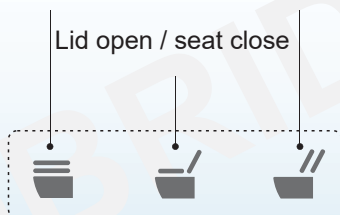
Press "☷" button to open lid and close seat.

Press "☷☷" button to open lid and seat.

Lid close / seat close

Lid open / seat open

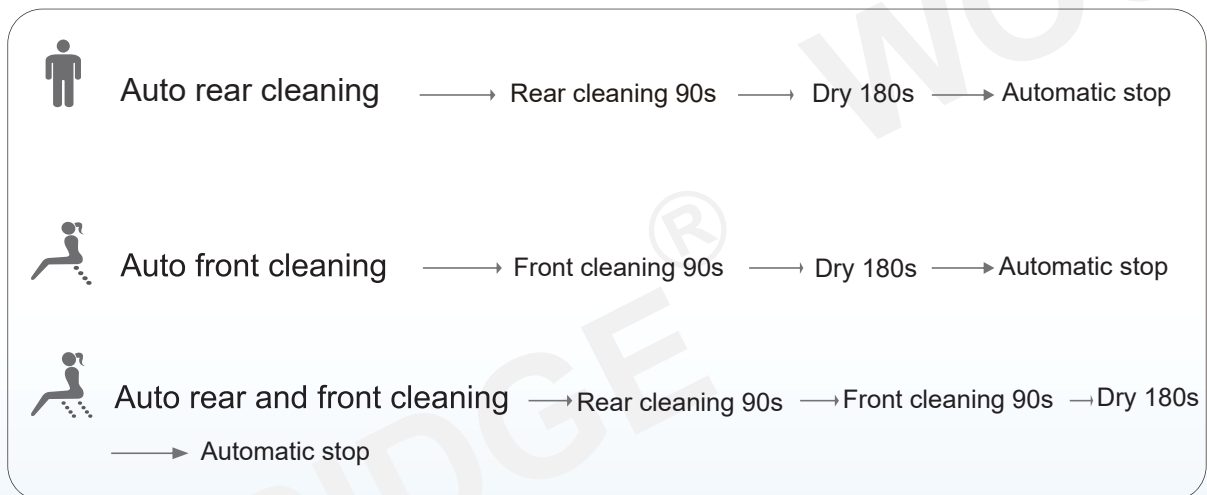
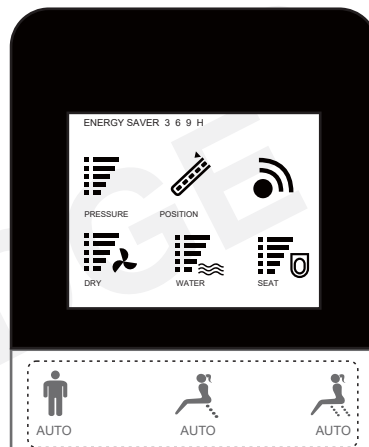
Lid open / seat close



Usage Instruction

Auto function (Only for the toilet with auto flush function)

Full-automatic function can be achieved by three "AUTO" buttons, convenient and practical. User can pre-set the suitable nozzle position, water pressure and temperature and save the setting. Full-automatic function will be activated by pressing the related function button when using afterwards.



Usage Instruction

Combination button

Night light

Press "STOP" button, then "DRY" button, night light will be often in the off state; Repeat the process, night light will switch to intelligent state. Repeat above process constantly, the night light will switch between off state and intelligent state.

Quiet mode

Press "STOP" button and then "MASSAGE" button to turn off buzzer to avoid noise in the night; Repeat the process to start buzzer function.

User code

The user code needs to be set to avoid disturbance from remote controls when more than one toilets are used in the house. Turn on the toilet for setting while turn off others.


- (1) Press "STOP" button and then "REAR" button to enter into user code setting. The remote control shows only water pressure and spray position level, and characters are blinking on the screen.
- (2) Press water pressure buttons of "+" and "-", to choose user code 1-9.
- (3) Press "STOP" button and then "REAR" button again, remote control will save the setting and exit user code setting window, the buzzer will ring "click" to indicate successful setting.

The sum of water pressure and position level on LCD is the user code. Restart to clear the user code and re-set.

Automatic flush button

Press "STOP" button and then "FLUSH" button to start or close automatic flushing function. When the automatic flushing function is turned on, toilet will automatically flush after detecting user sitting for more than 6 seconds and leaving the seat for more than 3.5 seconds.

Auto open/close

Press "STOP" button, and then press "  " button, it is the mode of auto open/close. Repeat above action to stop this function. (This key combination is only for toilet seat with auto open/close function. The default setting of auto open/close is in the off state, so it needs to be turned on at the first-use.)

Remark:

By pressing the button, the signal indicator will flash which means the signal is sent out; Then the buzzer rings "click", which means the main unit receives the signal and executes the instruction. If the signal indicator doesn't flash, that means the button is not efficiently pressed and needed to be re-pressed. If the buzzer does not ring, that means the main unit doesn't receive the signal. Please regulate the remote control direction and re-press the button.

In case of power cut during wand's spray operation, the wand cannot go back to place, please wait until the power is reset. In case of a power cut for a long period, please push the wand softly back by hand. Do not push hard, to avoid damage to wand and electrical machine.

The body should touch the seat and the buzzer rings "click", which means functions of front cleaning, rear cleaning and drying are in operation. The nozzle will continue to spray for 1-2 seconds after user stands up during spray operation, so please press "STOP" button before standing up.

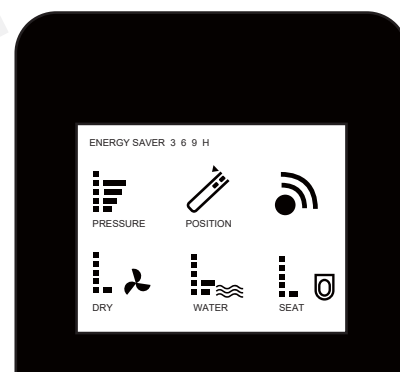
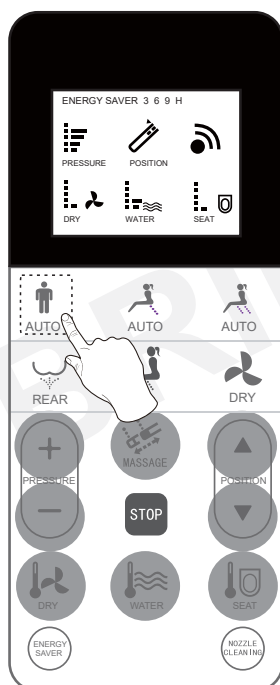
Use nozzle self-cleaning function after user leaves the seat. After cleaning, if user doesn't press "NOZZLE CLEANING" or "STOP" button, nozzle wand will go back after 10 minutes or user sits on the seat.

Set auto function


Set automatic Rear cleaning function

The default setting of automatic function is water pressure on level three, nozzle position on level three, water temperature, wind temperature and seat temperature on level three, the massage function is in the off state. User can re-set based on personal preference.

(1) Adjust water pressure, nozzle position, temperature by function button in below grey circle, and open/close massage function.




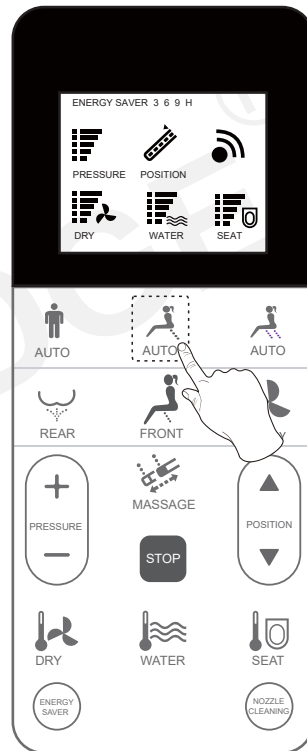
For example, the nozzle position is on level 2, and massage function is open; the water pressure is on level 4; water temperature is on level 2, while dry temperature and seat temperature are on level 1.


- (2) After setting is completed, long press rear cleaning automatic button for 3 seconds to save the setting.
- (3) After above steps, quick press “” afterwards when using, LCD displays the previous saved settings of rear cleaning level, temperature level and massage status. By this time, the toilet operates rear cleaning 90s, and then dry 180s automatically without pressing other buttons.
- (4) During automatic rear cleaning, user still can change the level, temperature and massage status, and press “REAR” button 3 seconds to save the new settings.

Set auto function

Set automatic Front cleaning function

- (1) Press spray nozzle position adjustment button to adjust nozzle to suitable position; Press “+”, “-” to adjust water pressure; set temperature level; open/close massage function.
- (2) Press “” front cleaning automatic button for 3 seconds, see below picture, and save the setting.



- (3) After above steps, quick press “” afterwards when using, LCD displays the previous saved settings of front cleaning level, temperature level and massage status. By this time, the toilet operates rear cleaning 90s, and then dry 180s automatically without pressing other buttons.
- (4) During automatic front cleaning, user still can change the level, temperature and massage status, and press “FRONT” button 3 seconds to save the new settings.

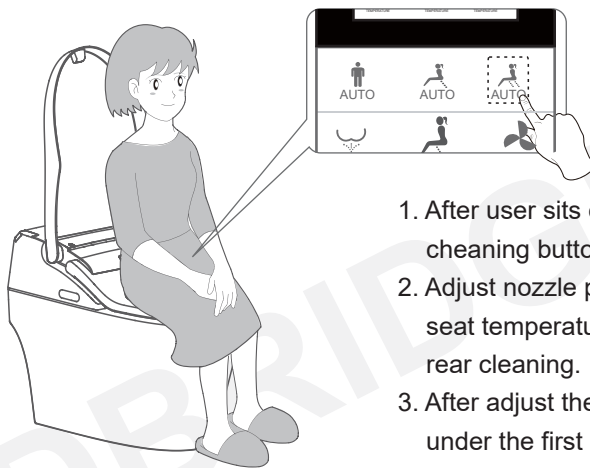
Set auto function

Set automatic Rear and Front cleaning combination function

Note: During using toilet, user can find the suitable level and temperature after comparing repeatedly. Please set the automatic Rear and Front cleaning combination function during using toilet.

The first stage: rear cleaning 90s

(1) Automatic Rear and Front cleaning combination function includes rear cleaning 90s, front cleaning 90s and drying 180s. User can adjust level and temperature in different stages.



1. After user sits on the toilet, press automatic Rear and Front cleaning button, it starts to rear cleaning about 90s.
2. Adjust nozzle position, water pressure, wind temperature, seat temperature and open/close massage function during rear cleaning.
3. After adjust the parameters, remote control saves the parameters under the first stage.
4. During adjusting, if user adjusts many times, the remote control saves the latest parameter.

The second stage: front cleaning about 90s

(2) After finishing rear cleaning, toilet enters front cleaning stage automatically. User can set nozzle position, water pressure, temperature and open/close massage function, and the remote control saves the latest parameter under the second stage.

The third stage: Drying about 180s

(3) After finishing front cleaning, toilet enters drying stage automatically. User can set wind temperature, and the remote control saves the latest parameter under the third stage.

(4) After set all parameters, quick press "AUTO" button afterwards when using, LCD displays the previous saved settings. By this time, the toilet operates rear cleaning, front cleaning and drying automatically by one-button operation. If user needs to change previous settings, please repeat step 1-3.

Thank you for using WoodBridge products!

Customer Service Phone: 562-229-0088. (Monday - Friday 9 AM - 5 PM Pacific Time)

Or Email: help@woodbridgebath.com

www.woodbridgebath.com