

WOODBIDGE[®]

BID21 NON-ELECTRONIC BIDET SEAT

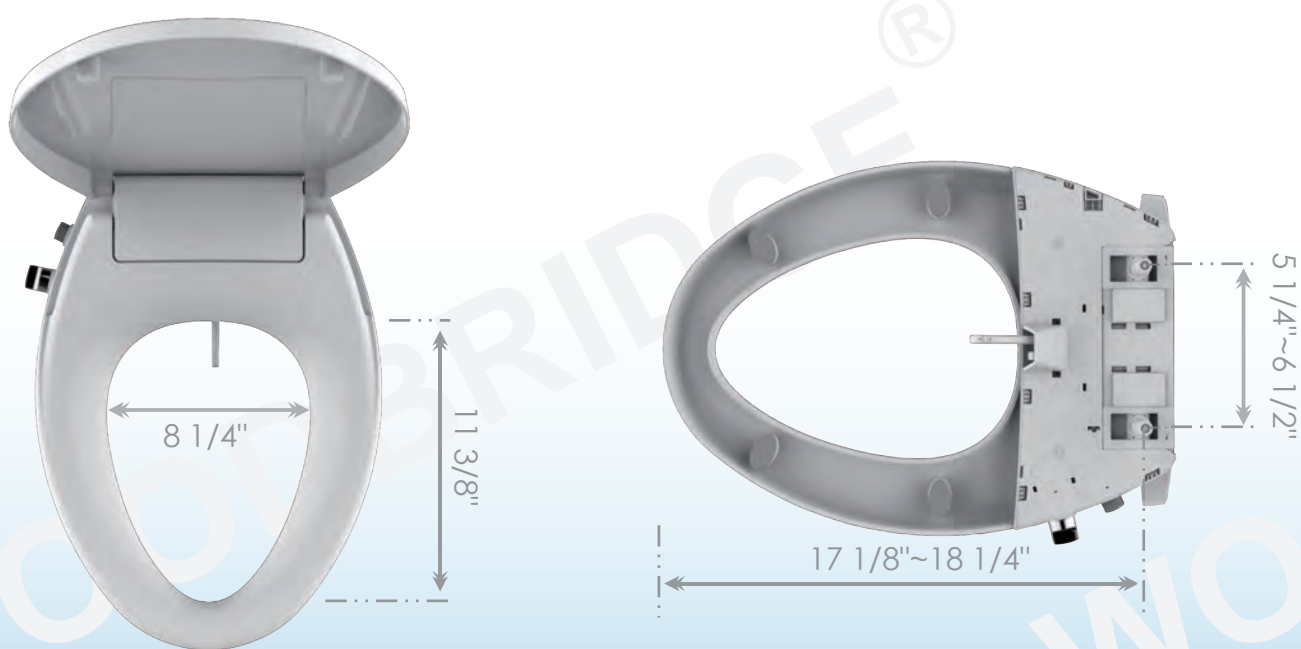
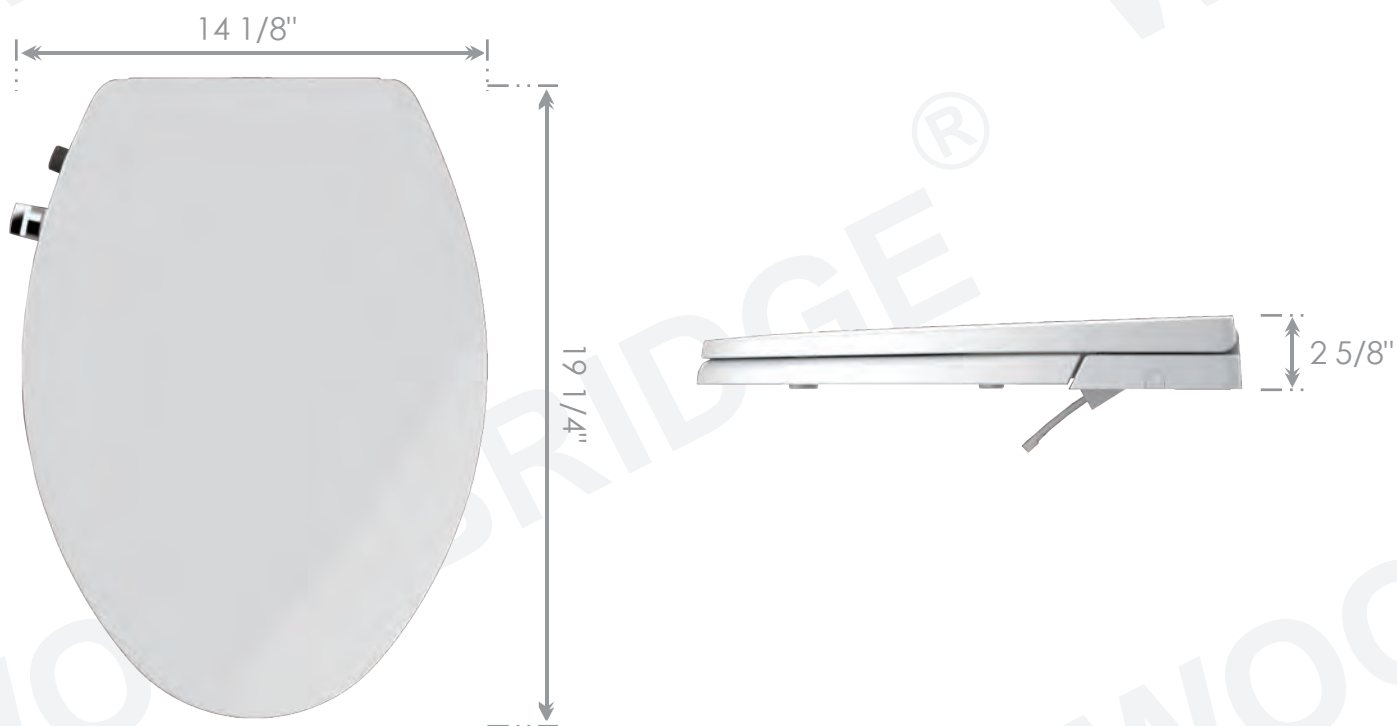


Customer Service Phone: 562-229-0088. (Monday - Friday 9 AM - 5 PM Pacific Time)
Or Email: help@woodbridgebath.com



2020411 REV. 1

- Dimension



Advantages

1. Wide water pressure range, suitable for most of regions.

Water pressure: 0.05MPa (dynamic)~0.8MPa (static)



0.05~0.8Mpa

Advantages

2. Slim design



Advantages

3. Soft close, noise-free



Seat and lid are installed with soft close dampers, noise-free when opening and closing.

Advantages

4. Rotate the knob to switch rear or feminine cleaning



Rear cleaning
(clockwise rotating)

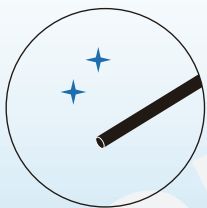


Feminine cleaning
(counterclockwise rotating)

Rotate the rotation angle of knob to adjust water volume

Advantages

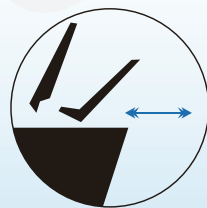
5. Nozzle self-cleaning, anti-bacterial and is removable for cleaning



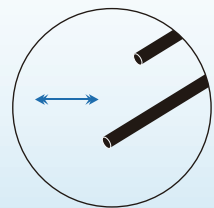
Self-cleaning
nozzle



Anti-bacterial
nozzle



Quick release

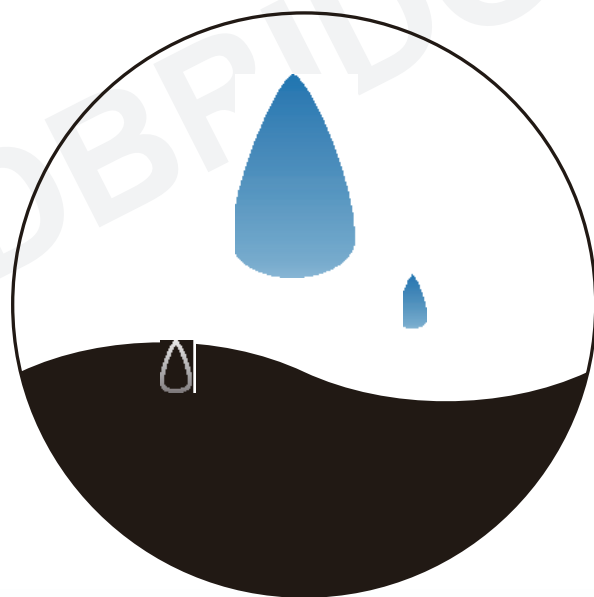


Removable
spray nozzle

Advantages

6. Spray nozzle with Inbreathe design, water-saving

Water-saving, softer and more comfortable cleansing

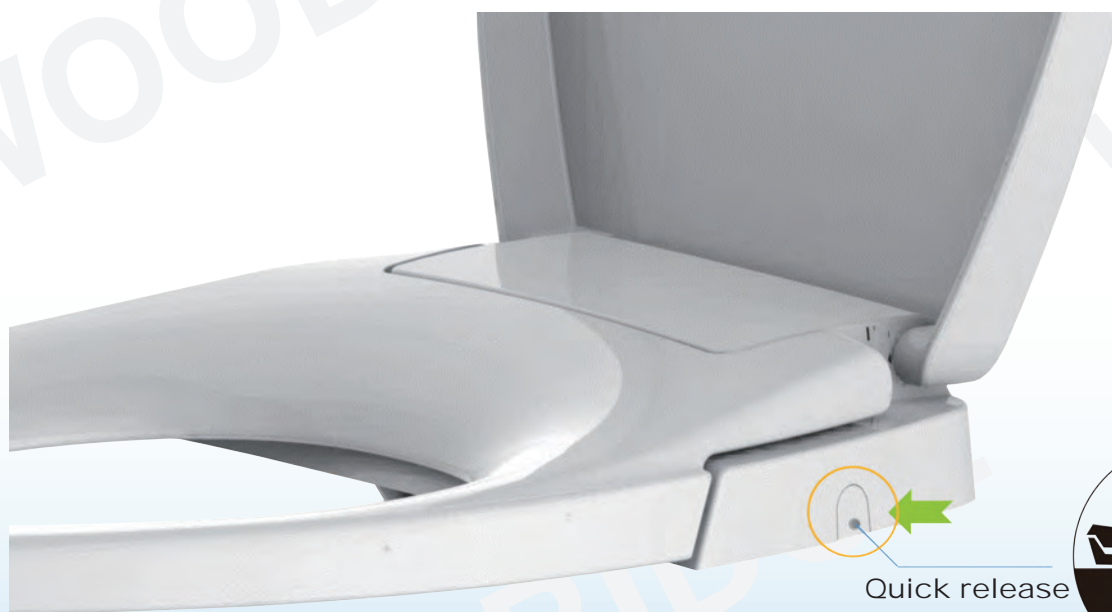


Advantages

7. Spray nozzle with several holes design, softer cleansing



spray nozzle with several holes design, softer cleansing



Quick release

8. Quick-release system, easy installation.

INSTALLATION MANUAL BID21

WOODBIDGE[®]

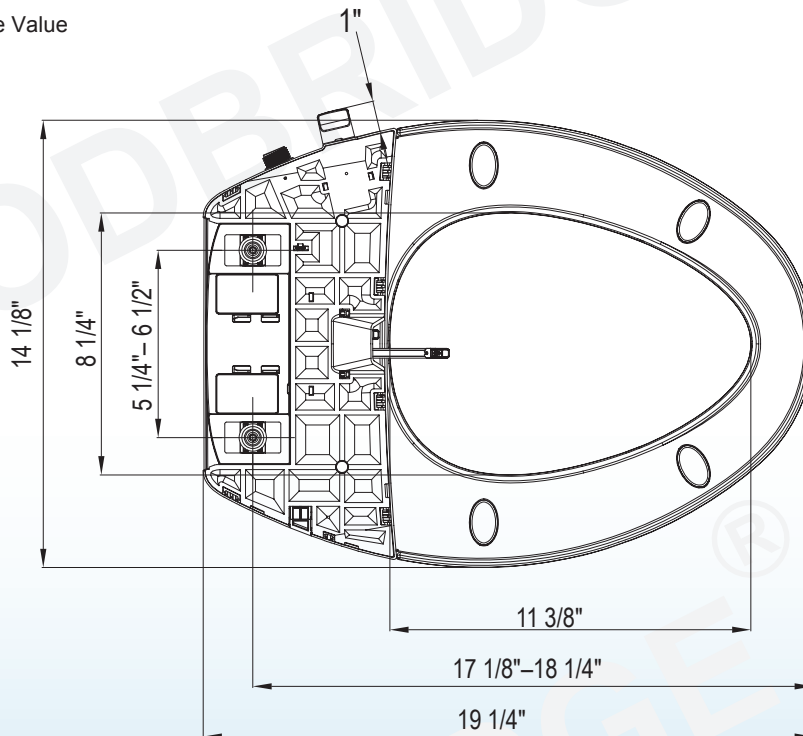
NON-ELECTRONIC BIDET SEAT

BEFORE YOU BEGIN

- Thank you for choosing our Quiet-close toilet seat. We will try our effort to offer you the best service. Our craftsmanship offers you a rare combination of water-saving , intelligent , hygiene sanitary and graceful appearance that will satisfy you in future use .The quality and dependability of our toilet seat will surpass your highest expectations.We're very proud of our products and we know you will be too.
- Please take a few minutes to study this manual.Pay special attention to the Care and Cleaning instructions.
- All information in this manual is based upon the latest product information available at the time of publication. We constantly strive to improve the quality of our products. We reserve the right to make changes in product characteristics, packaging or availability at any time without notice.
- Water pressure range:
Minimum water pressure 0.07MPa(20L/min.floing pressure).
Maximum water pressure 0.8MPa(Hydrostatic pressure)

ROUGHING-IN

Reference Value



Woodbridge reserves the right to change marked dimensions without prior notice.

Customer Service Phone: 562-229-0088. (Monday - Friday 9 AM - 5 PM Pacific Time)

Or Email: help@woodbridgebath.com

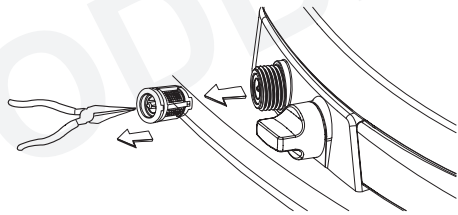
2020411 REV. 1

IMPORTANT CONSUMER INFORMATION

Care and Cleaning

- Inlet filter cleaning

1. Shut off water supply valve and remove water supply hose.
2. Remove the filter. Use the brush to clean the filter.
3. Put the filter back into inlet after cleaning. Then connect the water supply pipe.



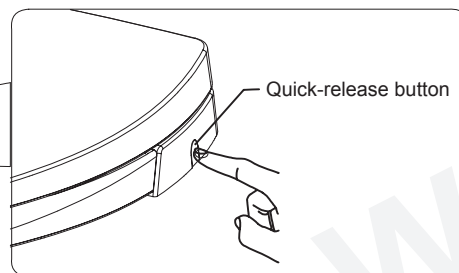
Remove the filter



DISASSEMBLY




- Disassembling of seat cover

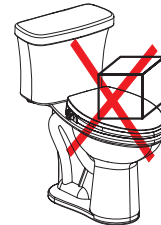


- Press quick-release button, and take out the seat cover by hands as the drawing.

IMPORTANT CONSUMER INFORMATION

Care and Cleaning

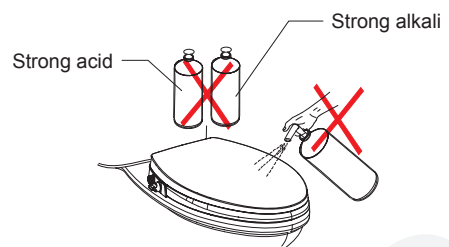
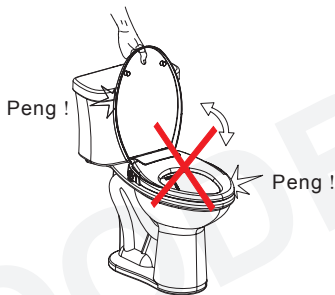
 Remark: Do not stand or place heavy objects on the seat cover.



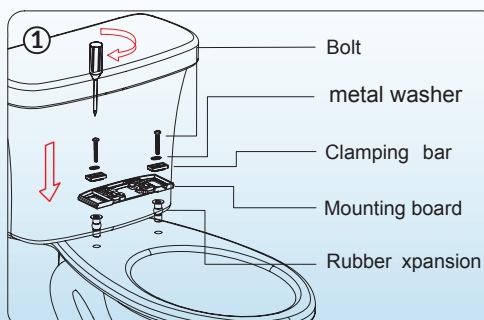
Do not open/close the seat cover using excessive force. (Doing so may cause crack.)

Do not expose the product to direct sunlight.

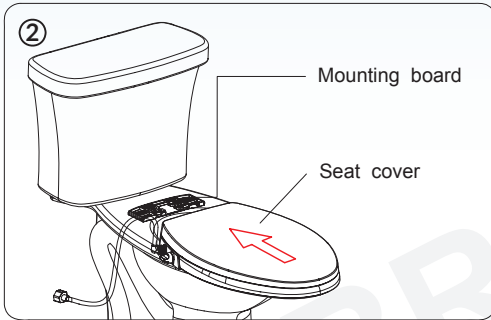
- Clean the outside surface of your toilet seat with mild soap and warm water. Wipe the entire surface completely dry with a clean, soft cloth. You may use soft abrasive cleaners when necessary to clean your toilet seat. Do not use strong abrasive cleaners, as they will scratch and dull the surface. Wipe any surfaces of cleaner solutions from plastic or plated surfaces immediately.
- The toilet seat may be completely removed for a complete cleaning. Refer to the "Toilet Seat Operation" section for detailed information.



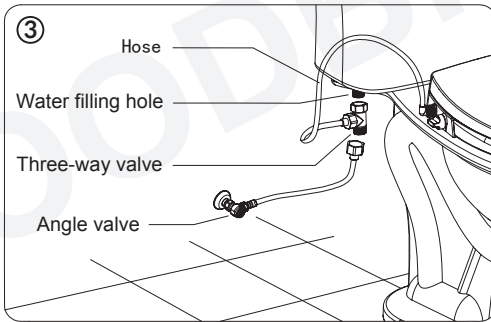
INSTALLATION



- Installation of mounting board.
- Insert rubber expansion nuts into bowl bolt holes, then install mounting board, clamping bar, metal washer and bolt into hinge holes. Using screwdriver to tighten the bolt into rubber expansion nuts.
- The distance from the front of mounting board to the front of toilet is about 420mm.

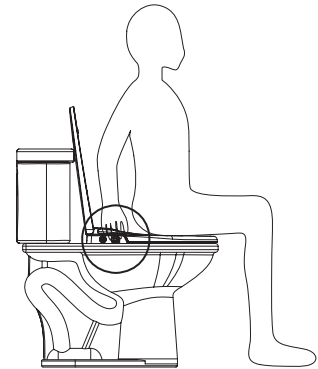
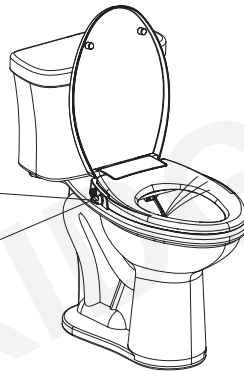
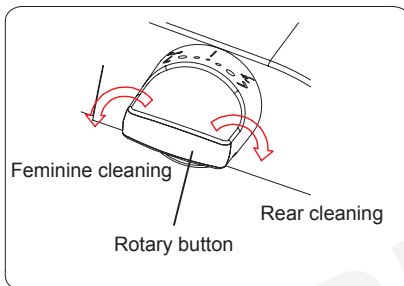


- Installation of seat cover.
- Place the seat cover on the surface of toilet, then push mounting board as the drawing, until the seat cover fasten into mounting board.
- If the seat cover is not assembled in the correct position, please disassemble the seat cover and adjust the mounting board.



- Installation of hose.
- According to the drawing, connect three-way valve to the water filling hole, then connect the hose with three-way valve.

INSTRUCTION



- Feminine cleaning: Rotate the button to "♀", adjust the button angle to appropriate flushing.
- Rear cleaning: Rotate the button to "♂", adjust the button angle to appropriate flushing.
- Stop: When the button is at the horizontal position, the seat cover stops.

Retain these installation instructions for future reference!

Thank you for using WoodBridge products!

Customer Service Phone: 562-229-0088. (Monday - Friday 9 AM - 5 PM Pacific Time)

Or Email: help@woodbridgebath.com