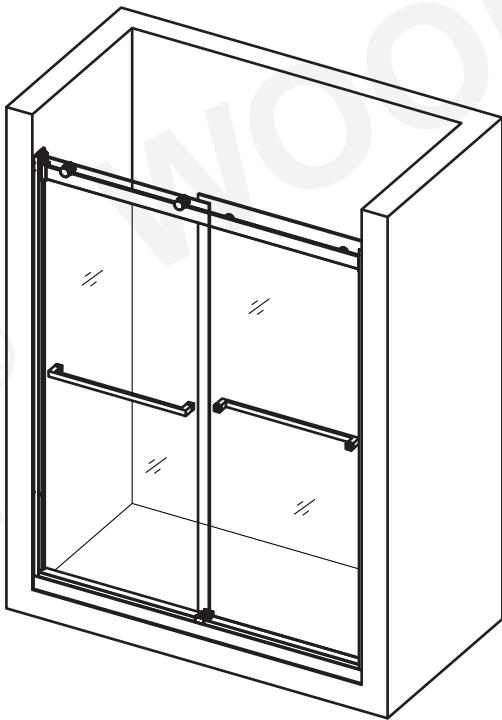


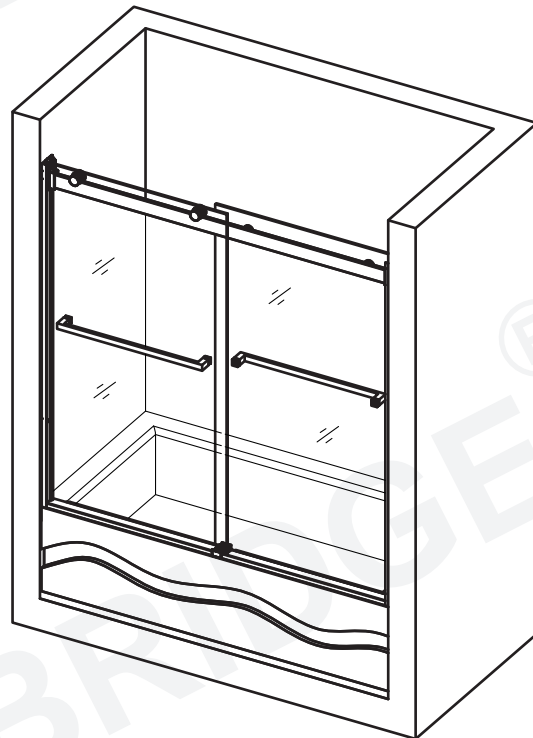
INSTALLATION MANUAL

WOODBIDGE[®] SHOWER DOOR



SHOWER DOORS:

ASD4876
ASD6076



TUB DOORS:

ASD6062

IMPORTANT!

WOODBIDGE reserves the right to alter, modify or redesign products at any time without prior notice for the purpose of product improvement and customer experience. Please refer to WWW.WOODBRIDGEBATH.COM for the latest product details.

Questions?

Please Call Customer Support: 562-229-0088. (Monday - Friday 9 AM - 5 PM Pacific Time)
Or Email: help@woodbridgebath.com

IMPORTANT

- WoodBridge reserves the right to alter, modify, or redesign products at any time without prior notice for product improvement or functionality.
- Professional installation required. This product should be installed by someone experienced with the construction requirements for this type of project, the care necessary to responsibly and safely install, and familiarity with glass installation.
- The safety of all installations is the responsibility of the installer who should be licensed and bonded.
- To prevent breakage and injury, do not attempt to lift, move, or install the glass alone. Use an assist and suction cups intended for heavy glass when applicable.
- To prevent breakage and injury, do not lean or push against glass panels.
- The installation of this model requires drilling into the dam/curb/threshold to properly affix the clip, guide, and threshold. Contact the manufacturer of your base, or tub with any questions regarding drilling into their product, or consult your installation professional.
- This model requires minimum 3" dam/curb/threshold width to complete installation.
- Drawings included in this manual are illustrative only and do not reflect actual scale.
- No out of plumb adjustment.
- Glass cannot be installed if the overall width of the shower opening is greater than the width as described for the product.

WARNING FOR TEMPERED GLASS: TO AVOID RISK OF DAMAGE OR INJURY

- Tempered safety glass is designed that when broken, will shatter into thousands of tiny pieces, greatly reducing the chance of great bodily harm.
- Follow all requirements and recommendations in the instruction manual.
- Perform a thorough inspection of the glass and hardware for any damage prior to installation.
- Do not install damaged glass.
- Do not install or operate if glass panels have chipped corners, slivered edges, or any other visual defect. If damage is found contact WoodBridge immediately. If installed in this state WoodBridge is not responsible for any breakage.
- Do not install glass panels that have been dropped on, or bumped into any surface harder than itself.
- Improper handling may cause breakage.

While incredibly resistant to direct impact, corners and edges are the most susceptible to damage, causing breakage. These edges should be protected and handled with care, never allowed to come into contact with any material harder than itself, such as tile, stone, metal, or even other glass. A concentrated point of impact or contact with such material can cause the glass to shatter. Tempered glass may release all at once, or partially, releasing hours or even days later with vibration and normal use.

- Incorrect installation of the hardware, rollers, stoppers, or glass may cause breakage.

Improper installation would include loose hardware, or lack of gaskets between hardware and glass. Installing out of level or plumb causing extra stress could

• **Improper use of the product.**

Do not place towels or anything else over guide rail. Aggressively opening or closing the slider may cause trauma to the glass which could lead to breakage.

• **Do not attempt to cut tempered glass.**

• **Always wear safety equipment such as goggles, work gloves, proper footwear etc... during installation.**

• **Instruct homeowner on how to conduct periodic inspections and how to properly maintain the glass and all hardware.**

• **Consideration should be given when installing tempered glass products in households with young children or elderly.**

PREPARATION

• **Thoroughly read the instructions before installing or using the product.**

• **After boxes and packages are open, before installation, check that all items from the parts list are there by marking each one off the list.**

• **Examine the glass and parts for defects or damage.**

• **Please note that Woodbridge will not replace any missing or damaged items free of charge after 5 business days or if the product has been installed.**

• **Building codes vary by location and you should refer to your local building codes when installing. WoodBridge is not responsible for code compliance and will not accept returns on that basis.**

• **Prior to installation ensure that all surfaces are smooth and even. Ensure the dam/curb/threshold is level side to side and that it has slope/fall in the direction of the shower pan. Ensure the walls are plumb and the opening measures the same top and bottom. Ensure that the installation surface is solid and able to support the weight of the doors.**

• **Please note that irregular installation surface, round lower corners, or out of plumb walls will result in serious problems for your installation.**

• **Some adjustments and drilling/screwing will be necessary throughout installation.**

• **Woodbridge shower doors are not designed to be installed on fiber glass surrounds that have round lower corners or lack of solid mounting surface.**

• **Glass must never be set down directly on any hard surface. Always use pieces of wood or thick cardboard to protect lower edge at all times. Leave corner protectors in place until it is time to remove them**

Important Note

Attention:

These Woodbridge shower doors include **SHATTER-SAFE** protective film on the side of the glass without the certification information printed on it, see the fig 1 & 2.

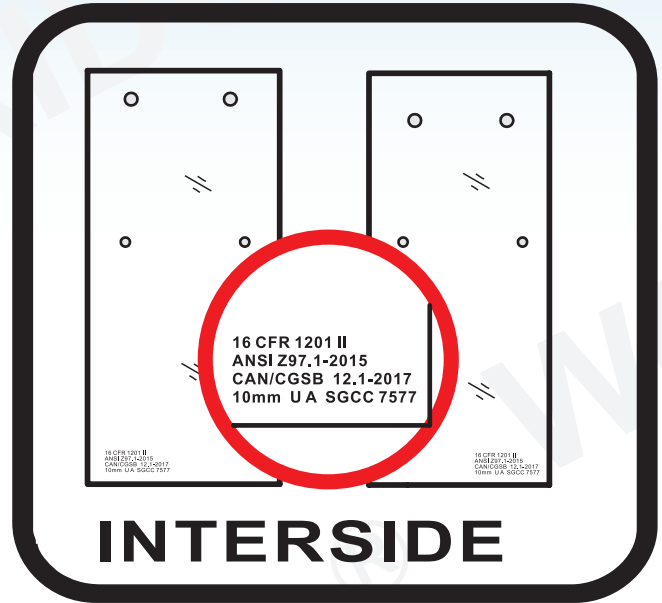


Fig 1

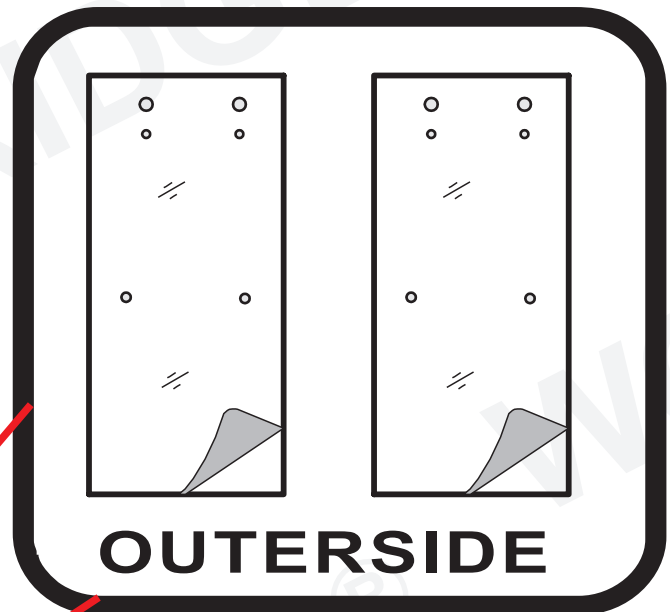
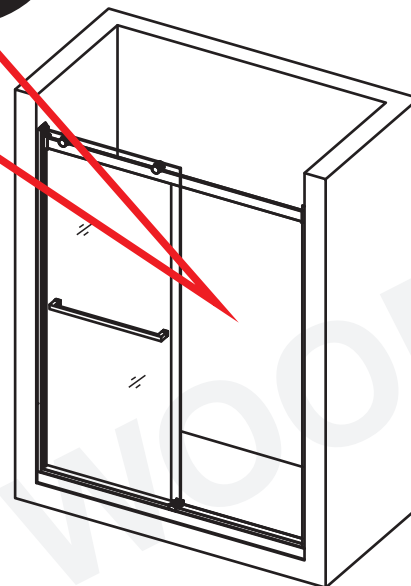
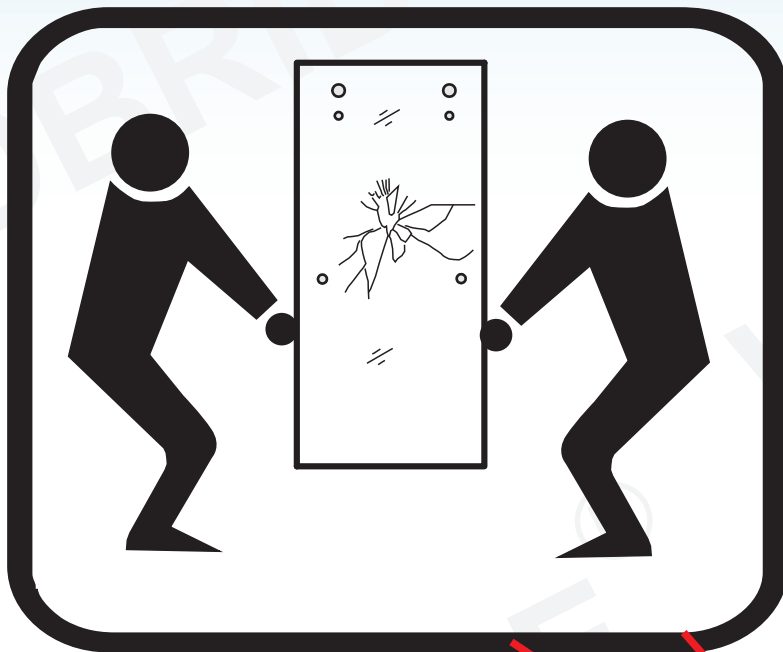


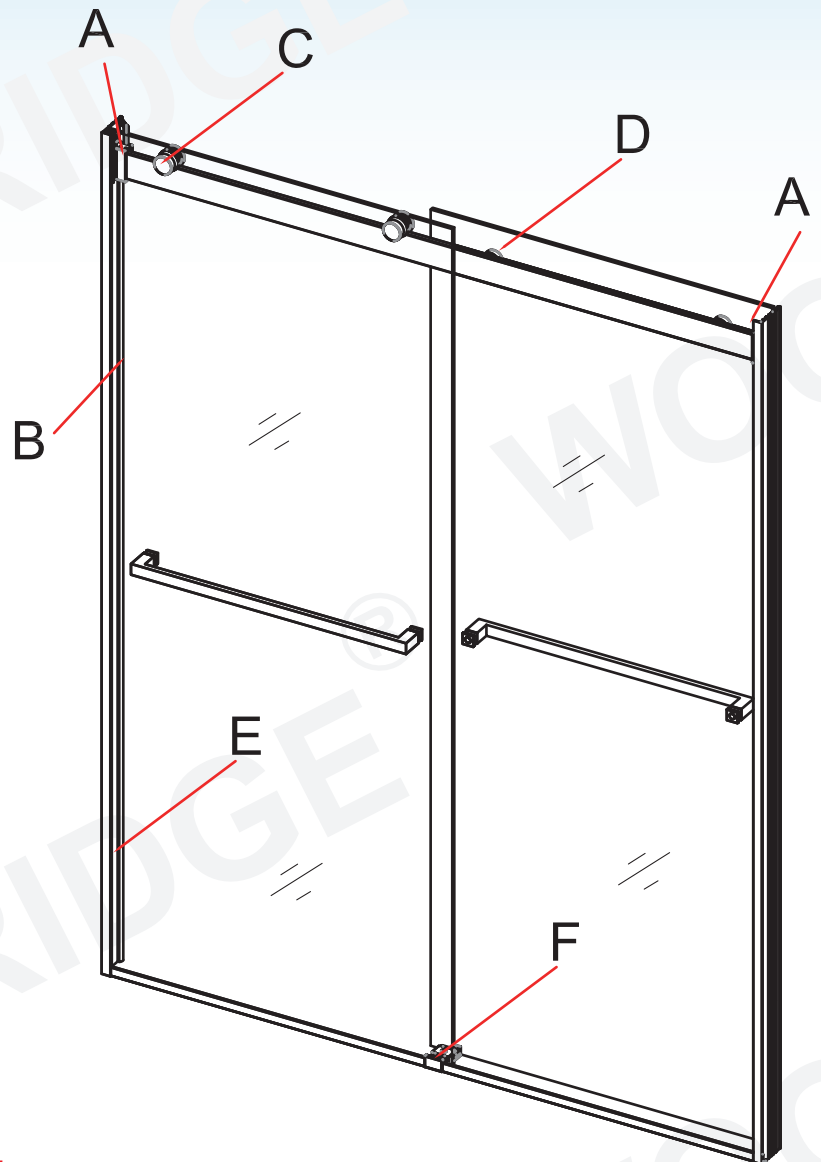
Fig 2

SHATTER-SAFE protective film helps to hold glass in place in the event of breakage. Allowing the panel to be carefully removed by a professional at a later date.



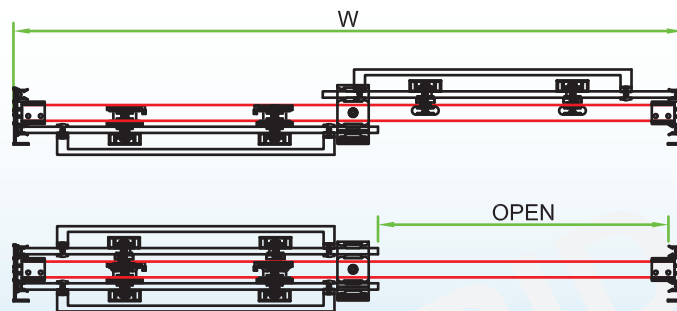
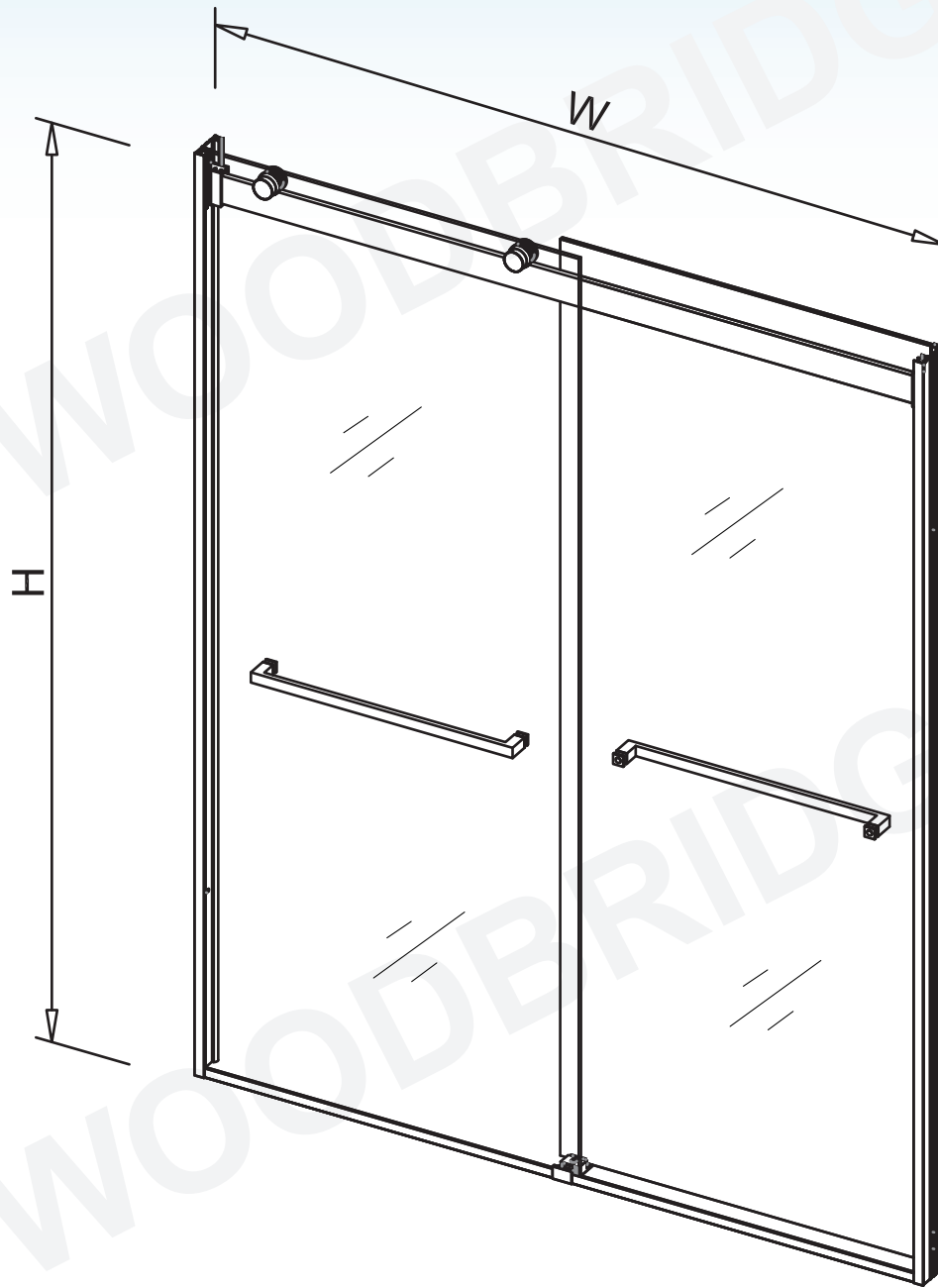
In the event of breakage please follow the steps below.

- 1. If someone is inside the shower, move the panel slowly out of the way and exit the bathroom as soon as possible. Do not allow anyone to re-enter bathroom until prepared to remove and dispose of broken panel.***
- 2. Utilize safety precautions such as a hard-hat, safety glasses, leather gloves, proper footwear and moving blankets to minimize risk of injury.***
- 3. It is recommended that two people assist in the removal of the panel. One person to hold panel steady, and the other to un-install the hardware. Then carefully remove glass from shower and lay flat on cardboard or plywood until it can be removed. Once laying flat a razor knife or box cutter can be utilized to cut the film and remove in smaller pieces.***



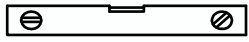
IMPORTANT INFORMATION REGARDING THE INSTALLATION OF THIS SHOWER DOOR

- A.** Guide Rail Brackets must be firmly attached to the wall. Installation into a stud is strongly recommended. All of the guide rail bracket set screws must be accessible and tightened.
- B.** Roller Wheel Assembly safety set screws: must be accessible and must be retightened with Thread Lock during installation. Door-side stopper must be installed at the proper position to prevent the door from contacting the wall.
- C.** Bulb Vinyl Seal must be installed on the closing edge of the Door Glass door from contacting the wall.
- D.** The Guide Block must be screwed to the threshold and installed square with the Panel Glass and Door Glass. Installing the guide block crooked may damage the bottom edge of the Door Glass and lead to breakage.
- E.** When installing the rollers and handles to the glass doors, make sure that clear rubber gaskets are in between the glass doors and the related hardware. Metal can not contact the glass holes directly.



Threshold Requirement (Size): 3"

Tools



Level



Tape Measure



Pencil



Phillips Screwdriver



Silicone



Power Drill



Drill Bit
Ø1/8"
(3mm)



Drill Bit
Ø3/16"
(4mm)



Drill Bit
Ø1/4"
(6mm)



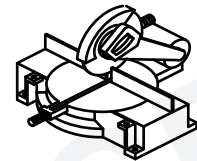
Drill Bit
Ø5/16"
(8mm)



Drill Bit
Ø3/8"
(10mm)



Soft Head Hammer



Miter saw



Safety Glasses



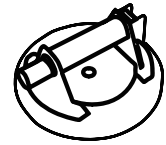
Work Gloves



Hacksaw



#3 Phillips Driver Bit



Professional-grade Glass suction cup



Painter's Tape



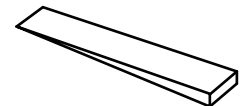
Razor Knife



Extender Driver Bit



Soft Cloth or Blanket



Soft Wood Shim

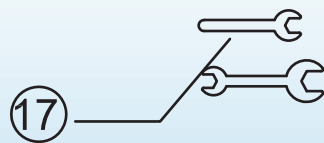
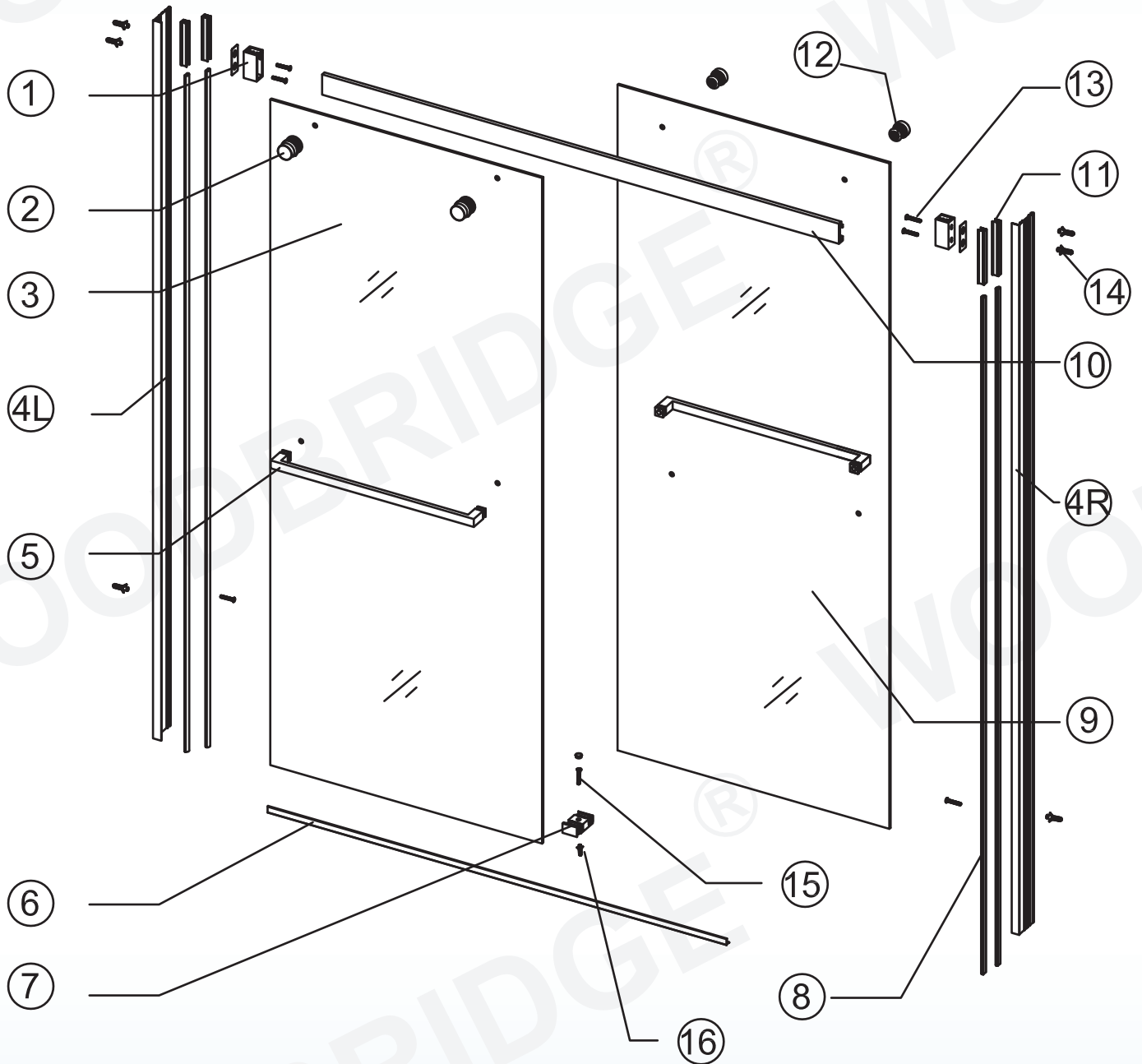


INSTRUCTIONS THAT, IF IGNORED COULD RESULT IN SERIOUS INJURY OR DEATH CAUSED BY INCORRECT HANDLING OR INSTALLATION OF THE PRODUCT. THESE INSTRUCTIONS MUST BE OBSERVED FOR SAFE INSTALLATION!

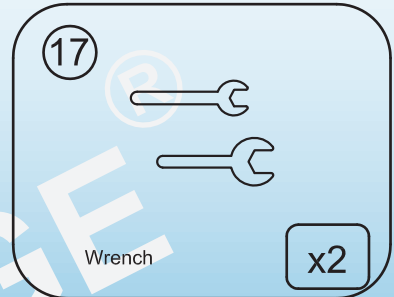
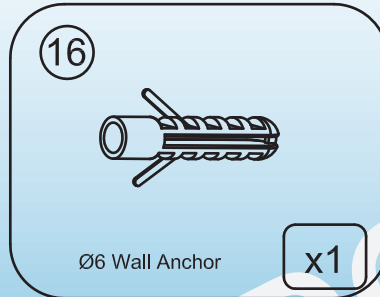
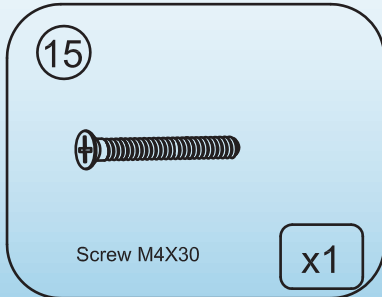
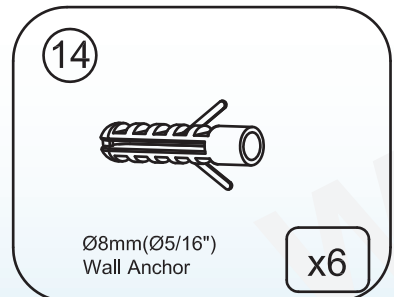
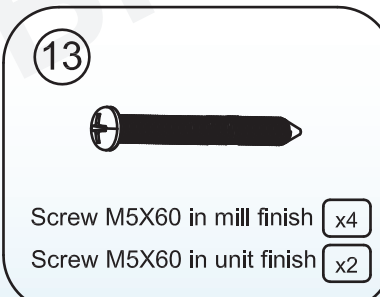
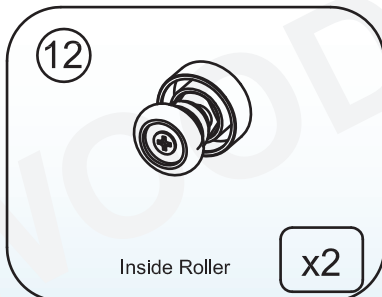
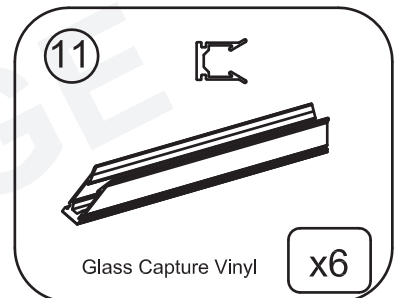
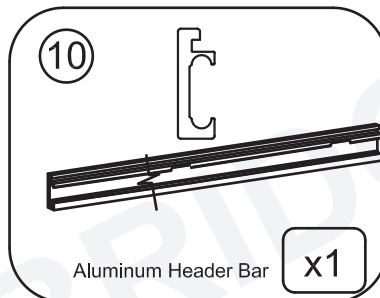
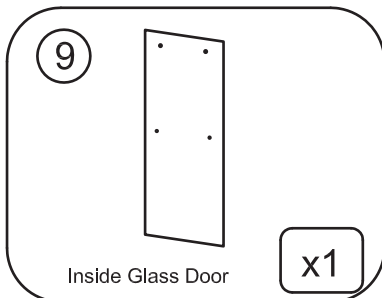
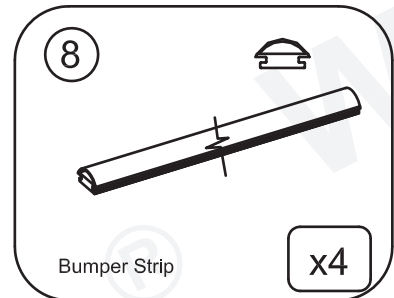
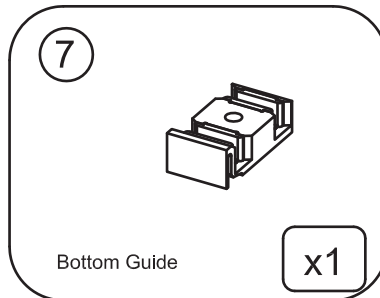
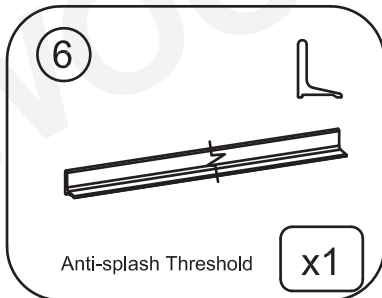
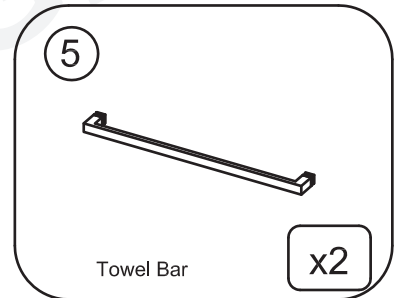
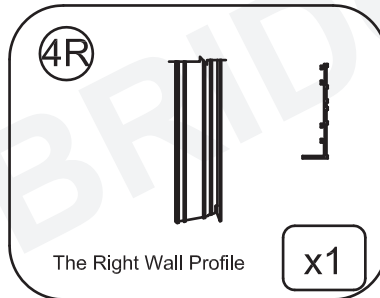
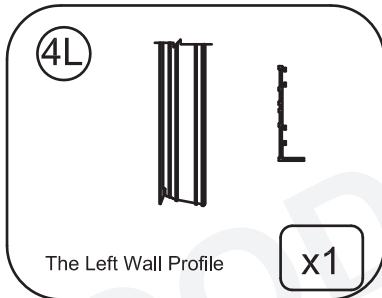
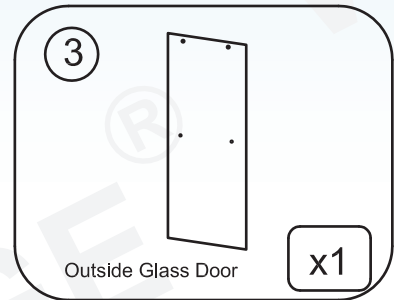
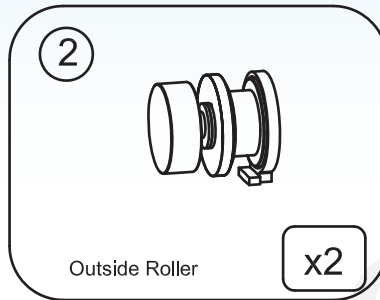
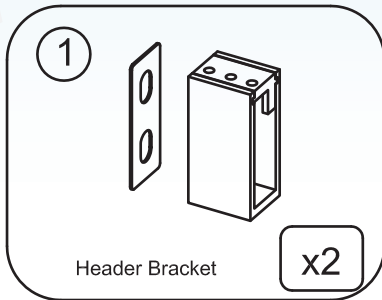
LICENSED AND INSURED PROFESSIONAL CONTRACTOR IS REQUIRED TO INSTALL THIS PRODUCT INCLUDING ASSISTANCE OF A SECOND PERSON DURING INSTALLATION

No modifications to the product are allowed. Modifications of any types to the product will result in serious injuries or may cause death.

IMPORTANT: Do not install the handle on to the glass door until the instruction tells you to do so. Never lift the glass using the handle. Failure to do so will result in serious personal injury and could cause damages to the glass. Professional graded glass suction cups are highly recommended while handling extremely heavy glass. This product must be installed on a finished threshold and against finished walls only. This product is intended for residential use only.



Parts List



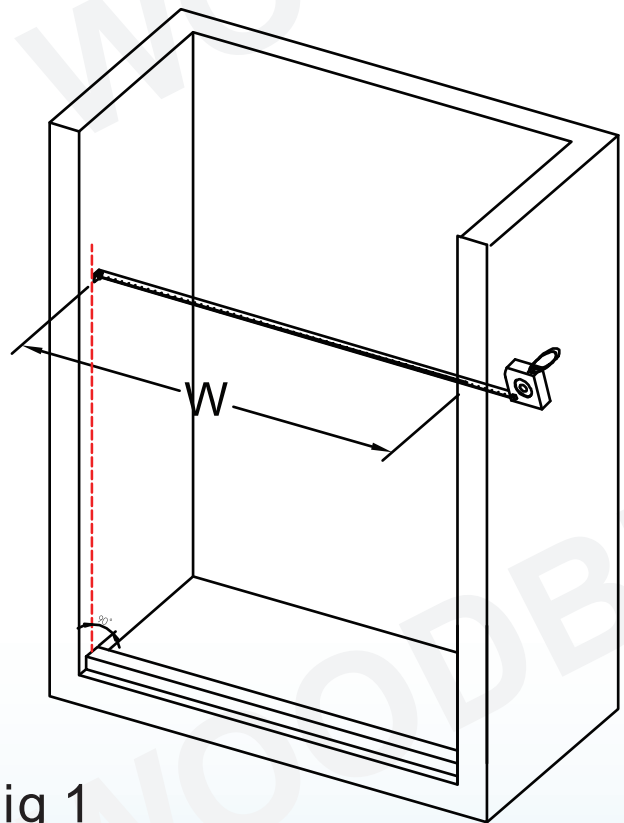
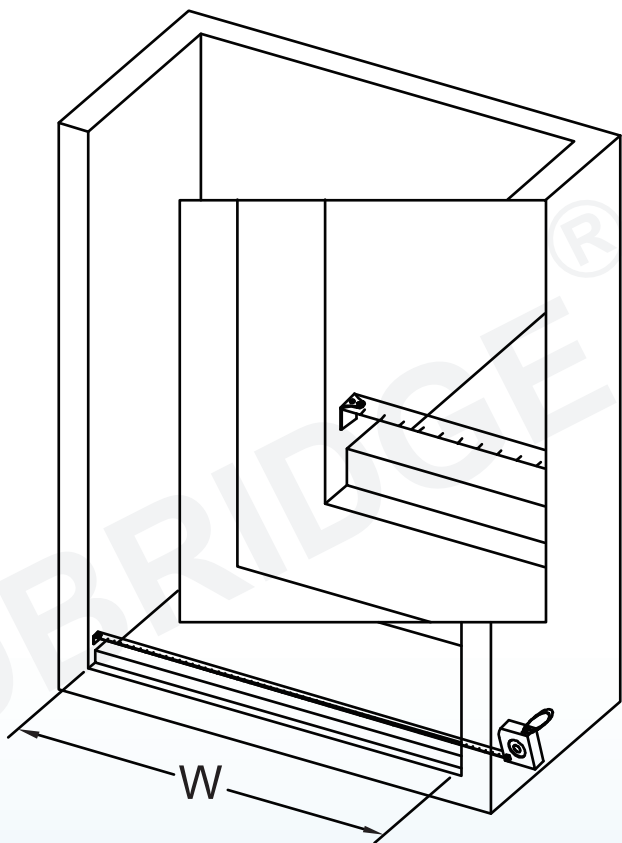
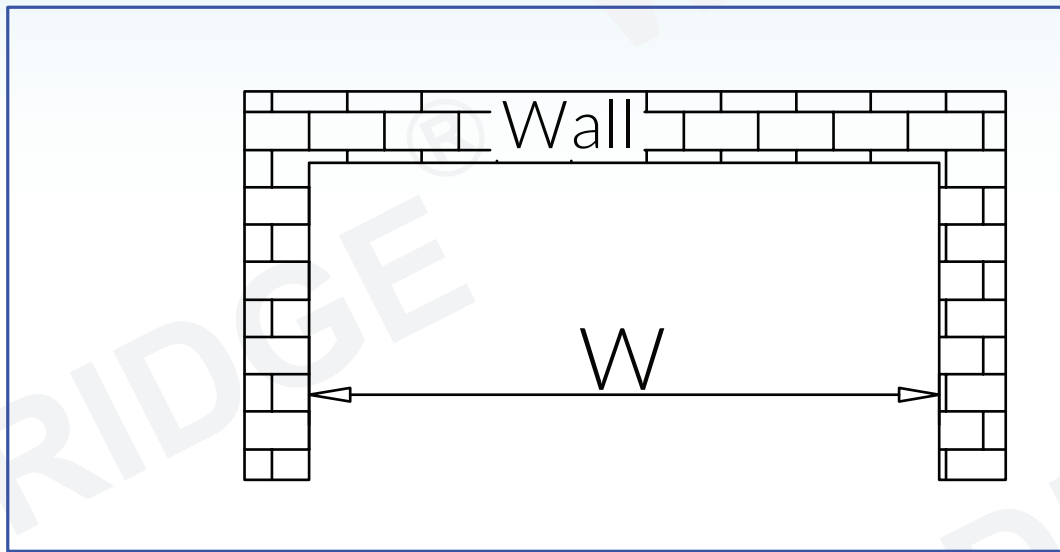


Fig 1

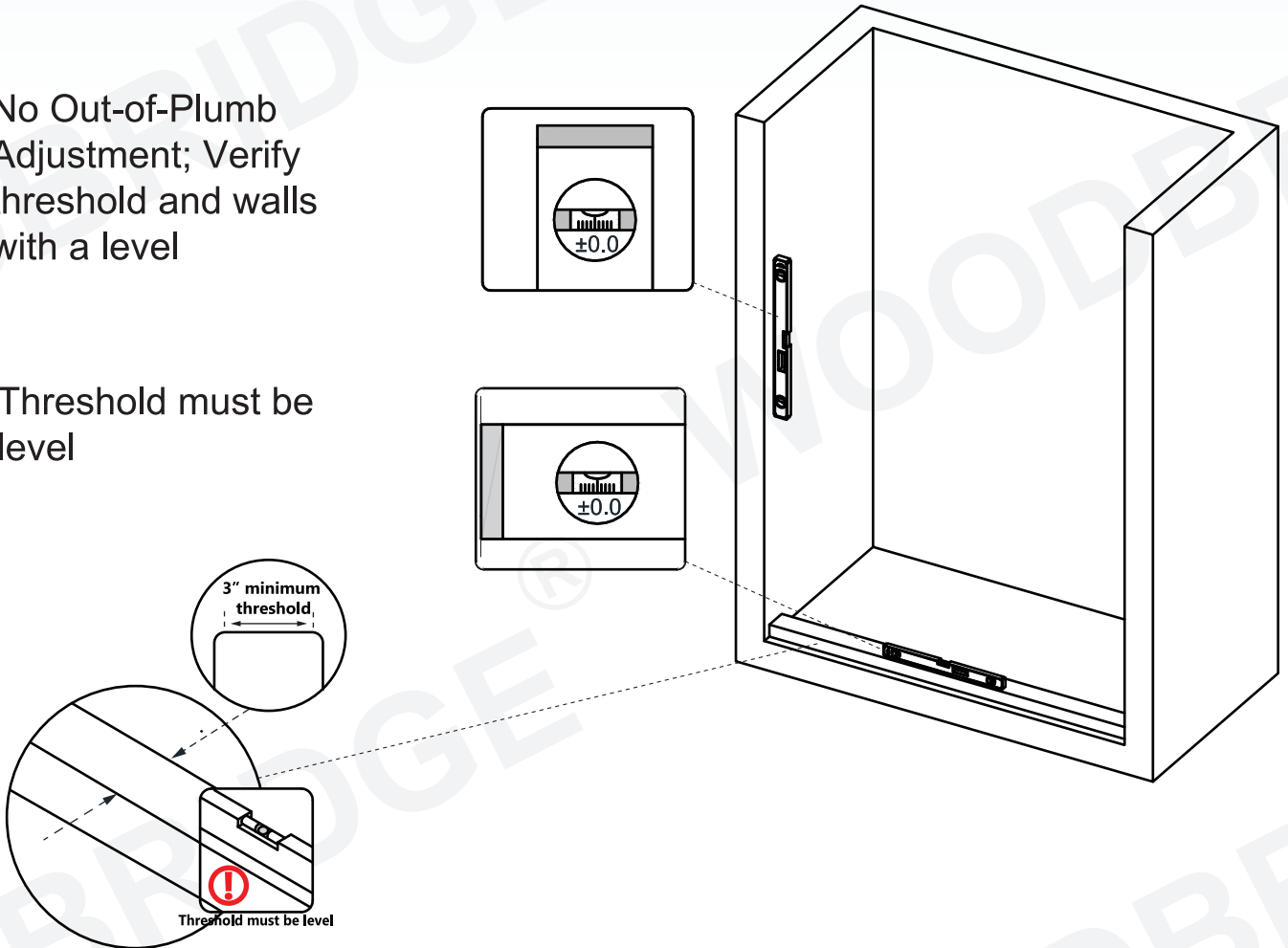
1. Measure the distance between two finished walls. This distance is marked as W.

Please see Fig 1 for details:

Specific Preparation

No Out-of-Plumb Adjustment; Verify threshold and walls with a level

Threshold must be level



CAUTION!  **TWO PERSON LIFT REQUIRED**

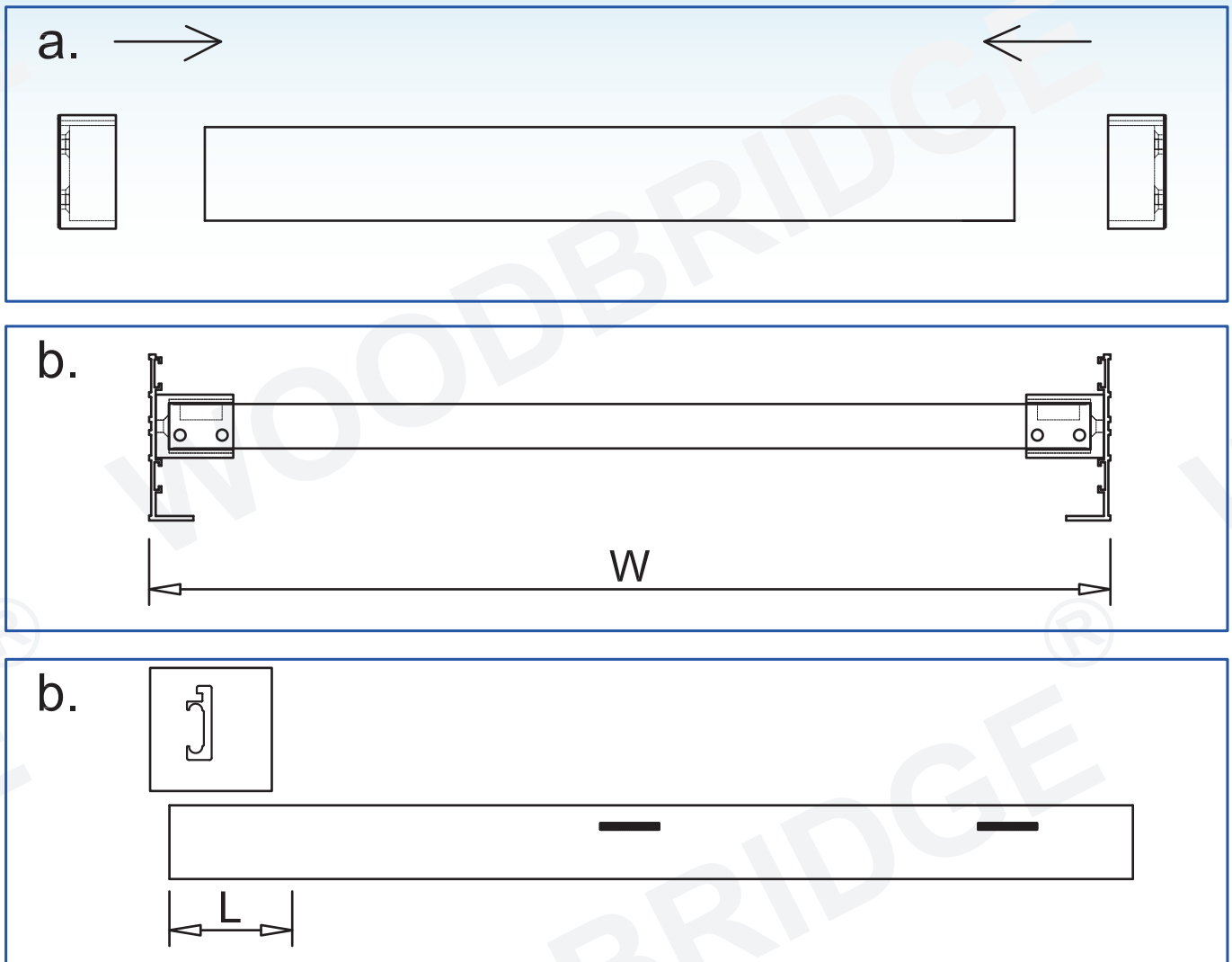
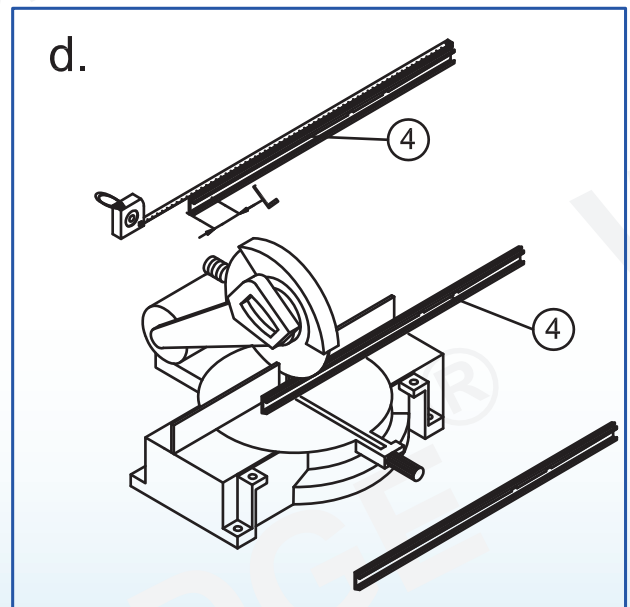


Fig 2

2. Your Aluminum Header Bar (10) has been precut for your Shower model opening width: 48" or 60" for shower width. If W-width of your wall-to-wall opening is equal to the size of your shower model, it is unnecessary to cut the Header Bar and you can continue to Step 3. If W-width of your wall-to-wall opening is less than the size of your Shower model, you will need to cut the Header Bar from the end which is farther from the cutout on the Header Bar.

The length to cut off will be L:
 $L = \text{Shower Model Size} - W$
 L=Subtract W from the size of your Shower model.

Please see Fig 2 for details.



FOR EXAMPLE
 If your wall opening $W=47"$. Your shower model is 48".
 $L=48"-47"=1"$,
 You have to cut 1" off from the header bar.

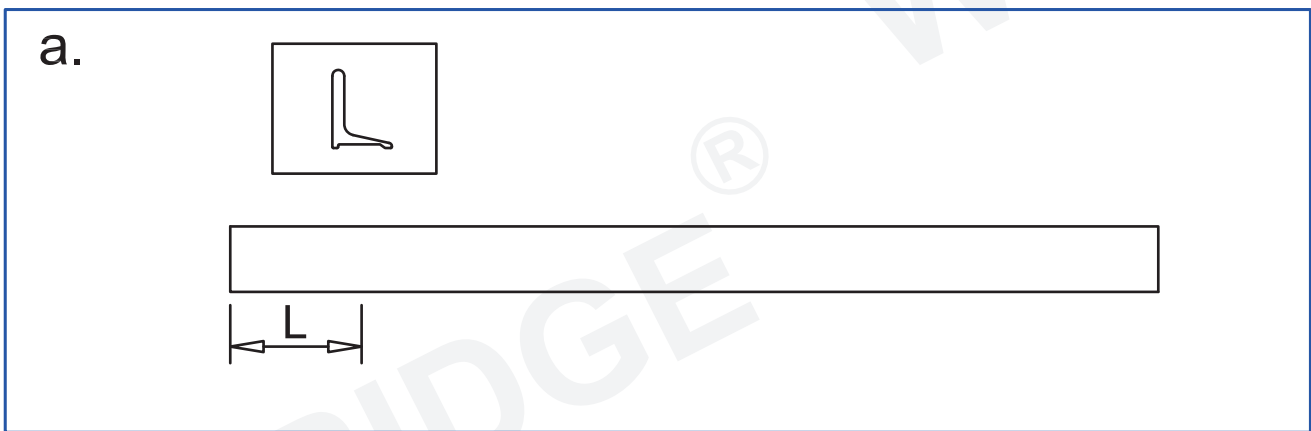
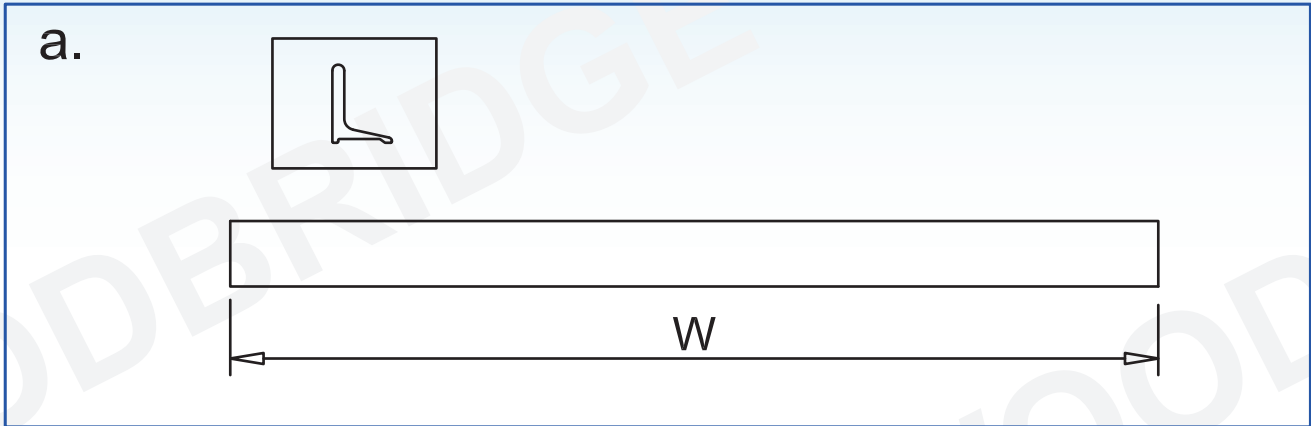


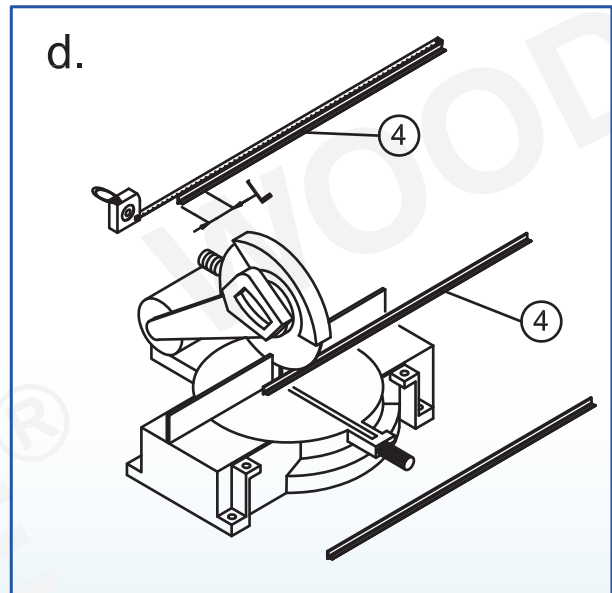
Fig 3

3. Your Anti-Splash Threshold (6) has been pre-cut for your Shower model opening width: 48" or 60" for shower width. If W-width of your wall-to-wall opening is equal to the size of your shower model, it is unnecessary to cut the Threshold and you can continue to Step 3. If W-width of your wall-to-wall opening is less than the size of your Shower model, you will need to cut the Threshold from the end.

The length to cut off will be L:

$L = \text{Shower model size} - W$
 L=Subtract W from the size of your Shower model.

Please see Fig 3 for details.



FOR EXAMPLE

If your wall opening $W=47"$. Your shower model is 48".

$L=48"-47"=1"$,

You have to cut 1" off from the threshold.

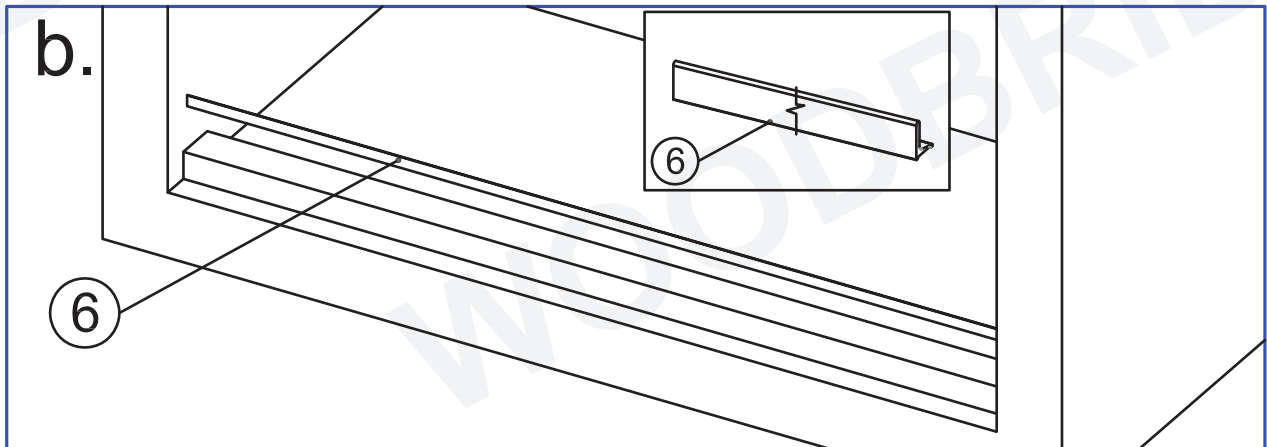
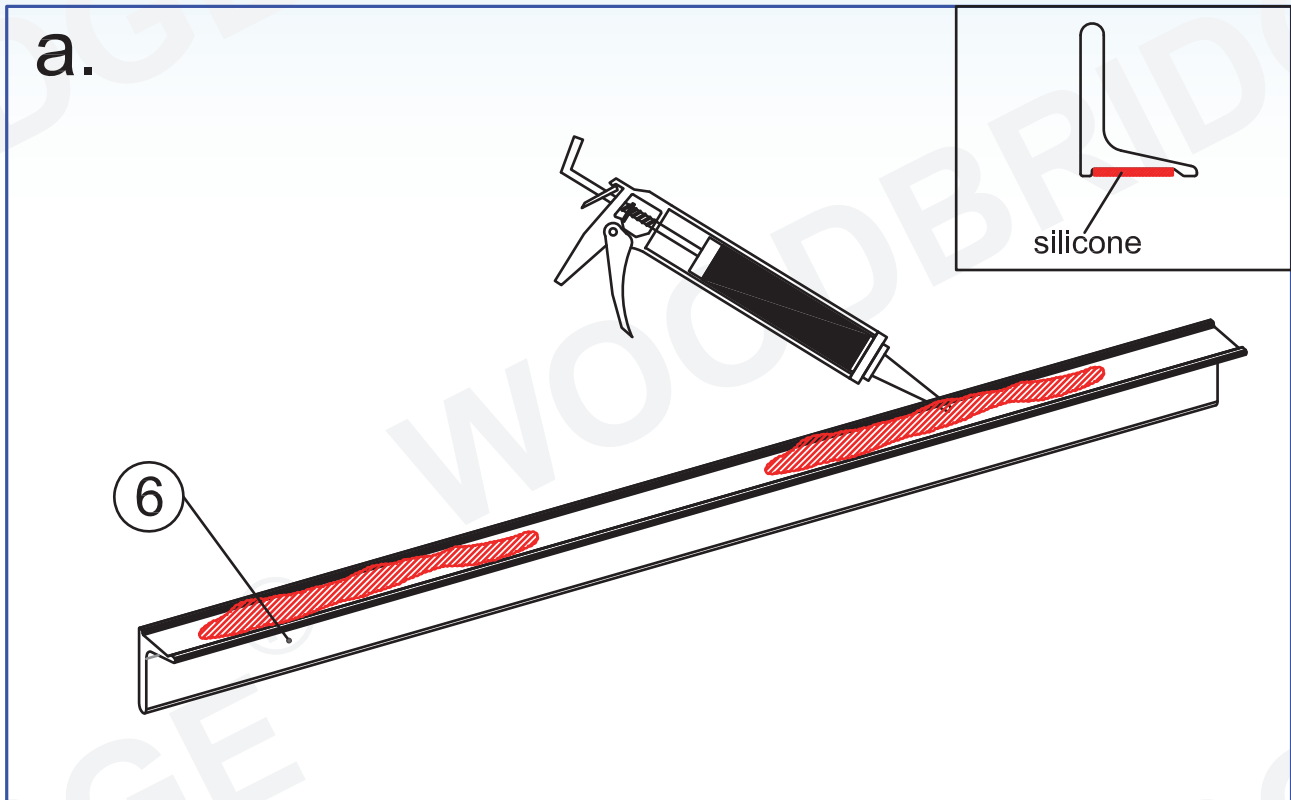


Fig 4

4. Apply silicone sealant to the back of the Anti-Splash Threshold (6) and place the Threshold against the shower base, make sure that the Threshold is level. Please see Fig 4 for details

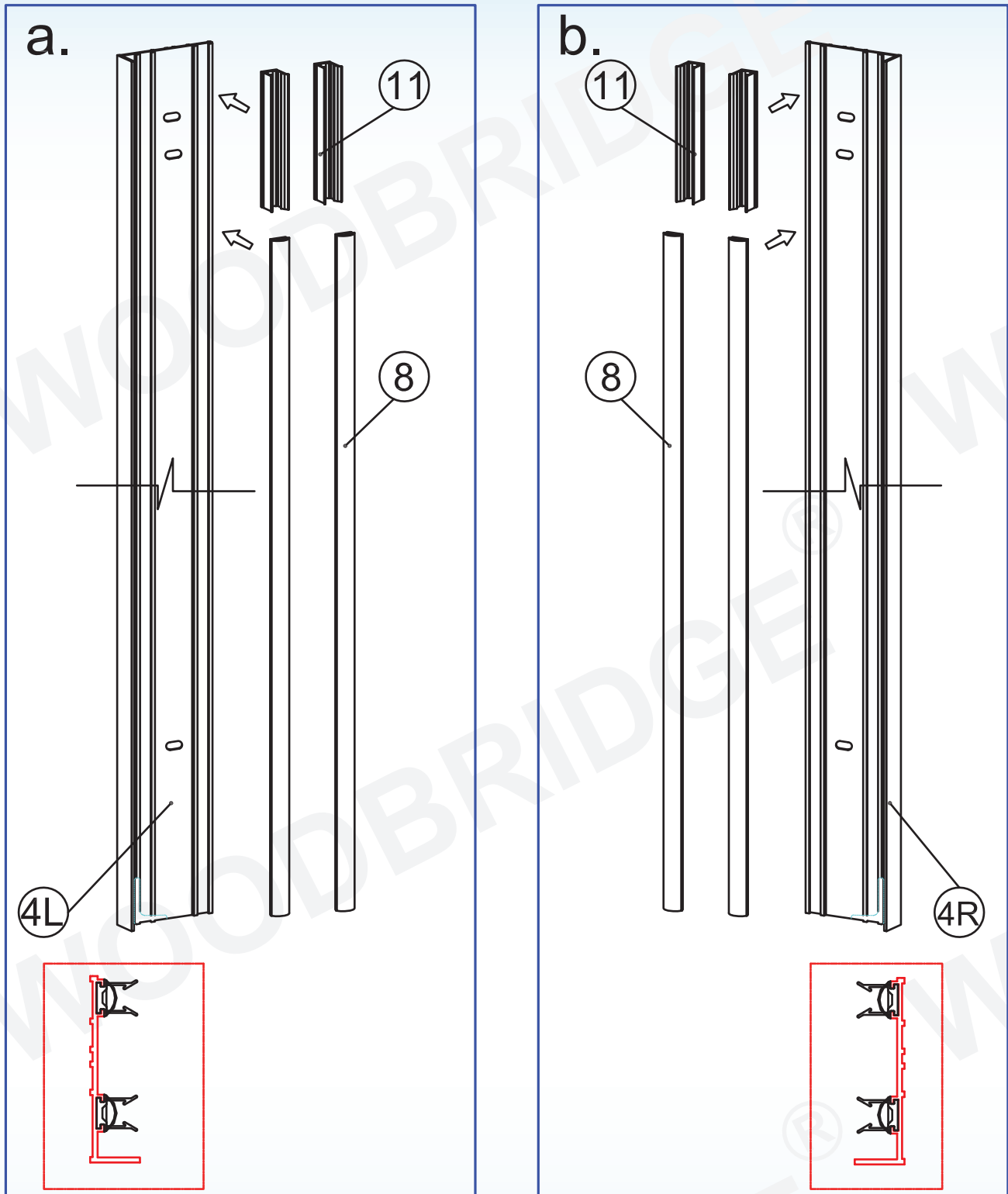


Fig 5

5. The Bumper Strip (8) and Glass Capture Vinyl (11) have been pre-installed to the Left and Right Wall profile (4L&4R) by manufacturer. Before installation, check if the Bumper Strip and Vinyl are in places and well installed.

Please see Fig 5 for details

6. Put the Left Wall Profile and Right Wall Profile (4L&4R) against the wall and make sure that the Wall Profiles insert into the Anti-Splash Threshold(6).

Please see Fig 6 for details

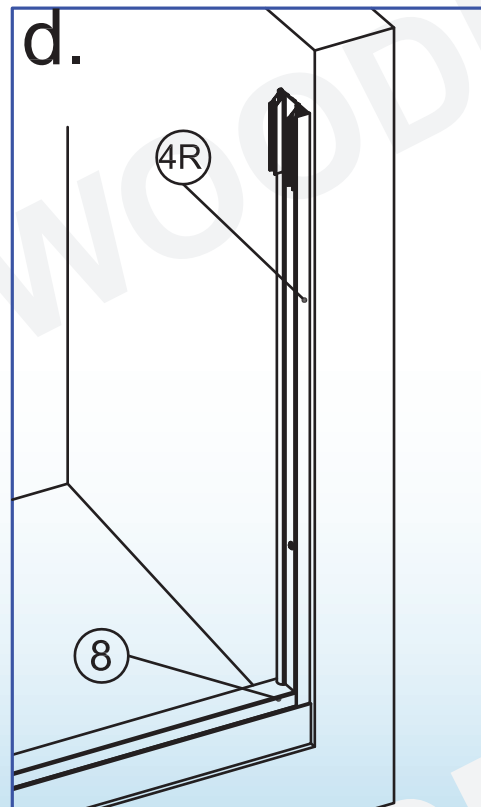
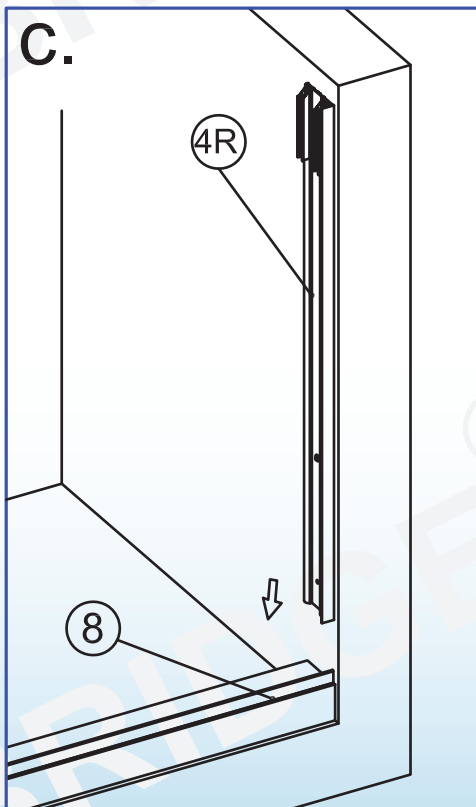
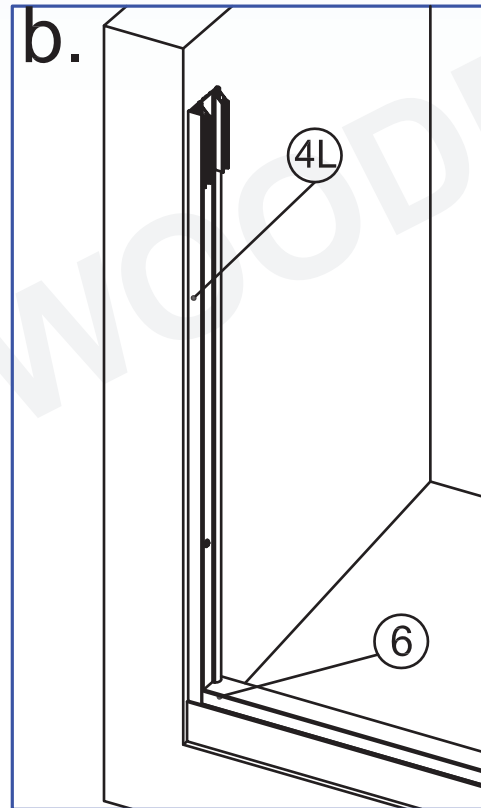
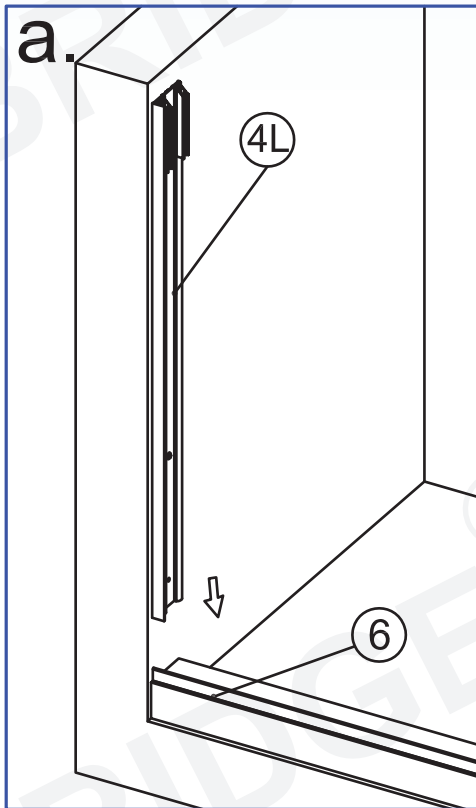
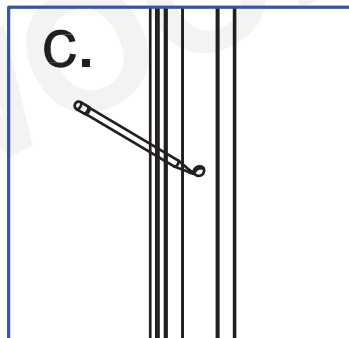
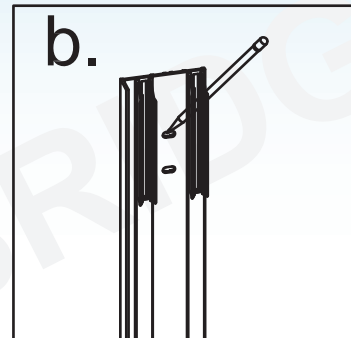
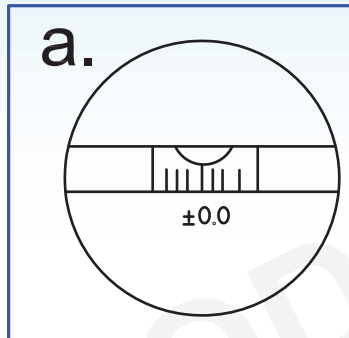
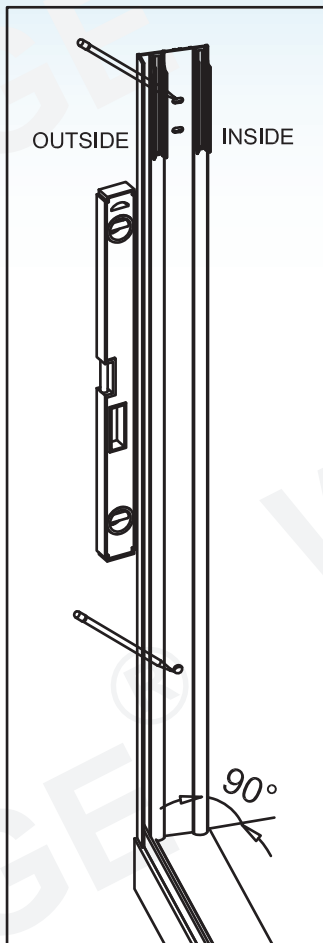


Fig 6



7. Mark down the pre-drilled holes on the Left and Right Wall Profiles (4L&4R).

Please see Fig 7 for details

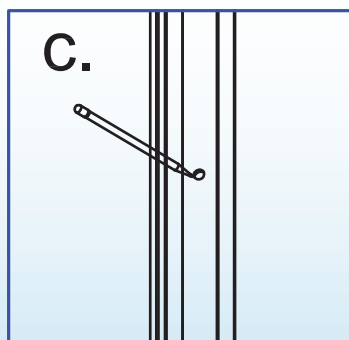
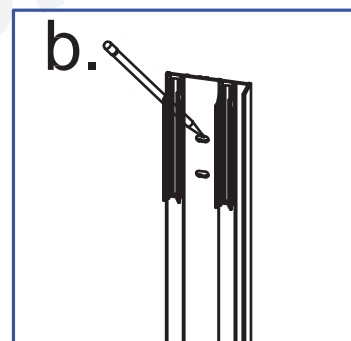
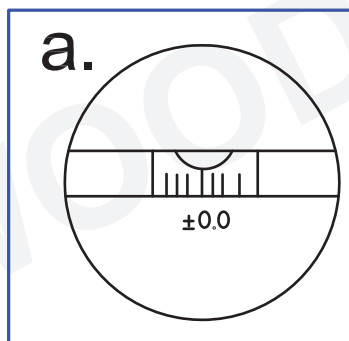
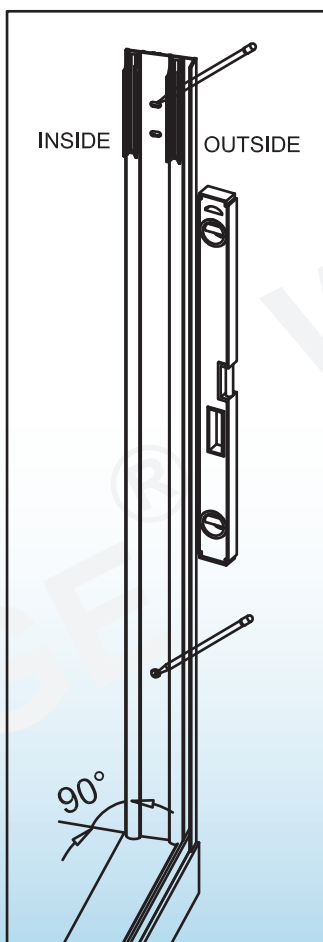
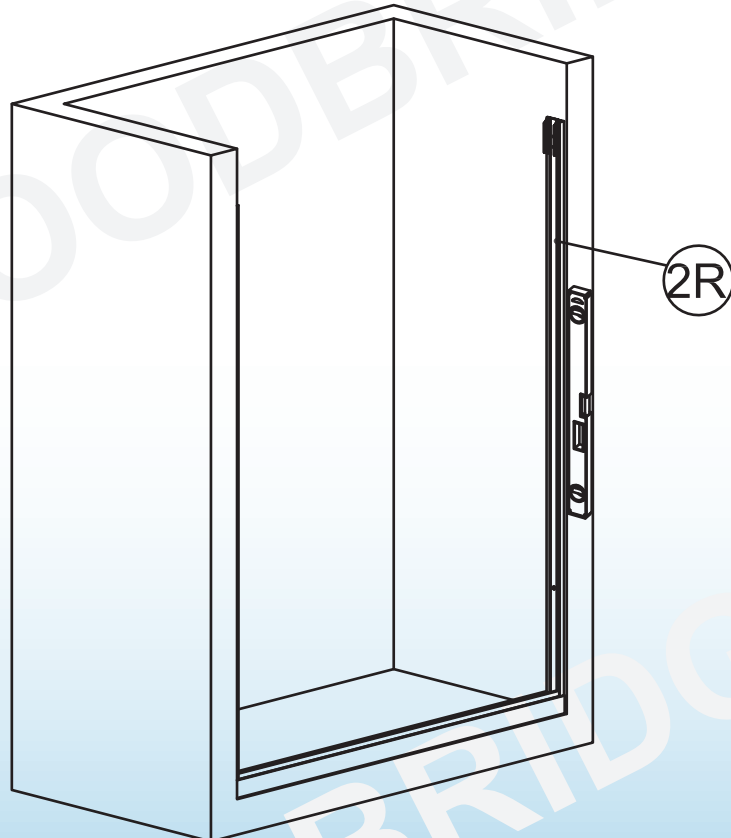
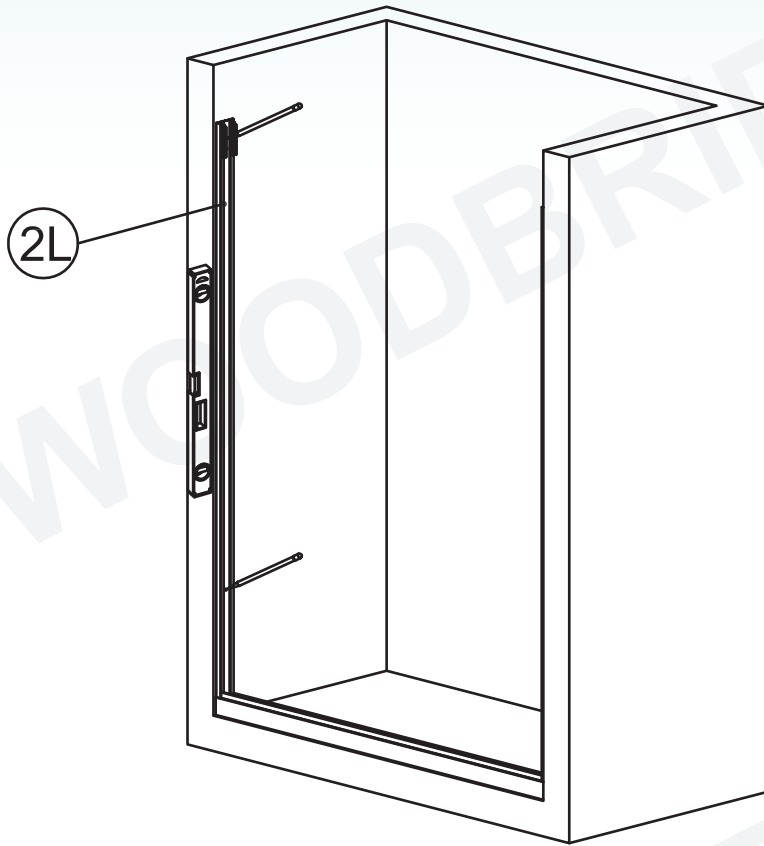


Fig 7



8. Drill the holes on the wall using $\varnothing 8\text{mm}(\varnothing 5/16\text{'})$ drill bit and apply silicone sealant into the holes, insert the Wall Anchors (10).

Please see Fig 8 for details

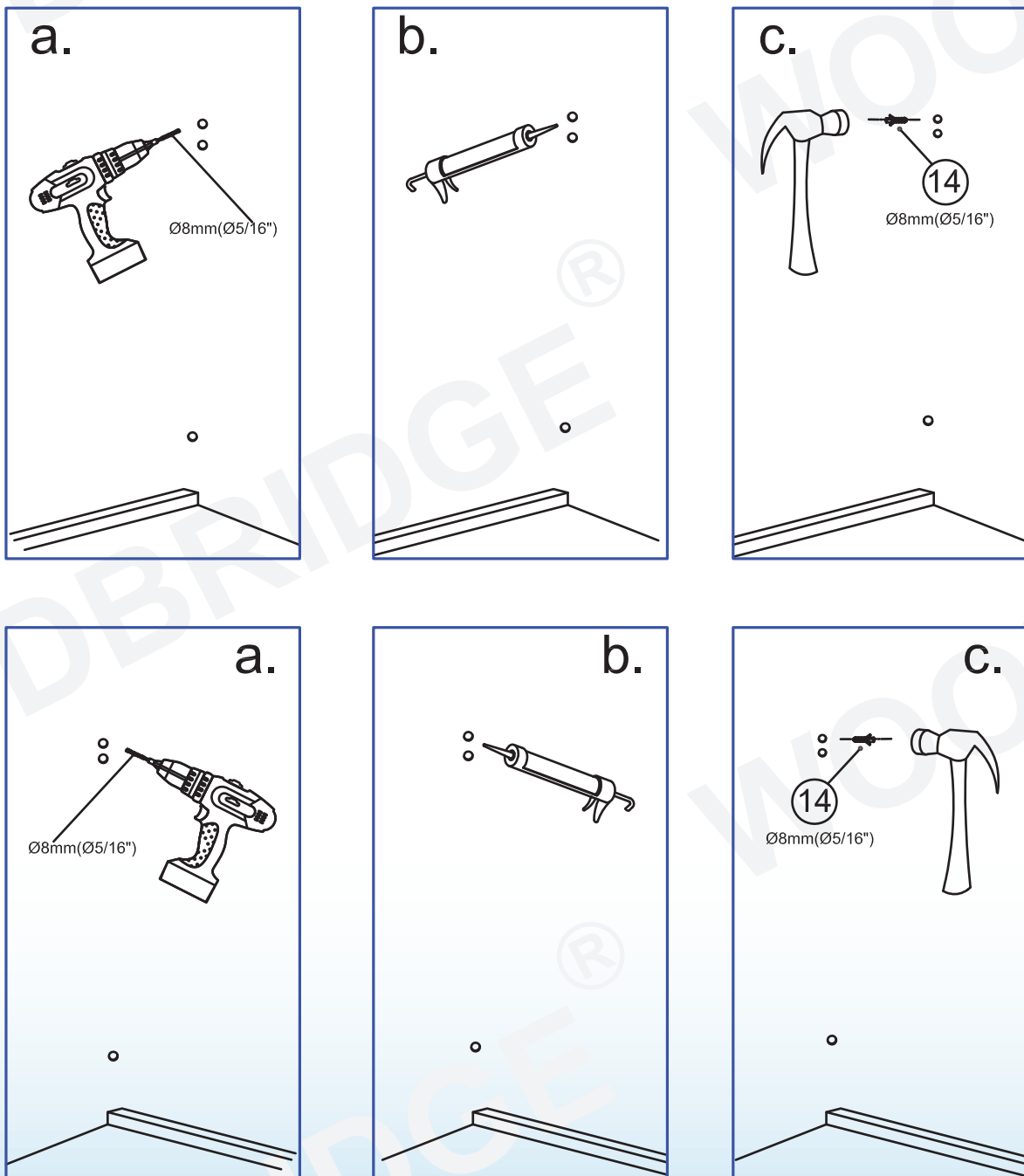
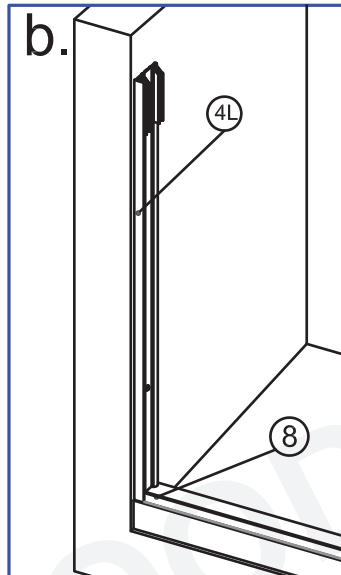
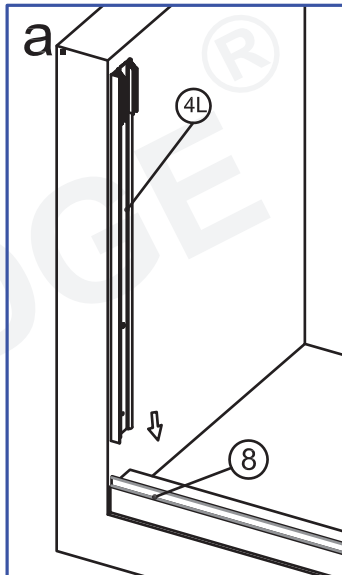
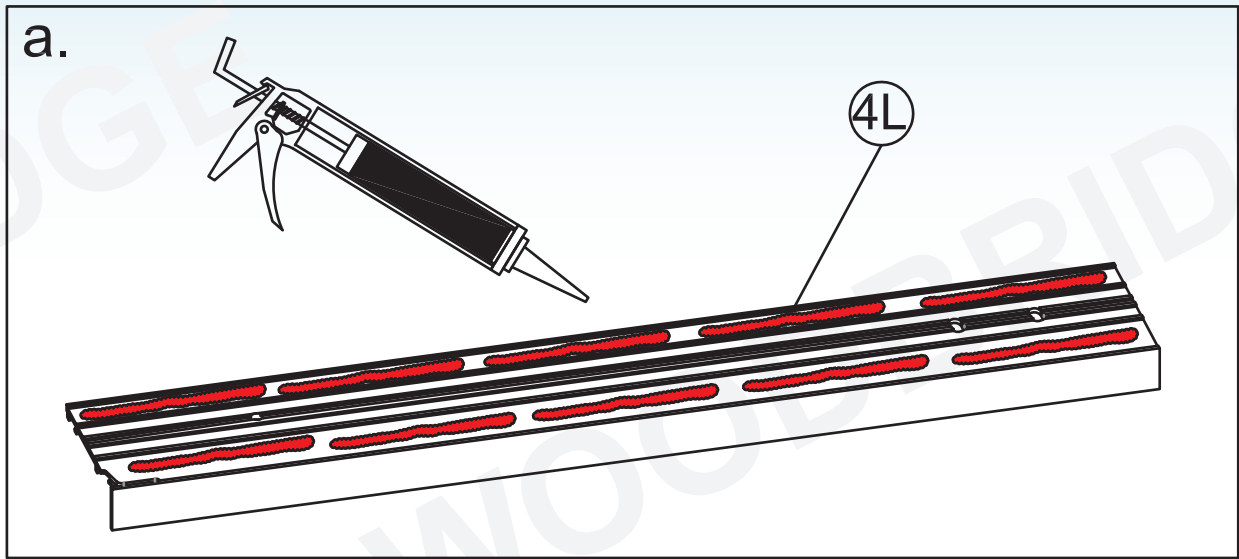


Fig 8



9. Apply silicone sealant to the back of Left and Right Wall Profiles (4L&4R) and put the Wall Profiles against the wall and then insert the Profiles to the Anti-Splash Threshold (8) again.

Please see Fig 9 for details

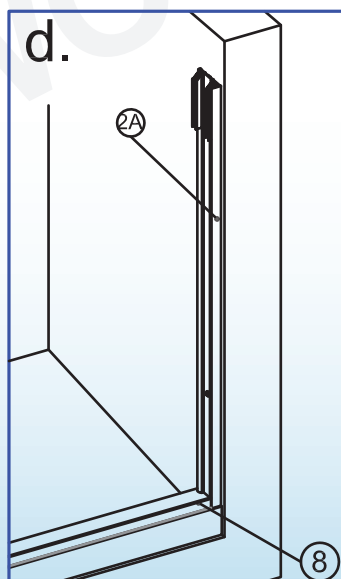
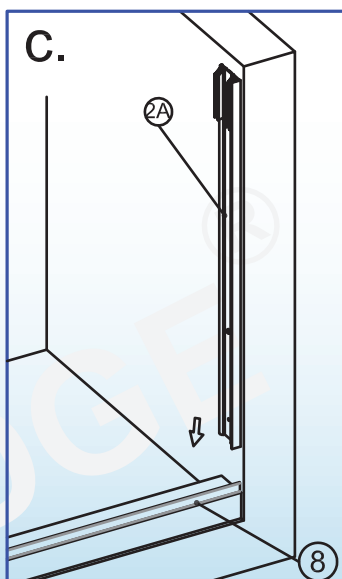


Fig 9

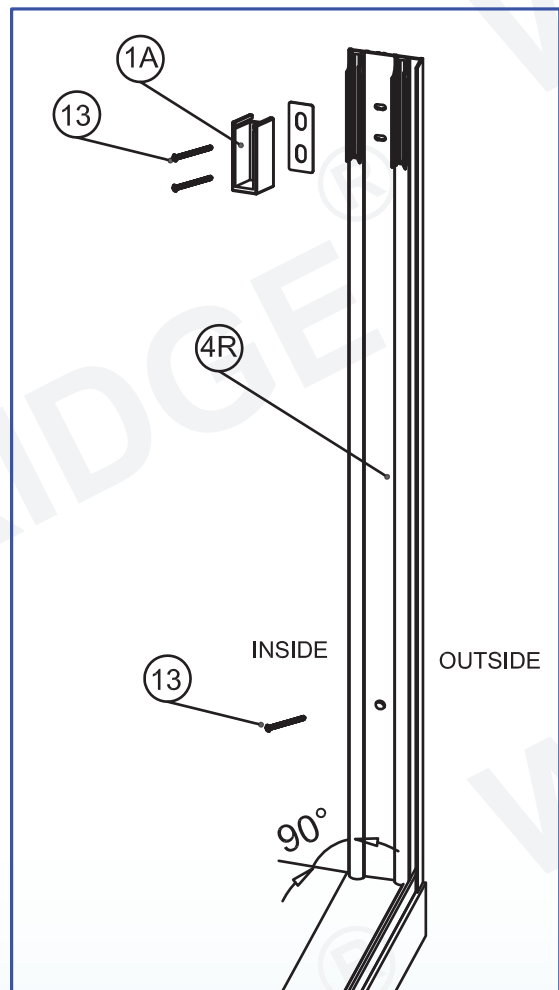
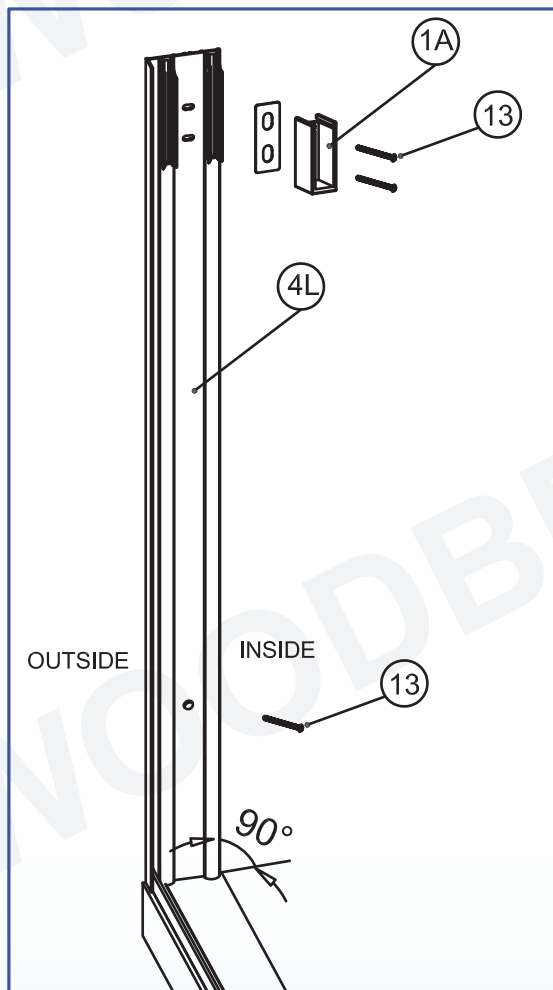
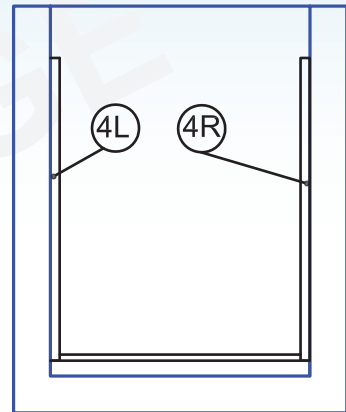
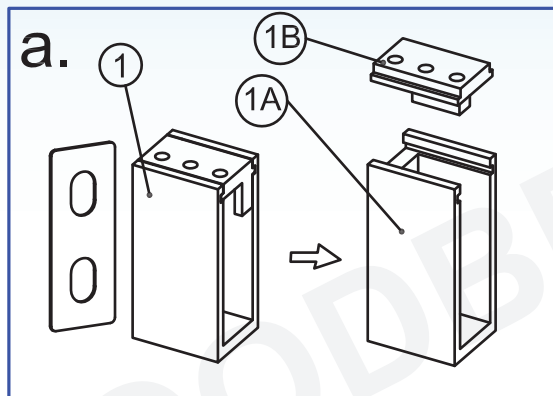
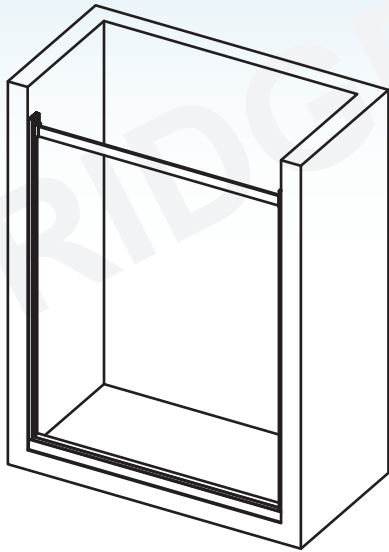


Fig 10

10. Install the Header Brackets (1) into the Left and Right Wall Profiles (4L&4R) and secure the Brackets to the Wall Profiles with M5X60 Screws (13).

Please see Fig 10 for details



11. Insert the Aluminum Header Bar (10) into the Header Brackets (1).
Please see Fig 11 for details

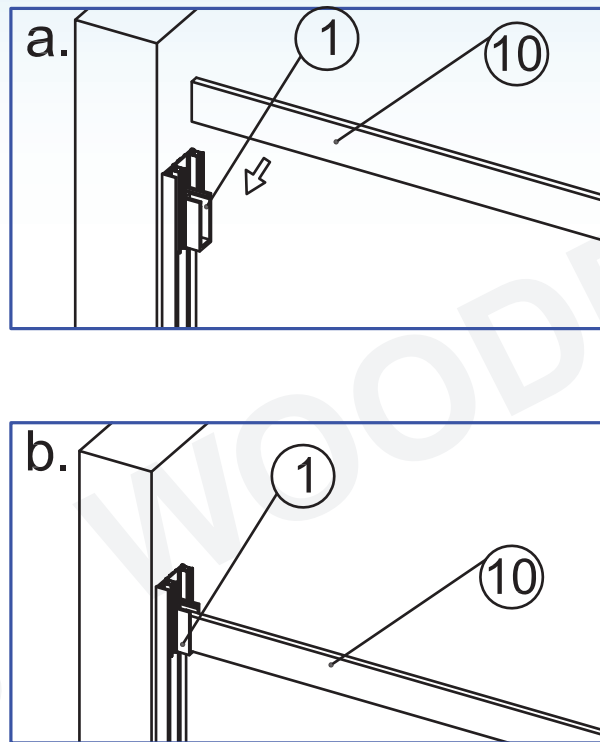
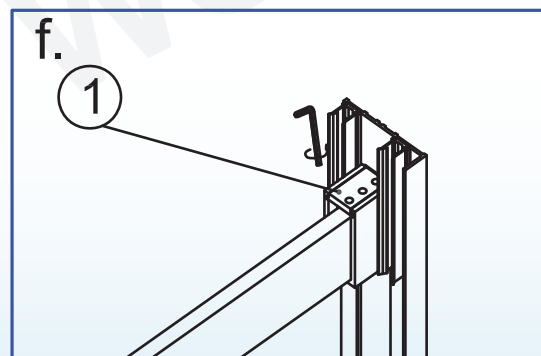
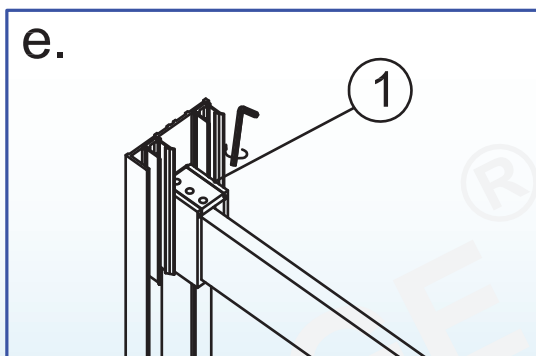
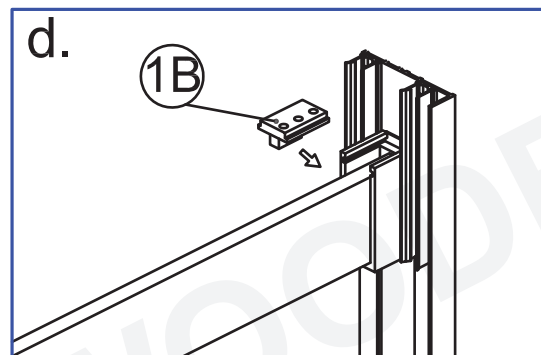
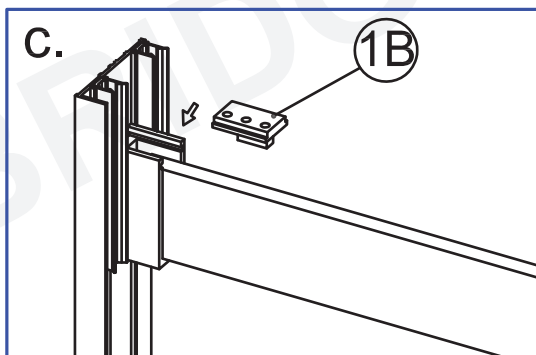


Fig 11



12. Put the Header Bracket Covers (1) and secure it tightly with Allen Key.
Please see Fig 12 for details

Fig 12

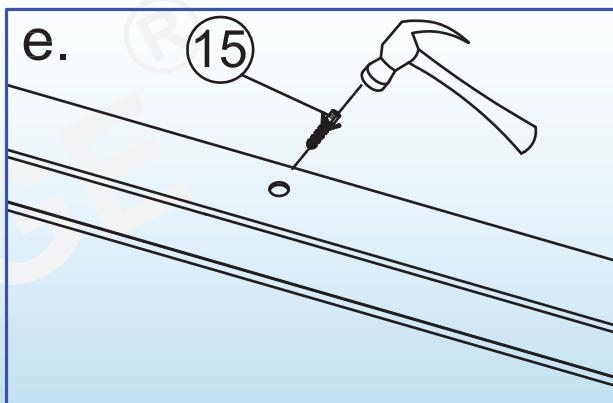
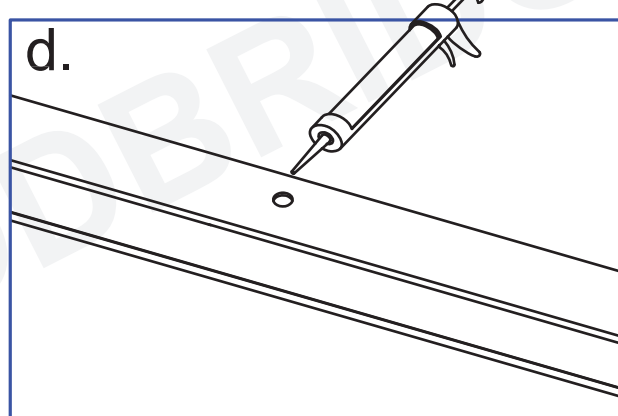
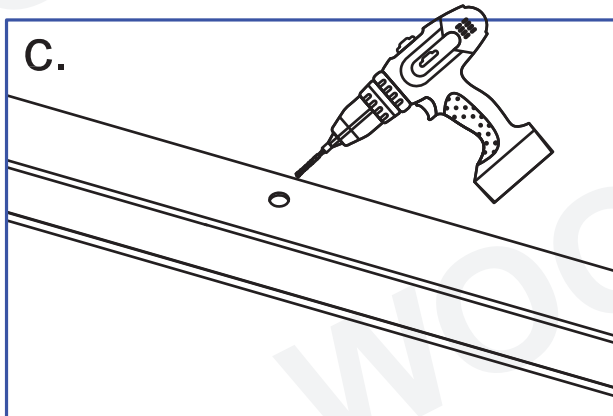
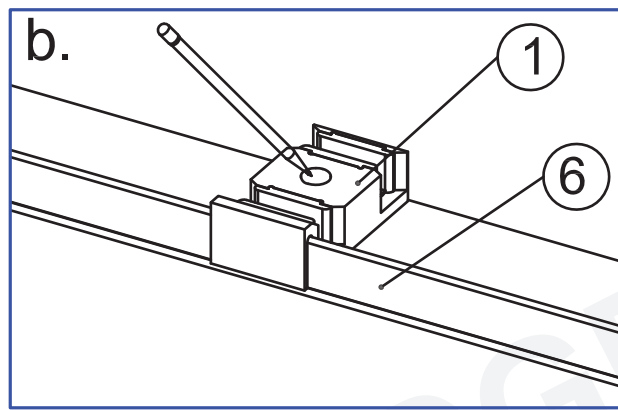
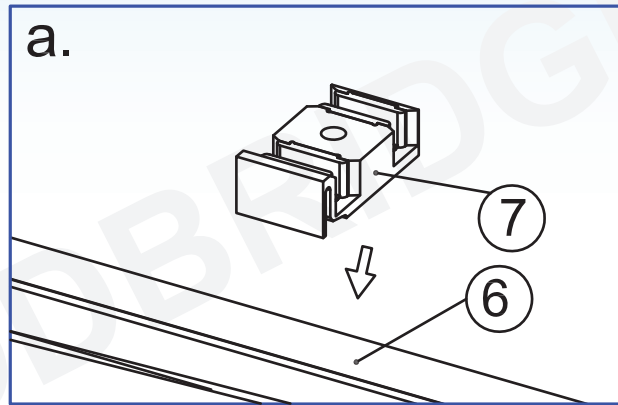
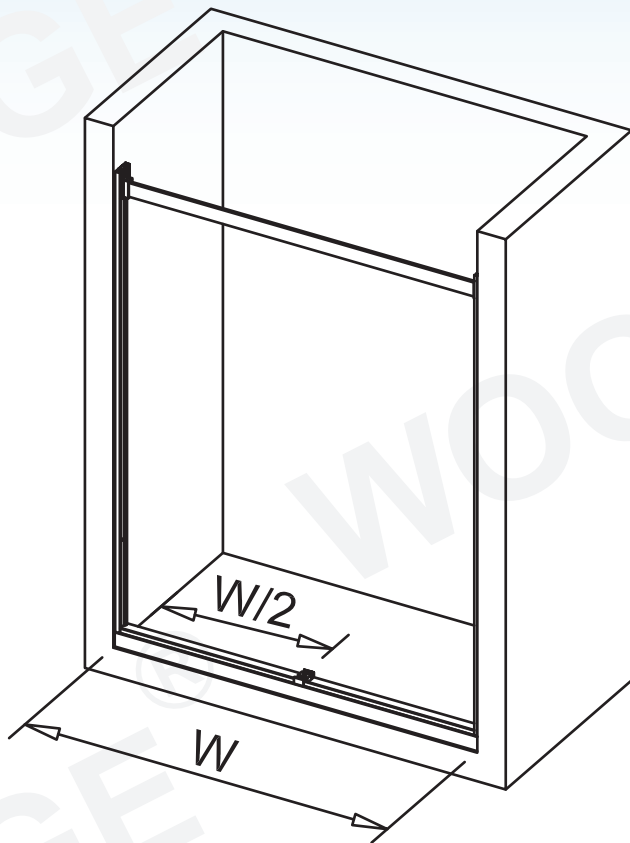


Fig 13

13. Place the Bottom Guide (7) onto the Anti-splash Threshold(6). Mark down the holes on the Bottom Guide (7) .
 Drill the holes on the shower base with $\varnothing 8\text{mm}$ ($\varnothing 5/16''$) drill bit and apply silicone into the holes, and then insert the Wall Anchors (10). Please see Fig 13 for details

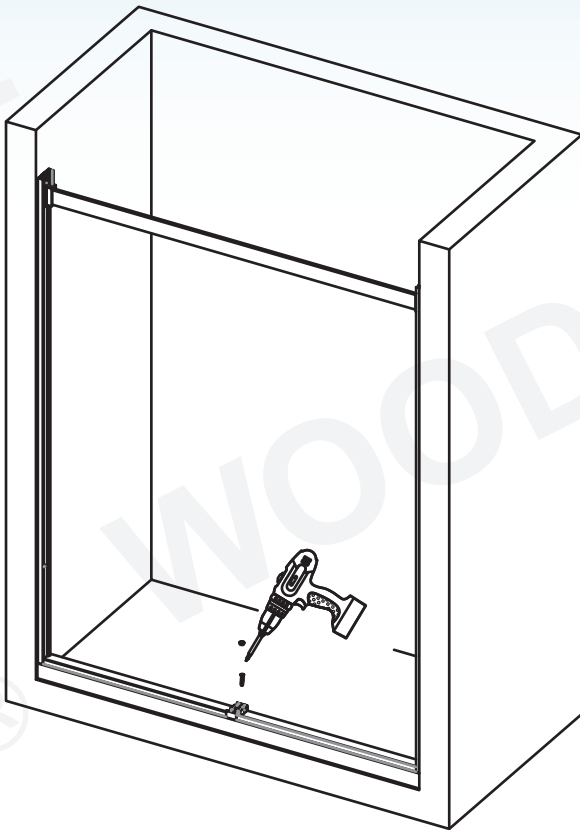
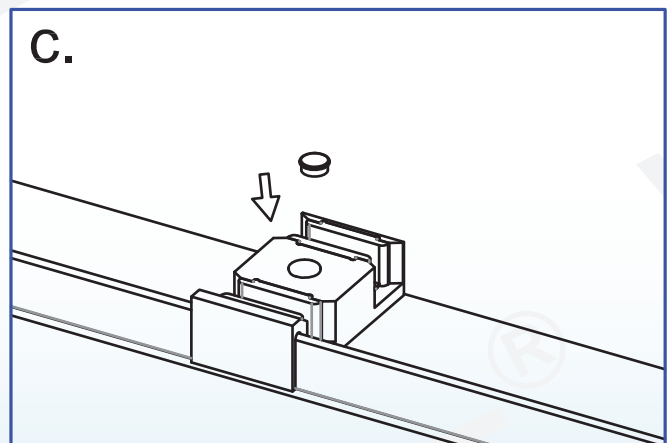
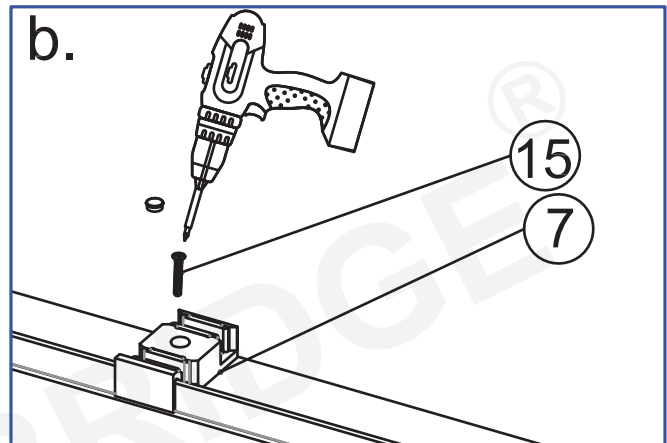
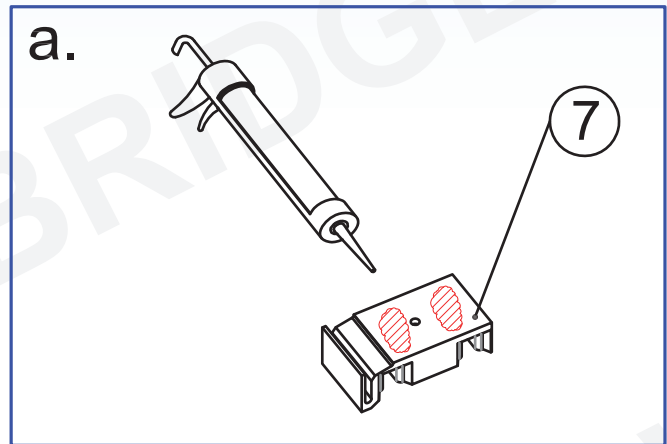


Fig 14

14. Apply silicone sealant to the bottom of the Bottom Guide (7). Secure the Bottom Guide to the shower base using the Screw M4x30 (15).

Please see Fig 14 for details



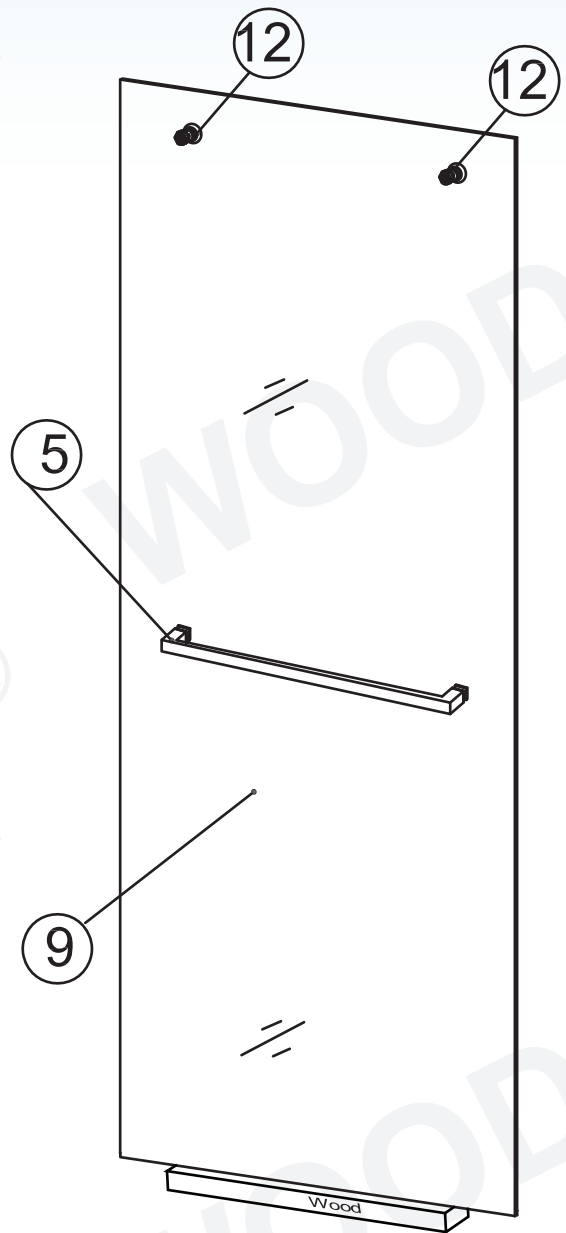
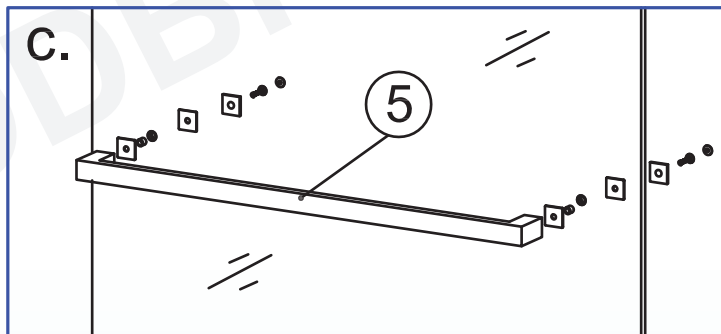
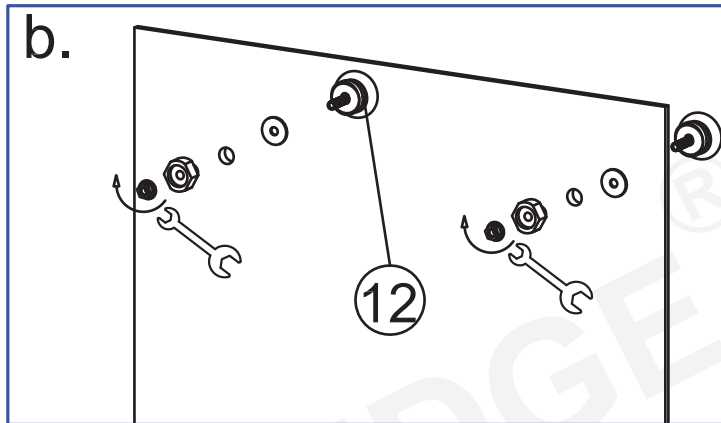
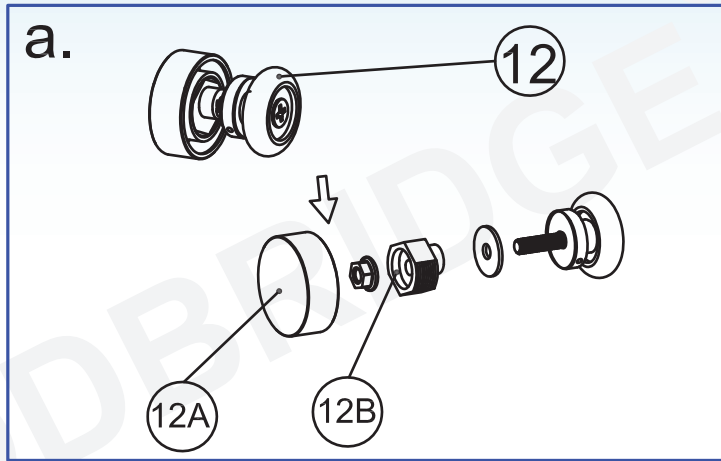


Fig 15

15. Install the Inside Rollers (12) and Towel Bars (5) to the Inside Glass Door (9). Please see Fig 15 for details

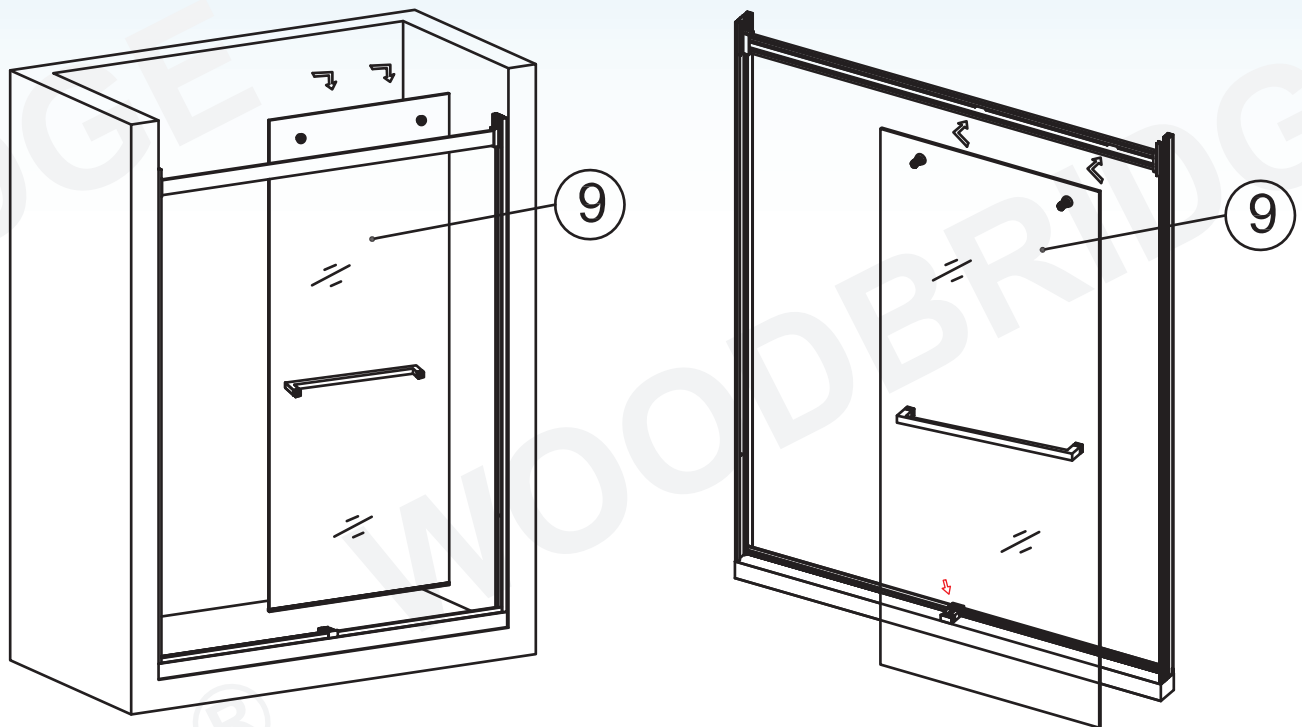
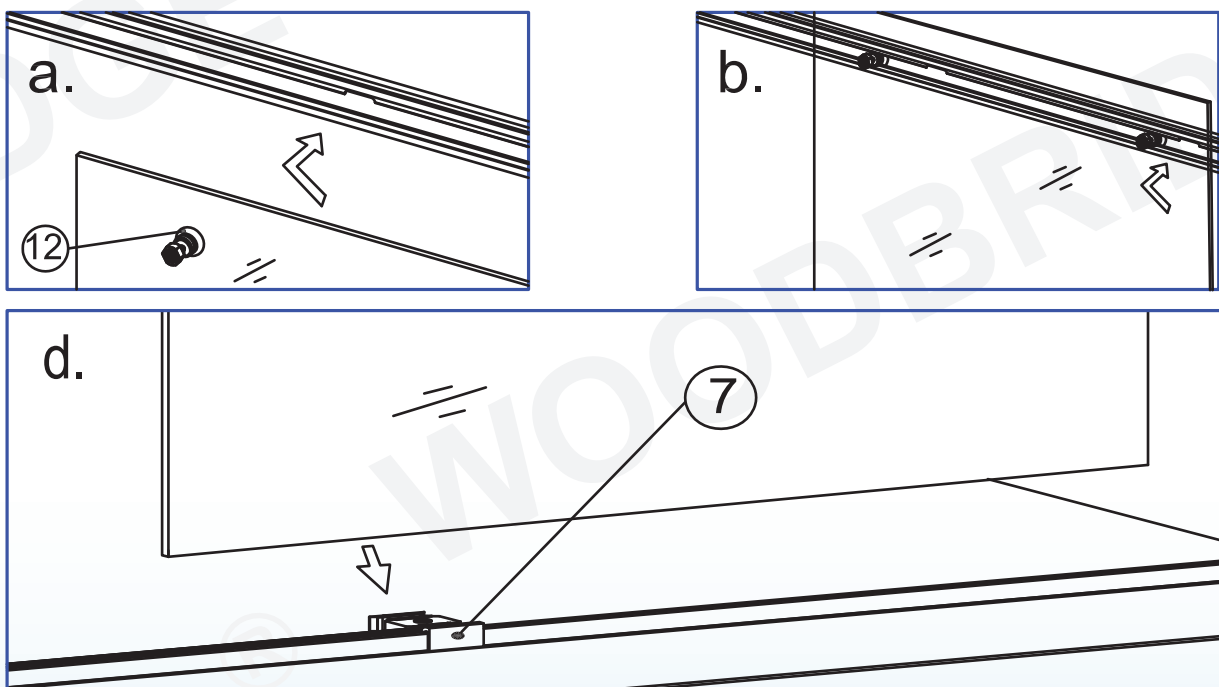


Fig 16



16. Hang the Inside Glass Door Assembly to the Aluminum Header Bar (10) and then slide the bottom edge of the glass door into the groove of the Bottom Guide (7). Make sure that the roller is rolling against the track of the Aluminum Header Bar (10). Please see Fig 16 for details

ATTENTION:

Never set your glass down directly onto a tile or concrete floor. Always use a piece of wood or cardboard and leave the corner pads on the glass until it becomes necessary to remove them to protect the bottom edge and the corners of the glass from breakage.

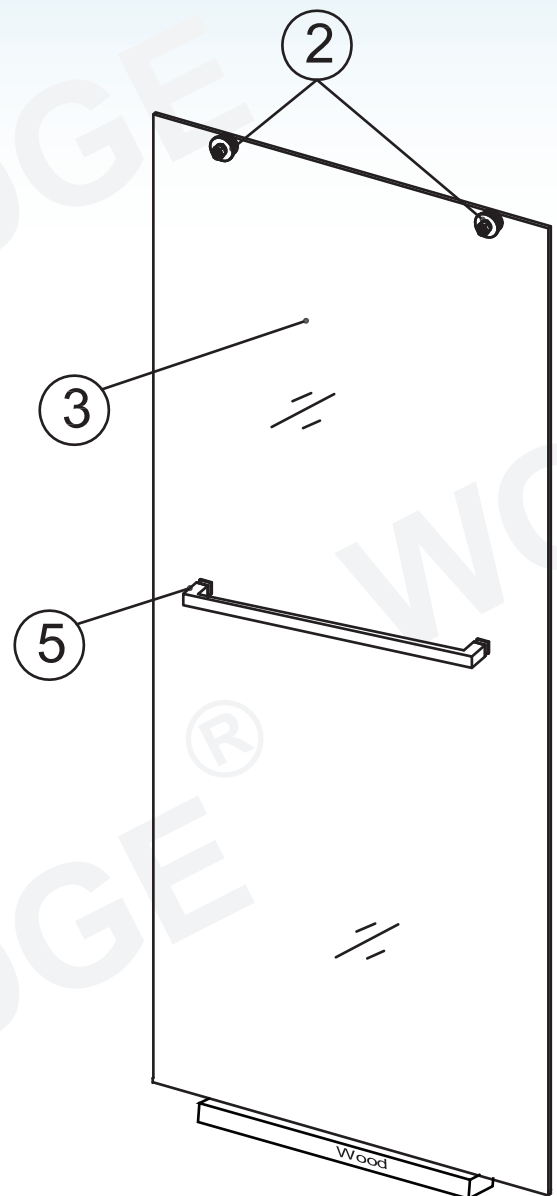
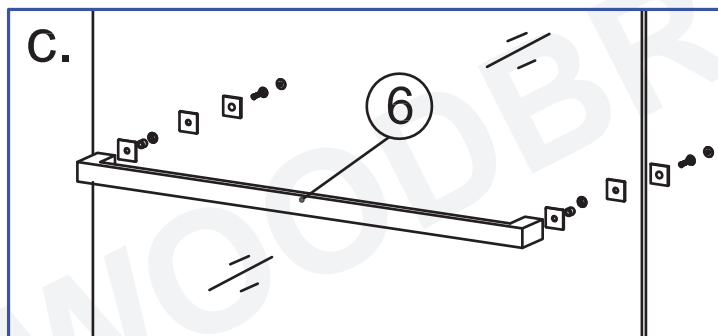
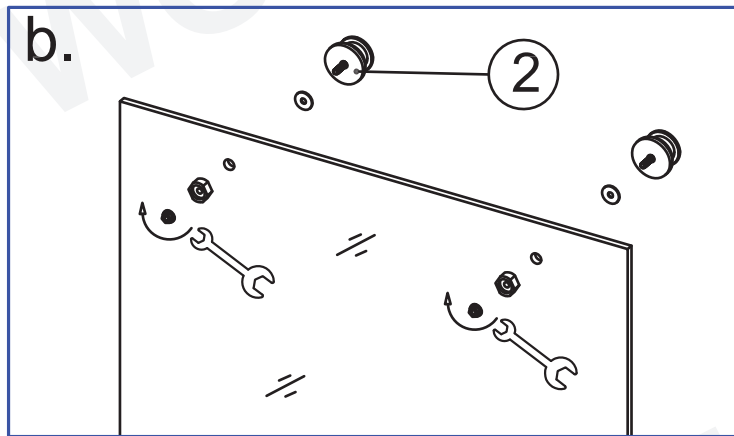
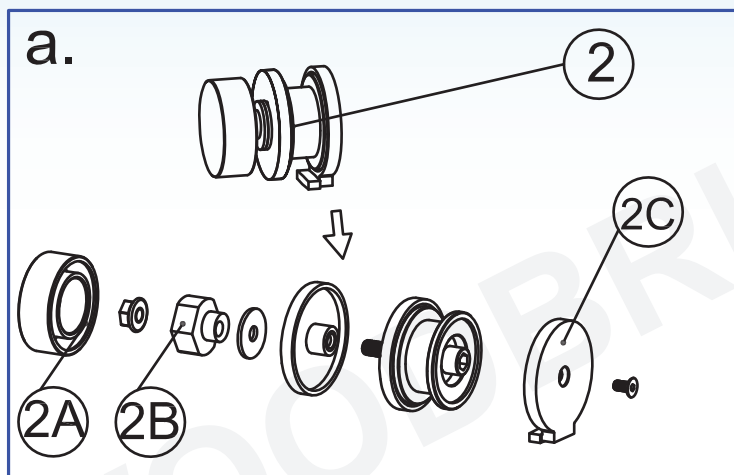
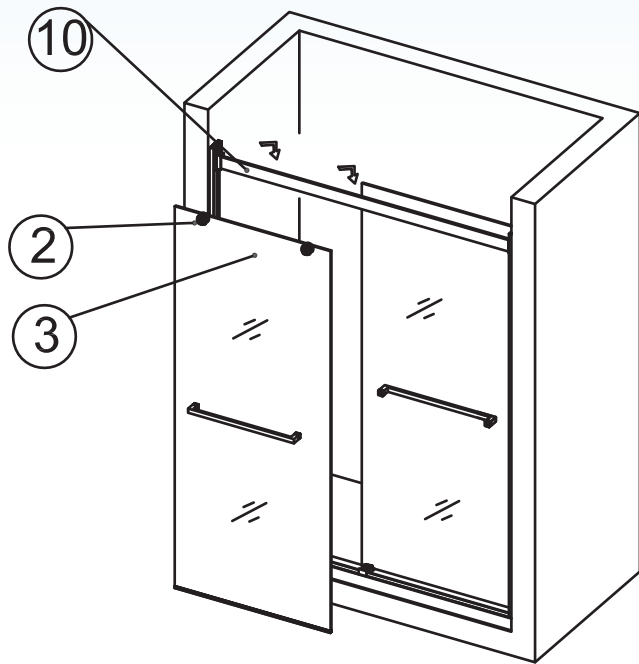


Fig 17

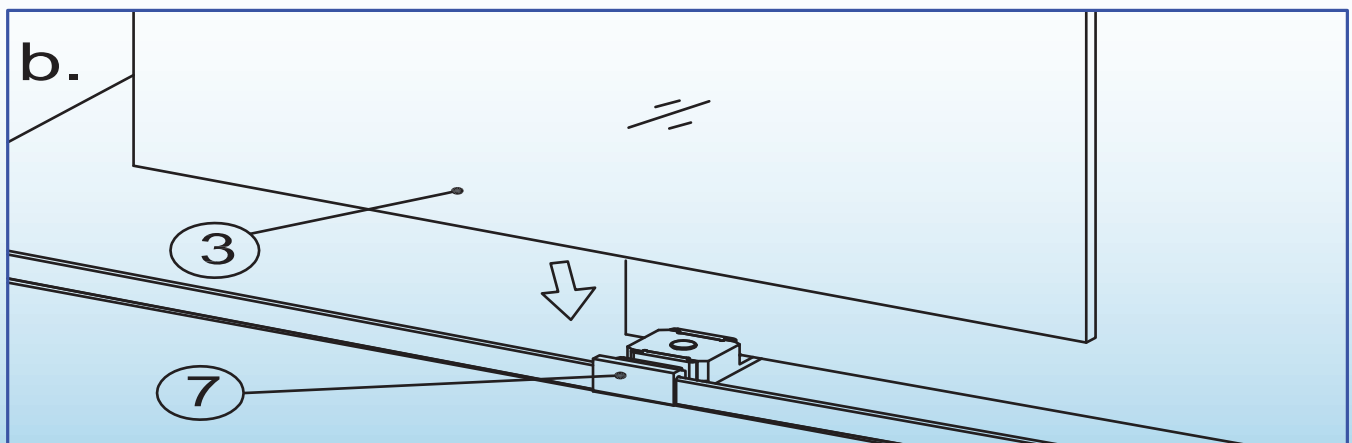
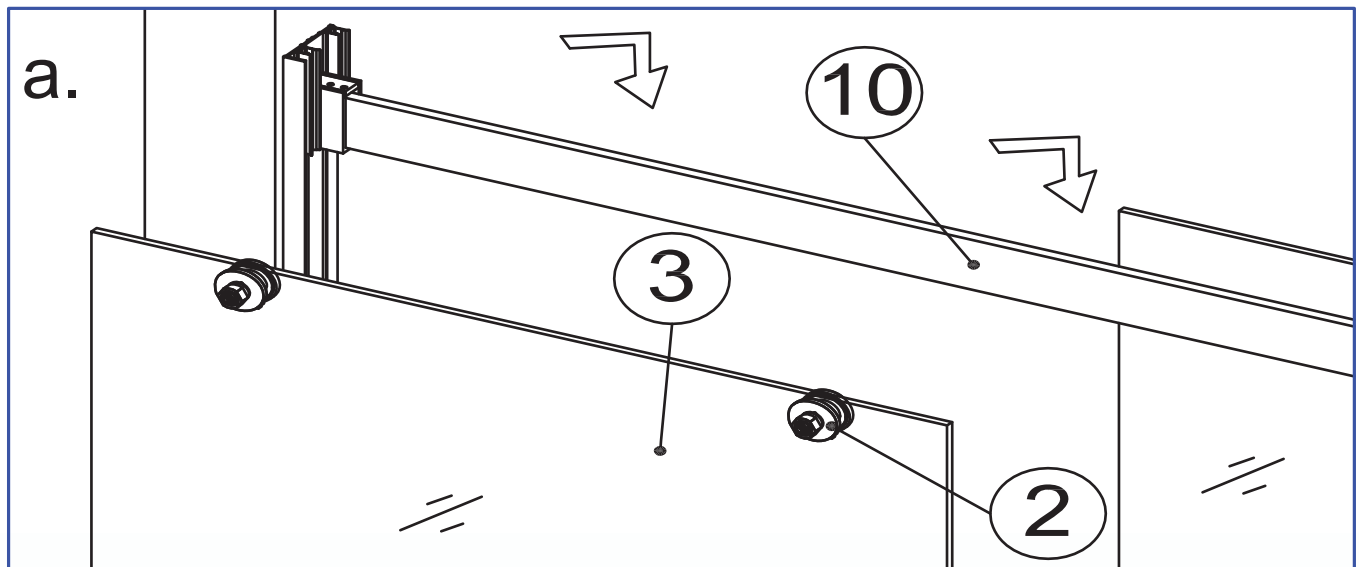
17. Install the Outside Rollers (2) and Towel Bar (5) to the Outside Glass Door (3). Please see Fig 17 for details



18. Hang the Outside Glass Door Assembly to the Aluminum Header Bar (10) and then slide the bottom edge of the glass door into the groove of the Bottom Guide (7).
Make sure that the roller is rolling against the track of the Aluminum Header Bar (10).

Please see Fig 14 for details

Fig 18



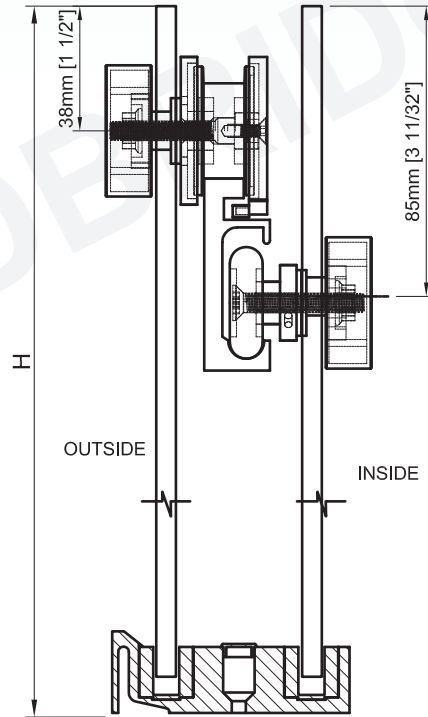
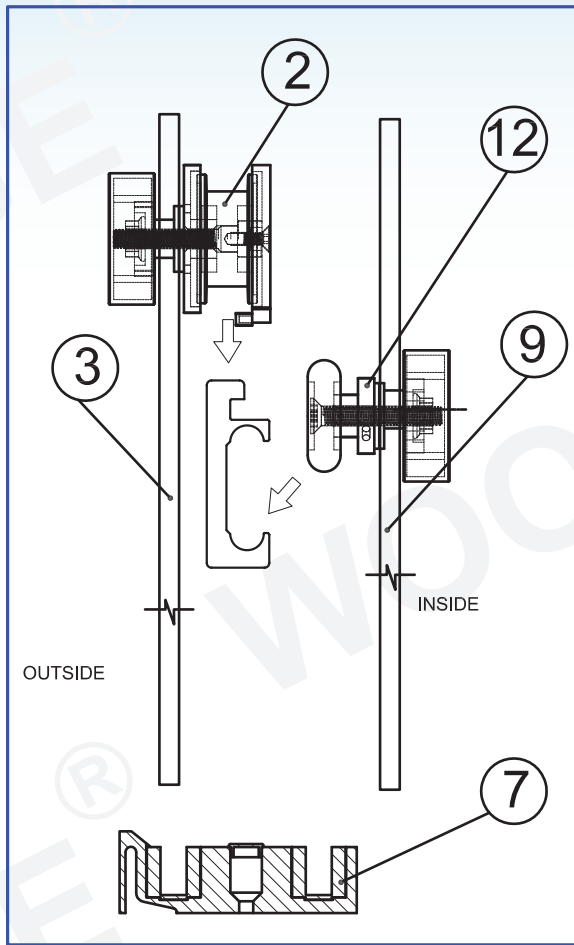
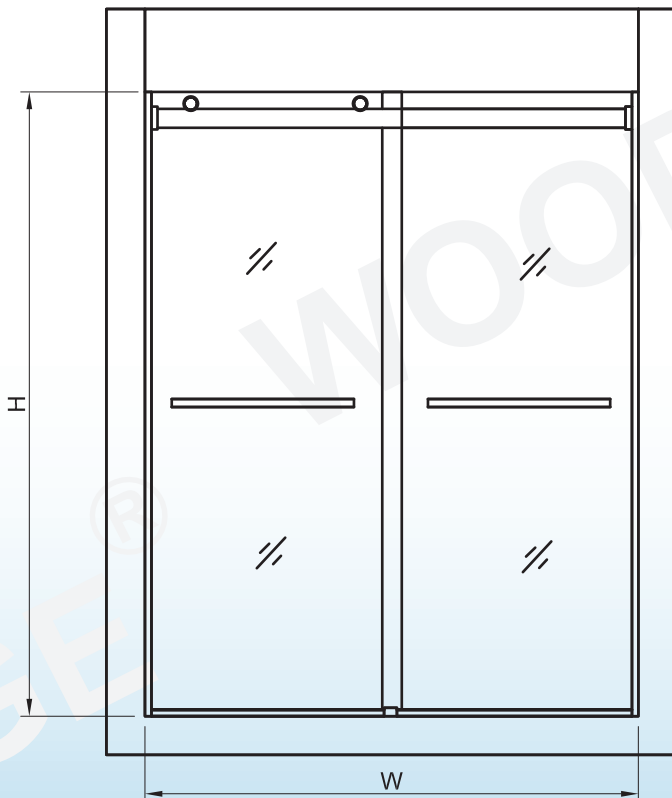


Fig 18



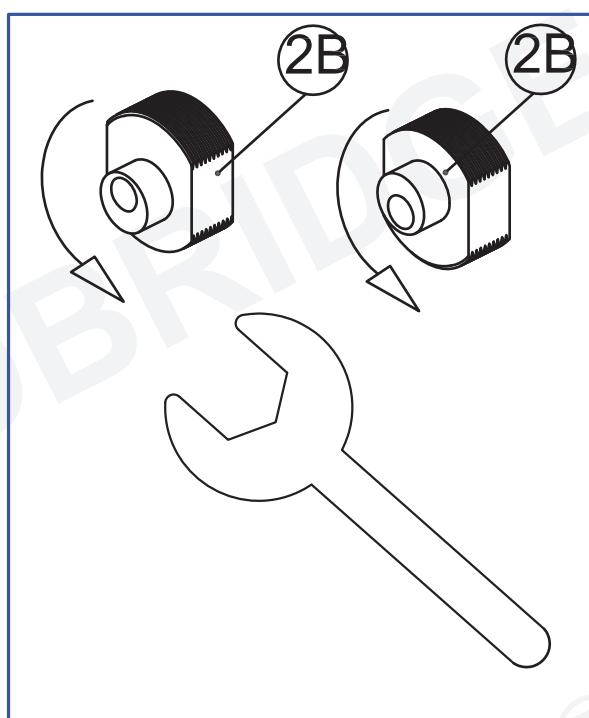
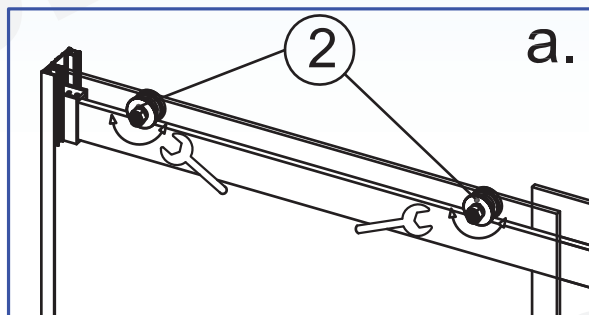
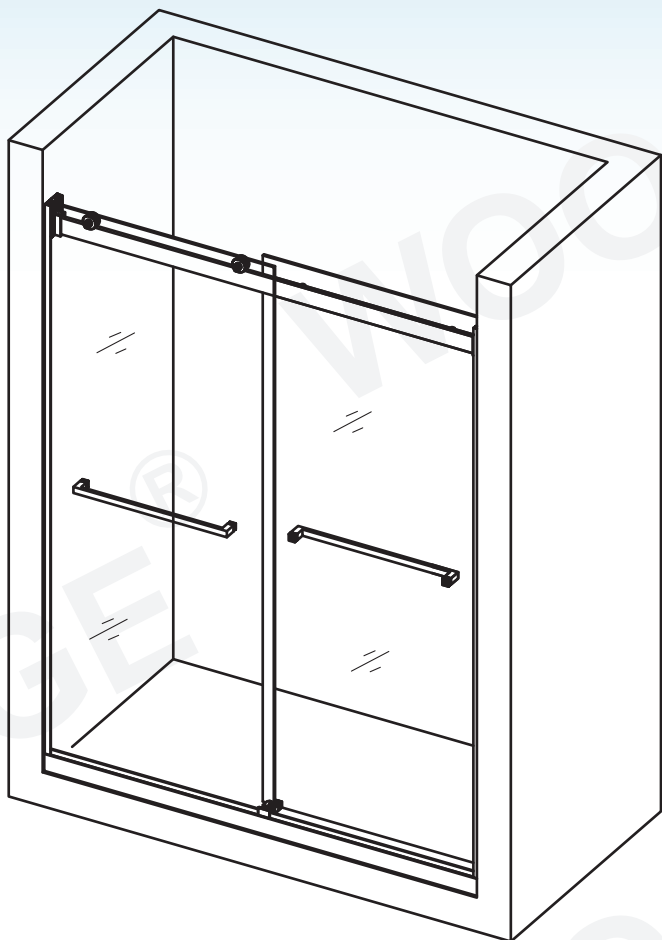


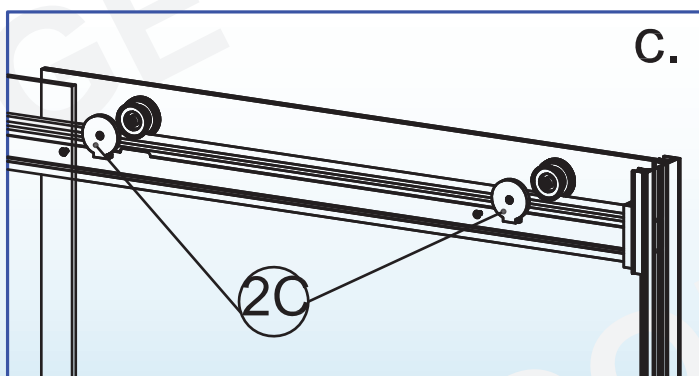
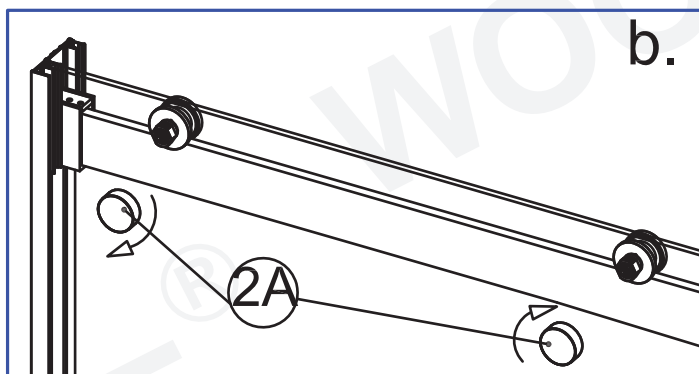
Fig 19

19. Adjust the fasteners on the Outside Rollers (2) with wrench (17) to ensure that the bottom edge of the Glass Door (3) will not touch the bottom of the Guide Block (7).

Make sure the Glass Capture Vinyl (11) can catch the glass door properly when the glass door closes.

Install the roller cover back to the roller assembly.

Please see Fig 19 for details



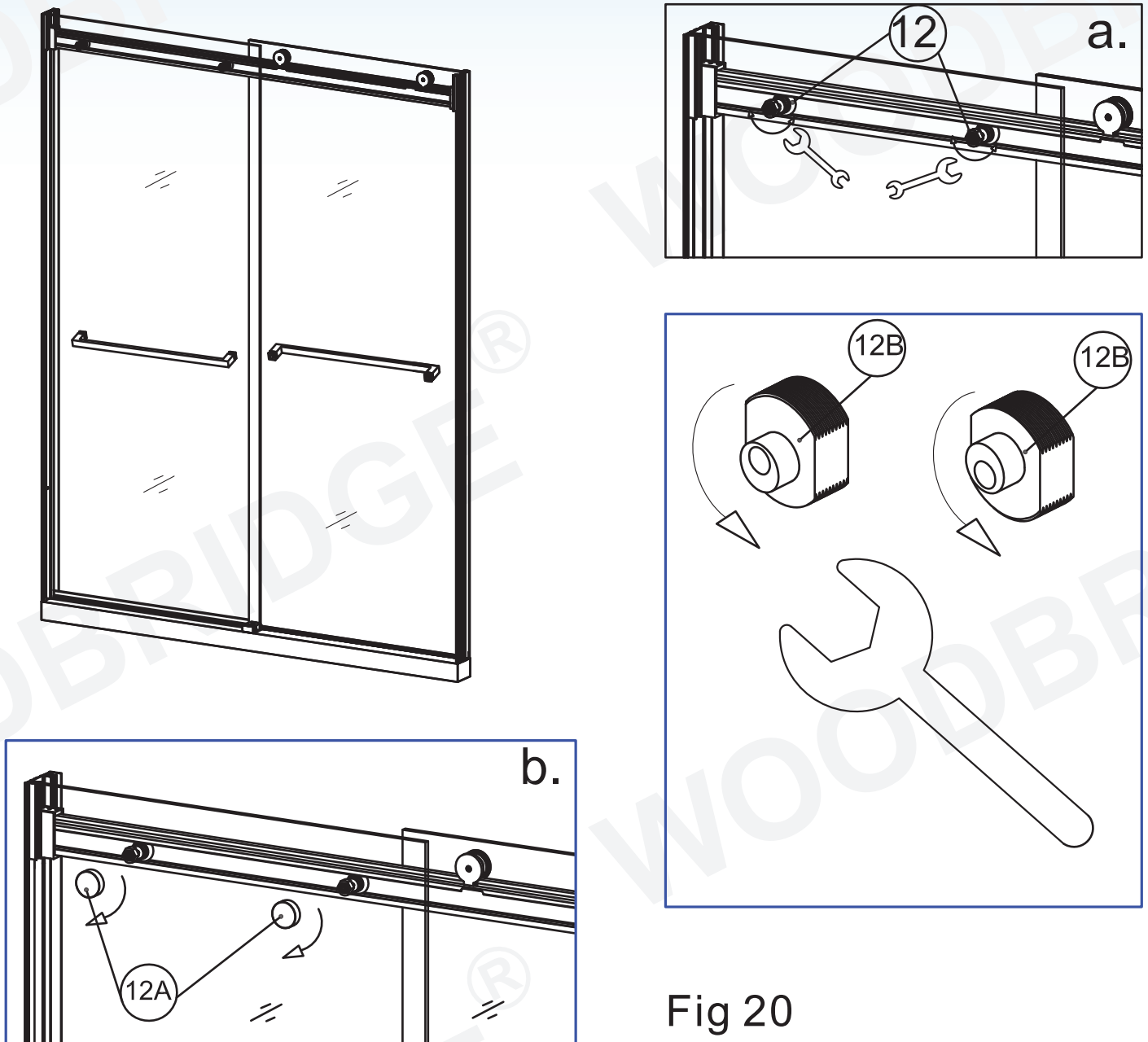


Fig 20

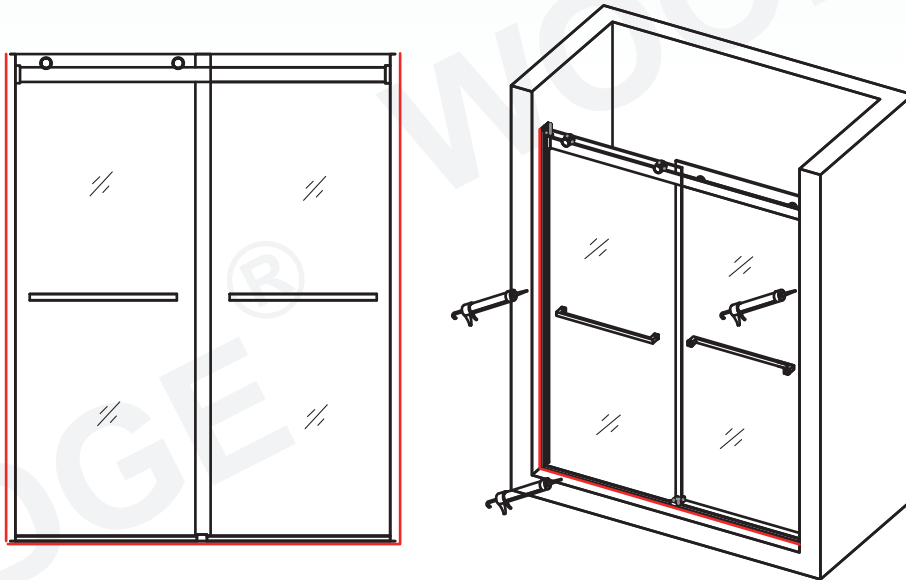
20. Adjust the fasteners on the Inside Rollers (12) with Wrench (17) to ensure that the bottom edge of the Glass Door (3) will not touch the bottom of the Guide Block (7). Make sure the Glass Capture Vinyl (11) can catch the glass door properly when the glass door closes.

Install the roller cover back to the roller assembly.

Please see Fig 20 for details

21. Apply silicone sealant on the seams between the stationary glass and the shower base/bathtub, and between the wall and the stationary glass.

See Figure 21 for details.



TUB DOORS **INSTALLATION** the same as SHOWER DOORS

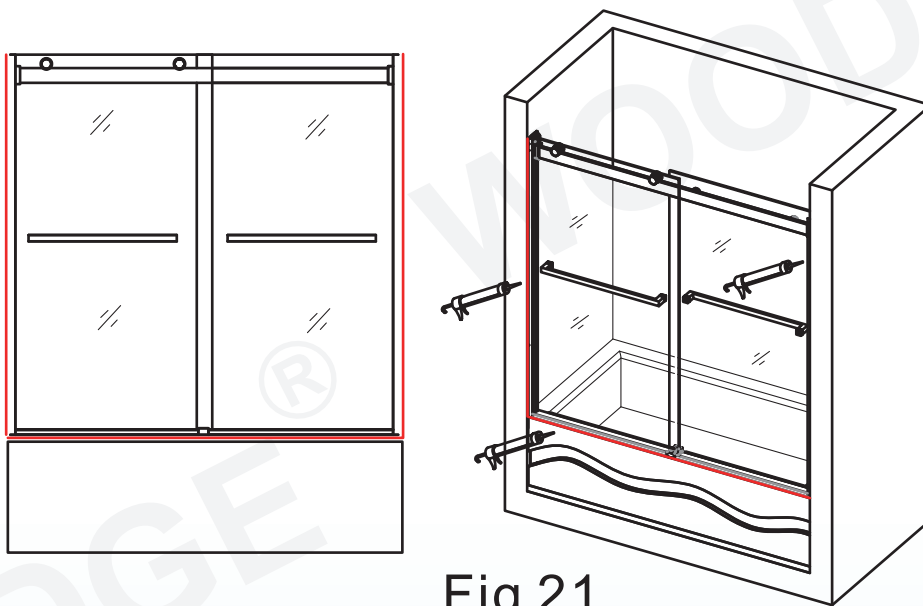


Fig 21

IMPORTANT:
MUST ALLOW SILICONE TO DRY FOR 24 HOURS BEFORE STARTING USING THE SHOWER ENCLOSURE

Thank you for using WoodBridge products!

Please don't hesitate to contact us if you have any questions or concerns.
Customer Service Phone: 562-229-0088. (Monday - Friday 9 AM - 5 PM Pacific Time)
Or Email: help@woodbridgebath.com

www.woodbridgebath.com

SHOWER DOORS/BATHTUB SHOWER DOOR LIMITED WARRANTY

Woodbridge offers following limited warranty on each of its shower door/bathtub shower door products only to the original purchaser/end user for personal household use. Woodbridge reserves the right to modify this limited warranty at any time, it being understood that such modifications will not alter the limited warranty conditions applicable at the time of sale of the products in question.

Woodbridge recommends that its products be installed by a **fully insured, licensed professional** with experience in the installation of bathroom (specifically shower and tub doors) products. Installation by an inexperienced installer may result in glass breakage and, consequently, may cause personal injury or even death. Installation must be in accordance with the installation manual without any modification. Any deviation from the installation manual shall VOID THE WARRANTY.

Woodbridge warrants

- The seal strips/bumper strips, hardware components to be free from defects in material and workmanship under normal household use **for limited 1 (One) year warranty** from date of purchased.
- The glass components to be free from defects in material and workmanship under normal household use **for limited 1 (One) year warranty** from date of purchased.

Woodbridge DO NOT warrant following:

- Finish of the hardware component due to the nature of plating and distressing processes, each production lot of these finishes varies slightly in brightness and tone. Some degree of inconsistency between items should be expected. We cannot guarantee an exact finish match between items.
- The safety film and ultra lux coating on glass panel as they will aged and faded after times of use but will not affects the functionality of it.
- The safety film on glass panel with cosmetic imperfection (scratches and changes in appearance of the adhesive due to dirt or other contaminates) which will not affect the functionality of it.
- **Glass door for scratches, chips, water spots, breaking or any other damage after installation.**

This limited warranty extends for the designated period as long as the product remains in use in its original place of installation. This limited warranty applies only to Woodbridge products purchased from an authorized dealer in the United States or Canada.

This limited warranty EXCLUDES all industrial, commercial, and business usage. Proof of purchase (original sales receipt) from the original purchaser, Description and pictures of defect, model number or model description must be provided to Woodbridge Bath for all warranty claims and Woodbridge Bath is NOT responsible for any labor cost, removal, or installation costs.

This limited warranty shall not apply to goods which have been subject to accident, negligence, improper installation, product abuse, product misuse, or use of cleaners containing abrasives, alcohol, or other organic solvents, whether performed by a contractor, service company, or yourself, are excluded from this warranty.

This warranty does not cover surface damaged caused by use of chemicals that break through or dissolve the surface finish or damage caused by the accidental dropping of sharp or heavy objects. Improper care and use of abrasive cleaners and will void the warranty.

RESPONSIBILITIES OF OTHERS

Inspecting the unit prior to installation is the responsibility of the installer or building contractor who acts on behalf of the user. They are responsible for ensuring the unit is free of defect or damage. Notices are placed on the unit and on the shipping, carton advising the installer of this responsibility. In the event of a problem, the unit must not be installed. Woodbridge is not responsible for failures or damage that could have been discovered, repaired, or avoided by proper inspection and testing prior to installation.

Damage occurring in transit is the responsibility of the carrier. The user or installer MUST open the crate and inspect the unit for damage when it is delivered. If damage is discovered, it must be reported immediately to the seller and the carrier in writing, and an inspection requested. Failure of the carrier to respond should be reported to the seller and the carrier. Your freight claims should be filed promptly thereafter.

DISCLAIMER

Except as expressly provided, there shall be no warranty or obligation, express or implied, oral or statutory. No dealer or other person has the authority to make any warranties or representations concerning or its products. In no event shall be held responsible for any such warranties or representations.

Some states/provinces do not allow limitations on how long an implied warranty lasts, or the exclusion on limitation of special, incidental, or consequential damages, so these

WOODBIDGE[®]

limitations and exclusions may not apply to you. This warranty gives you specific legal rights, you may also have other rights which vary from state/province to state/province.

To obtain warranty service and replacement part, please send e-mail to Woodbridge Customer Service with the original receipt information, Woodbridge will determine whether to repair or replace your product, issue a refund, or issue a credit.

WOODBIDGE

15600 Blackburn Ave,
Norwalk, CA 90650

(Monday – Friday 9 AM – 5 PM PST)

Email: help@woodbridgebath.com (Prefer by email)

Customer Service Number: 562-229-0088

www.woodbridgebath.com

10-12-2021 Rev.