

# INSTALLATION AND OPERATION GUIDE

---

## LED MEDICINE CABINET

Model: MCL2430

Model: MCL3630

Model: MCL4830

- Thank you for choosing our products. Please read the instructions carefully before installation and keep it available for future maintenance or reference.

Please don't hesitate to contact us if you have questions or concerns.  
Customer Service Phone: 562-229-0088 (Monday - Friday 9AM - 5PM  
Pacific Standard Time)

# Content



Safety Instructions	.....	1
Parts identification	.....	3
Technical Specification	.....	6
Using the Mirrored Cabinet	.....	7
Before Installation	.....	8
Tools and Materials	.....	8
Dimensions	.....	8
Installation	.....	9

# Safety Instructions



Please read the instructions carefully before installation and keep it available for future maintenance or reference.

Failure to observe this instruction can cause body injury and property damage.


## Explanation of symbols

 <b>Warning</b>	Refers to an immediately dangerous situation that will cause serious injury or death.
 <b>Caution</b>	Refers to a potentially dangerous situation that may cause slight or moderate injury or property damage.

## Explanation of symbols

Symbol	Indication
	Refers to prohibited activities.
	Refers to mandatory activities.

## **Warning** — To reduce the risk of burns, electrocution, fire, or injury to persons:

 <b>Mandatory activities</b>	<ul style="list-style-type: none"> <li>• Before using the product, install reachable power cut equipment outside the product.</li> <li>• Only for safety use in areas with altitude below 2000m. (6561 foot)</li> </ul> <p><b>Grounding Instructions</b></p> <ul style="list-style-type: none"> <li>• This product should be grounded. In the event of an electrical short circuit, grounding reduces the risk of electric shock by providing an escape wire for the electric current. This product is equipped with a cord having a grounding wire.  <b>WARNING</b> – Improper use of the grounding plug can result in a risk of electric shock.</li> <li>• If repair or replacement of the cord is necessary, do not connect the grounding wire to either flat blade terminal. The wire with insulation having an outer surface that is green with or without yellow stripes is the grounding wire.</li> <li>• Check with a qualified electrician or service personnel if the grounding instructions are not completely understood, or in doubt as to whether the product is grounded properly.</li> <li>• The product is factory equipped with a specific electric cord. If the product must be reconnected for use on a different type of electric circuit, the connection should be made by qualified service personnel.</li> <li>• If the power cord is damaged, repairs should only be carried out by qualified technician.</li> </ul>
--	---

## Warning



- Do not try to disassemble the device. The disassembly of the device by unauthorized personnel may damage the device. And will also void the device warranty.
- Do not handle the electrical plug with wet hands.
- Never operate this product if it has a damaged cord or plug. Call for professional service.
- The product should be used with a grounded socket rated at least 15A. Do not other electric appliances in the same socket.
- The plug should be fully inserted to socket.

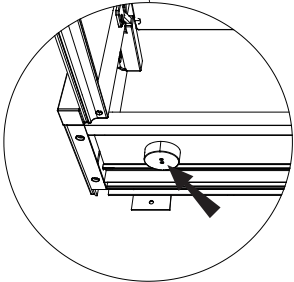
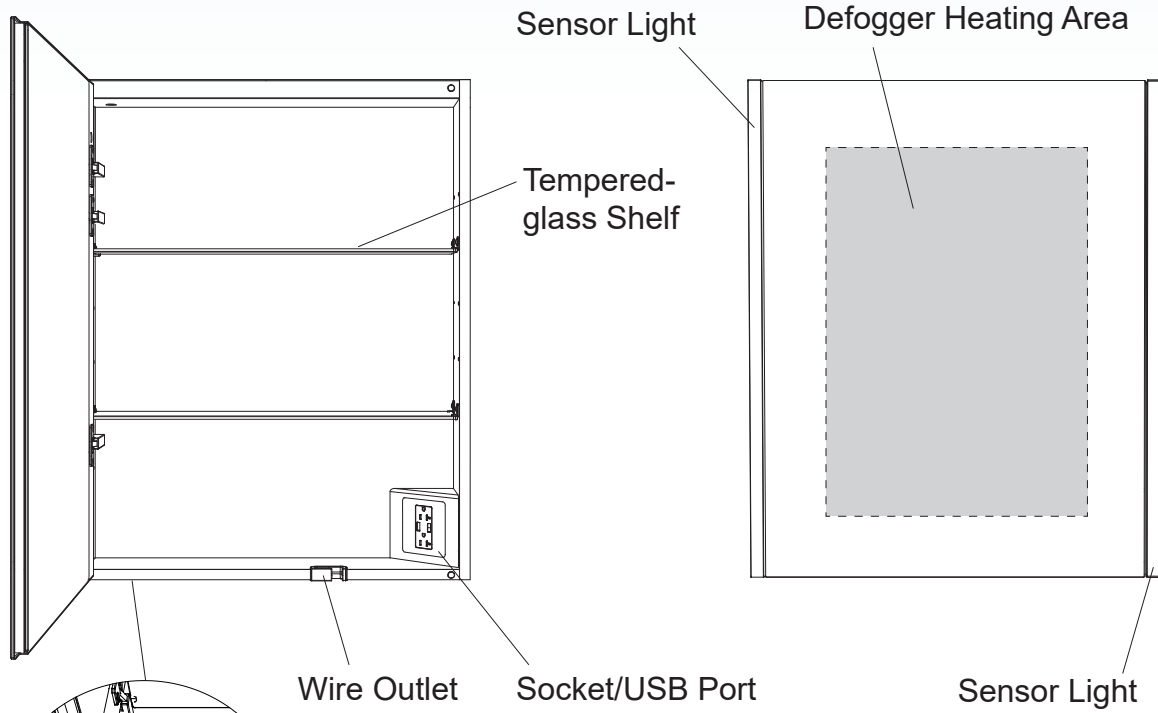
## Caution



- Do not place the product in a location exposed to direct sunlight as this will shorten the life of the electronic components.
- Avoid placing other objects within a distance of at least (5") below infrared sensor or mirror objects facing the sensor within a distance of (9.8") , so that performance is not impaired.
- Only for indoor use. Avoid exposing the product to rain or moisture.
- Never immerse the product in water or other liquid.
- Avoid direct exposure to sunlight and keep away from heat sources. The device may not operate normally otherwise.
- Do not use any sharp items to damage the product as this may crush and cause injury.
- Do not attempt to disassemble the product for any kind of repairs. This is to prevent damage to the product and it also voids the warranty.
- Do not place the product in very cold (under -5°C) or very hot (over 40°C) environments as this may cause the device not to operate normally.
- Do not insert pins, iron wires or other objects into product holes.
- Do not move, shake or tilt the product during operation.
- Do not place the product in unstable or humid places.
- Keep a distance from the heating area when the defogger in operation, to avoid burns.

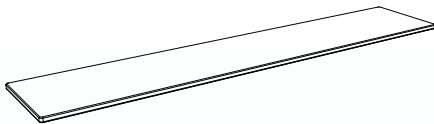
# Parts identification

## MCL2430 (24 inches)

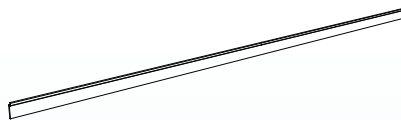


Mirror Light Sensor Switch

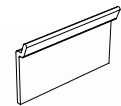
### Accessories List



Glass Shelf\*2  
564.4\*110\*6mm  
(22.2"x4.33"x0.24")



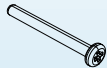
Mounting Bar\*1



Mounting Bracket\*2



Wall Anchor\*5



Screw\*5



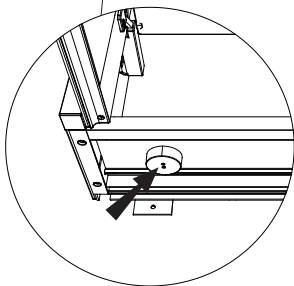
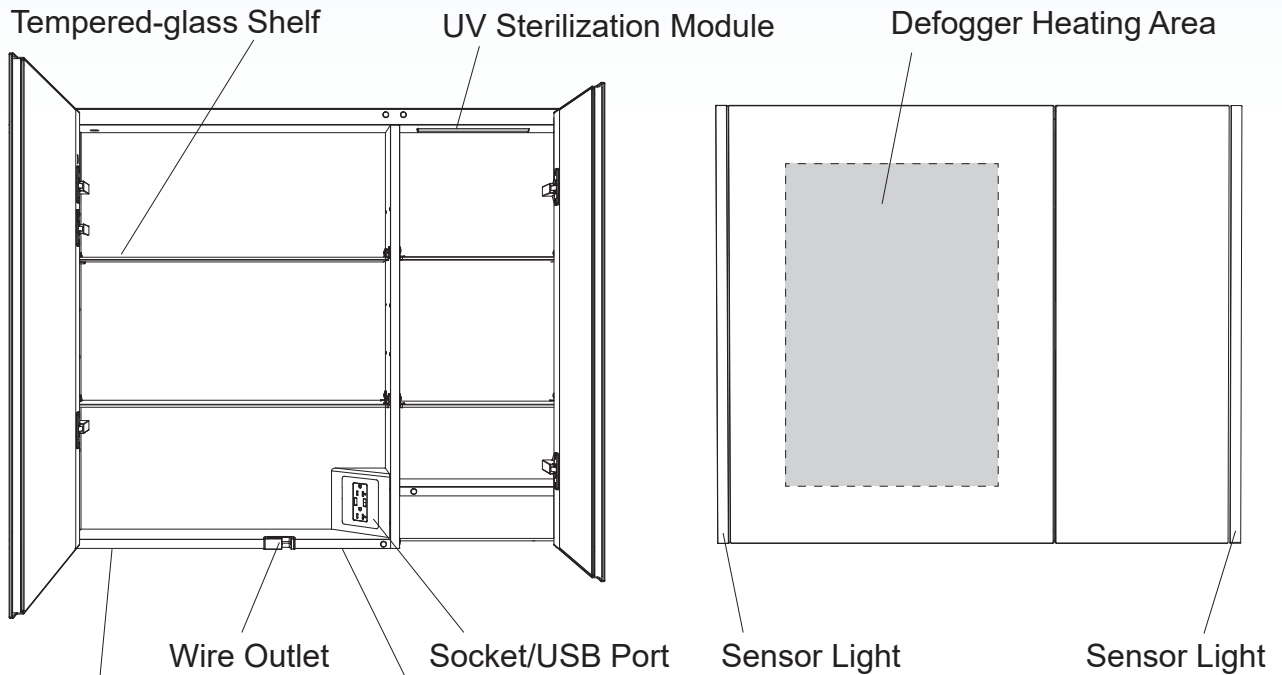
Shelf Clip\*8



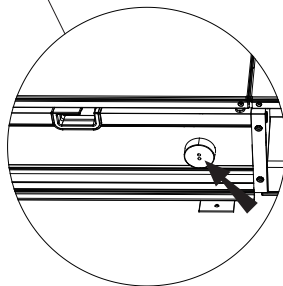
Installation Manual

# Parts identification

MCL3630 (36 inches)

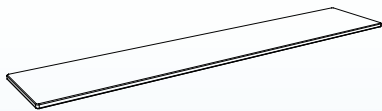


Mirror Light Sensor Switch

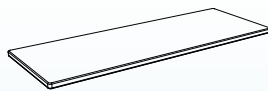


UV Sterilization Sensor Switch

## Accessories List



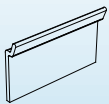
Glass Shelf (left)\*2  
564.4\*110\*6mm  
(22.2"x4.33"x0.24")



Glass Shelf (right)\* 2  
284\*110\*6mm  
(11.18"x4.33"x0.24")



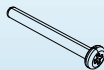
Mounting Bar\*1



Mounting Bracket\*2



Wall Anchor\*5



Screw\*5



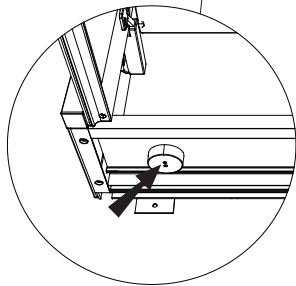
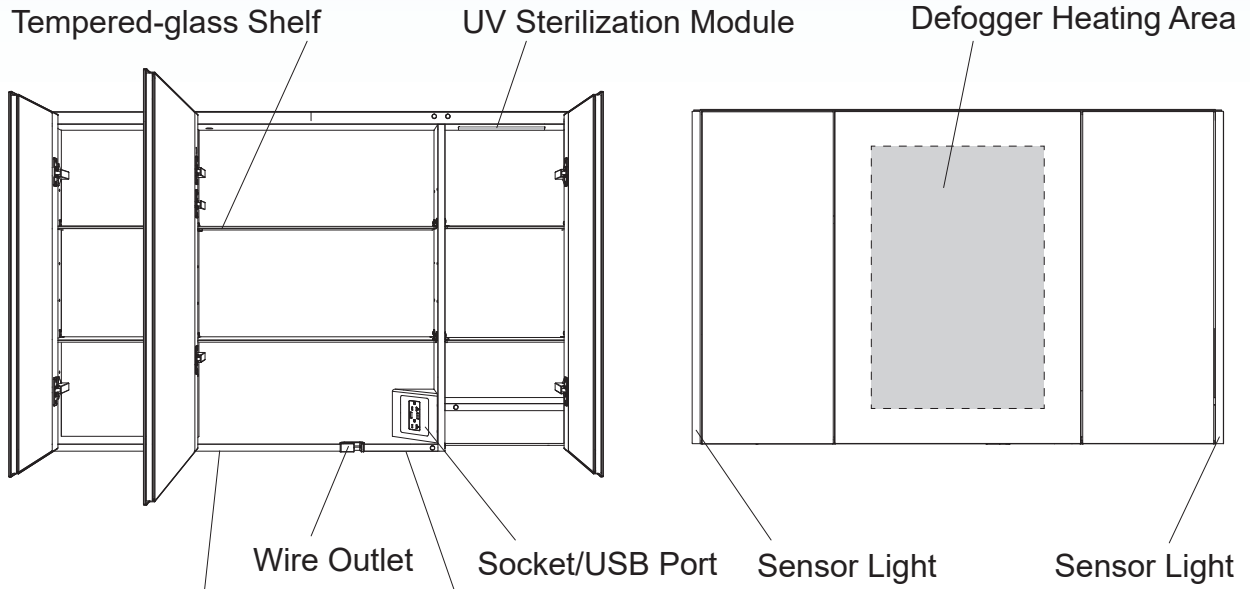
Shelf Clip\*12



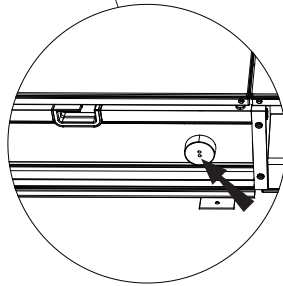
Installation Manual

# Parts identification

MCL4830 (48 inches)

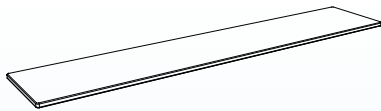


Mirror Light Sensor Switch

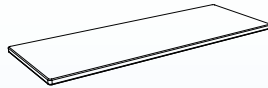


UV Sterilization Sensor Switch

## Accessories List



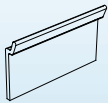
Glass Shelf (middle)\*2  
564.4\*110\*6mm  
(22.2"x4.33"x0.24")



Glass Shelf \*4  
284\*110\*6mm  
(11.18"x4.33"x0.24")



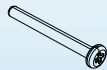
Mounting Bar\*1



Mounting Bracket\*2



Wall Anchor\*5



Screw\*5



Shelf Clip\*24



Installation Manual

## Technical Specification

Rated voltage		120V
Rated frequency		60Hz
Ambient temperature		-5°C ~ 40°C (23F~104F)
Power cord length		About 1.3m (51.2")
Lighting	Rated voltage	DC 24V
	Max power	7.5W*2
	Color temperature	LED 3000K、 4500K、 6000K
	Installation location	Two side of cabinet
※ UV sterilization lamp	Emission power	15mW*3
	Installation location	Top of right inner cabinet
Defogger (electrical heating)	Heating power	18W
	Size	300mm*400mm
	Installation location	Back of outer mirror
Socket	AC	American standard, 14A, 3-hole ; Maximum output power:1680W
	DC	USB charging port (Maximum total current of 2 USB ports is 3.6A.)
	Installation location	Inner cabinet

※Only 36 inches (2 doors) and 48 inches (3 doors) model with UV sterilization lamp.

This device complies with Part 15 of the FCC Rules. Operation is subject to the following two conditions:

- (1) This device may not cause harmful interference, and
- (2) This device must accept any interference received, including interference that may cause undesired operation.

Caution: Changes or modifications not expressly approved by the party responsible for compliance could void the user's authority to operate the equipment.

NOTE: This equipment has been tested and found to comply with the limits for a Class B digital device, pursuant to Part 15 of the FCC Rules. These limits are designed to provide reasonable protection against harmful interference in a residential installation. This equipment generates, uses and can radiate radio frequency energy and, if not installed and used in accordance with the instructions, may cause harmful interference to radio communications.

However, there is no guarantee that interference will not occur in a particular installation. If this equipment does cause harmful interference to radio or television reception, which can be determined by turning the equipment off and on, the user is encouraged to try to correct the interference by one or more of the following measures:

- Relocate the receiving antenna.
- Increase the separation between the equipment and receiver.
- Connect the equipment into an outlet on a circuit different from that to which the receiver is connected.
- Consult the dealer or an experienced radio/TV technician for help.

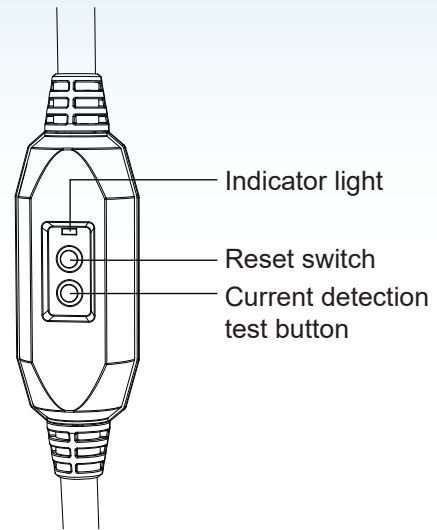
# Using the Mirrored Cabinet

## 1 Turning the device on/off

1. Insert the leakage protection plug into a power socket, press the reset switch, plug indicator lights up, indicating that the power is on.
2. Turn on power to enter standby mode, and off to shutdown mode.

Note: Press the test button prior to usage, the reset switch pops up indicating that the leakage protection function is normal.

Press the TEST button (then RESET button) every month to assure proper operation.



## 2 Operation instructions

1. Light on: When light is off, wave hand 3-5cm below light sensor to turn light on.
2. Light off: When light is on for more than 10 seconds, wave hand 3-5cm under light sensor to turn light off.
3. Switch light color: When light is turned on or light color is switched for less than 10 seconds, wave hand under light sensor to switch light color.
4. Adjust light brightness: When light is on, place hand under light sensor for more than 1 second to adjust light brightness steplessly.
5. Defog: Defogger and power switch controlled at same time.
6. UV sterilization: When this function is off, place hand under UV sterilization sensor for 2 seconds until it beeps, indicating UV sterilization function is turned on. Place hand under sensor for 2 seconds again to turn off the function. The function will turned off automatically after 15 minutes or when the right door is opened. (Only for products with UV sterilization lamp)


## 3 Socket/USB


The socket/USB is located inside the cabinet.

## 4 Cleaning the device

Please shut down the device before cleaning. Do not use any kind of chemical detergent to wipe the device. It is recommended to use a soft, fine, non-corrosive cloth.

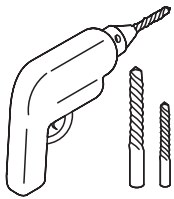
## Before Installation

 **WARNING:** Risk of electric shock. Disconnect power before installation.

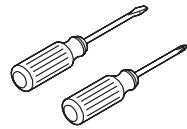
 **WARNING:** Risk of electric shock. Connect only to a properly-grounded , grounding-type receptacle which is supplied by a 120~, 60Hz power and protected by Residual Current Device (RCD). It is important to identify the type of wall where the medicine cabinet will be installed and prepare the installation location accordingly.

\* Install an anchoring brace in the wall prior to installing the drywall, this can be a 2" x 6" piece of wood that will fit between the two studs, then install drywall and finish as usual. Due to excessive weight of this medicine cabinet, It should not be mounted to drywall unless it is properly secure to the anchoring brace.

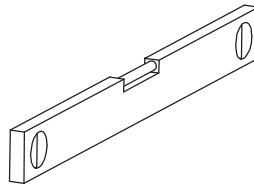
## Tools and Materials



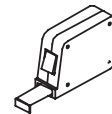
Drill with Assorted Bits



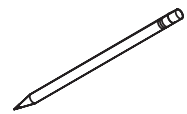
Assorted Screwdrivers



Leveling Ruler



Tape Measure

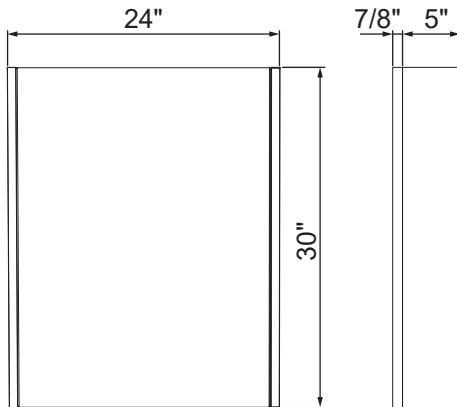


Pencil

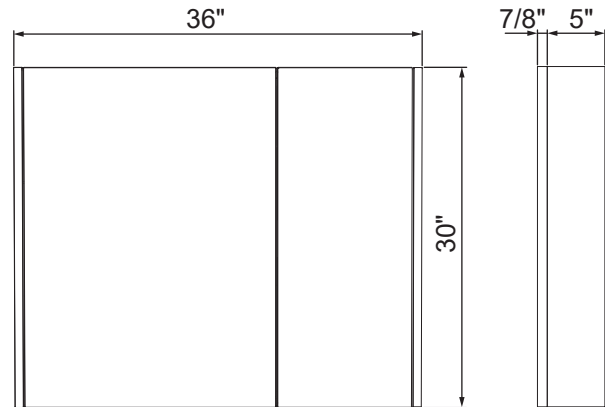
## Dimensions

Unit: mm

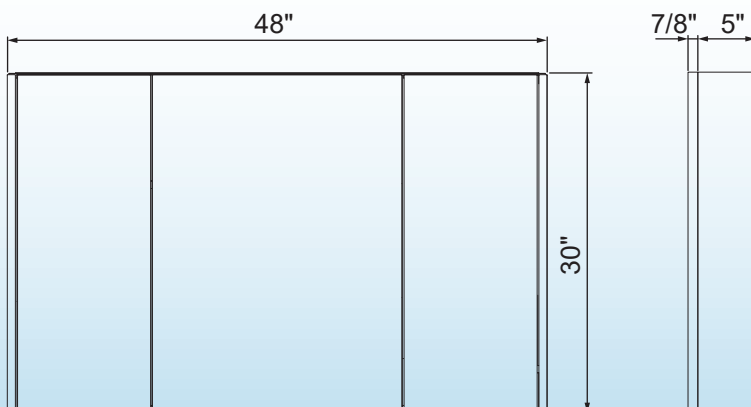
MCL2430 (24 inches)



MCL3630 (36 inches)



MCL4830 (48 inches)

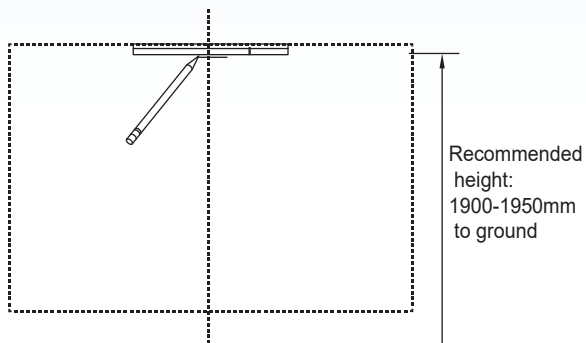


### Note:

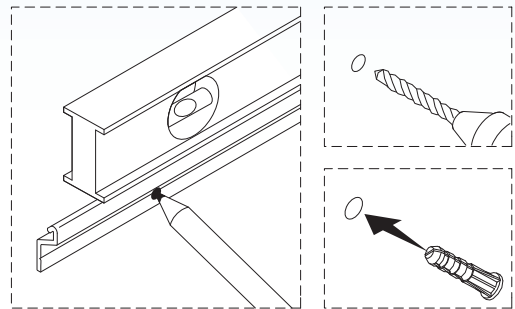
1. The drawing is for reference only, and we reserve the right to modify the product appearance, without prior notice.
2. Product appearance is subject to change in kind, without prior notice.

# Installation

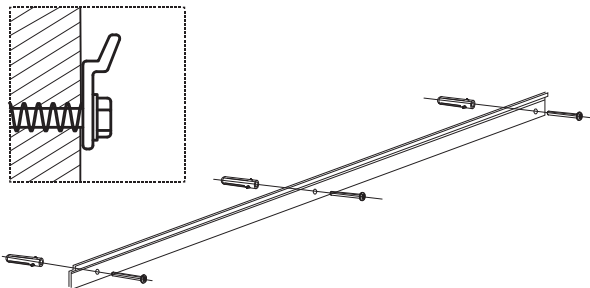
- 1** Mark the locations of mounting bars (determining the center point) and screws.



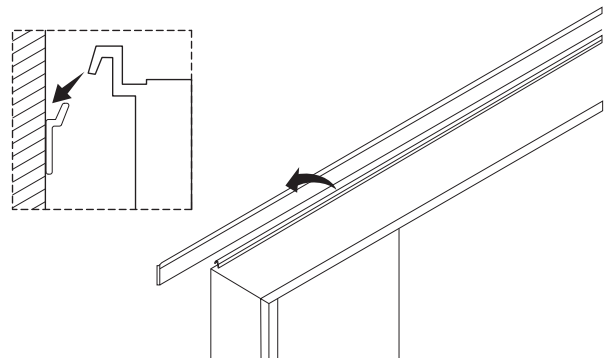
- 2** Drill installation holes at the marked locations, and insert the wall anchor where needed.



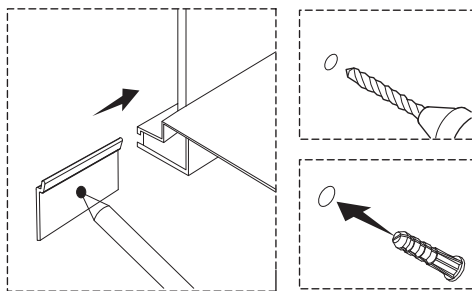
- 3** Fix the mounting bar with screws.



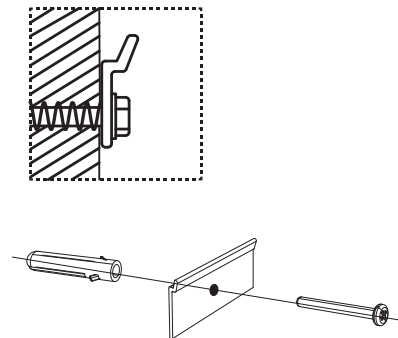
- 4** Put the cabinet on the mounting bar and connect to hook properly.



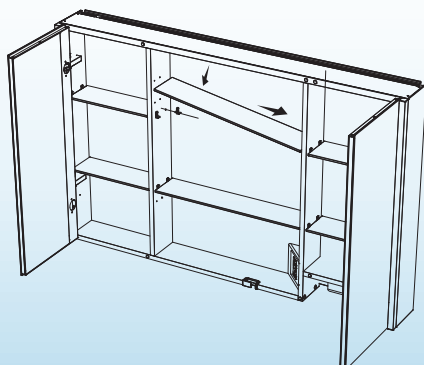
- 5** Slide two brackets into the grooves at the bottom of cabinet. Mark the installation locations, drill holes and insert the wall anchor.



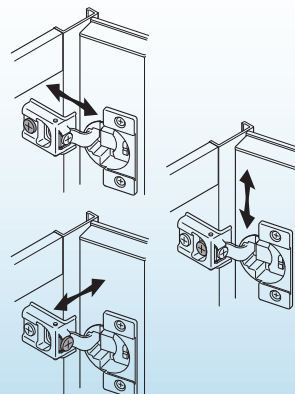
- 6** Fix the bracket with screws.



- 7** Insert the clips into the side holes and fit the shelves into the clips.



- 8** If needed, align the door.



**Please don't hesitate to contact us if you have questions or concerns.  
Customer Service Phone: 562-229-0088 (Monday – Friday 9AM – 5PM  
Pacific Standard Time)**