

INSTALLATION INSTRUCTION

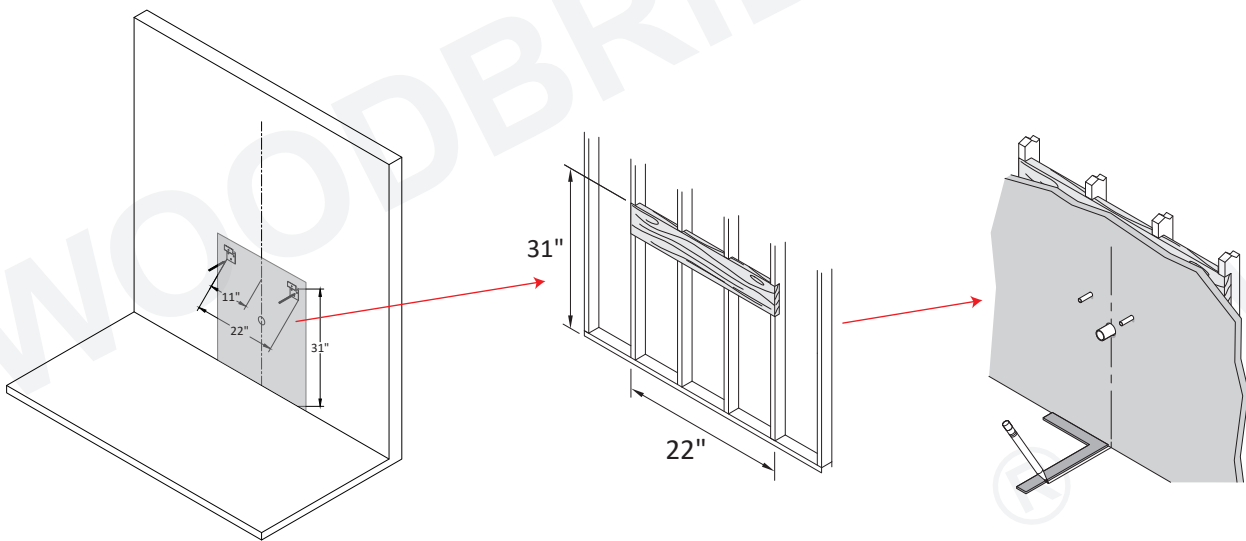
WOODBIDGE[®]

BEFORE INSTALLATION

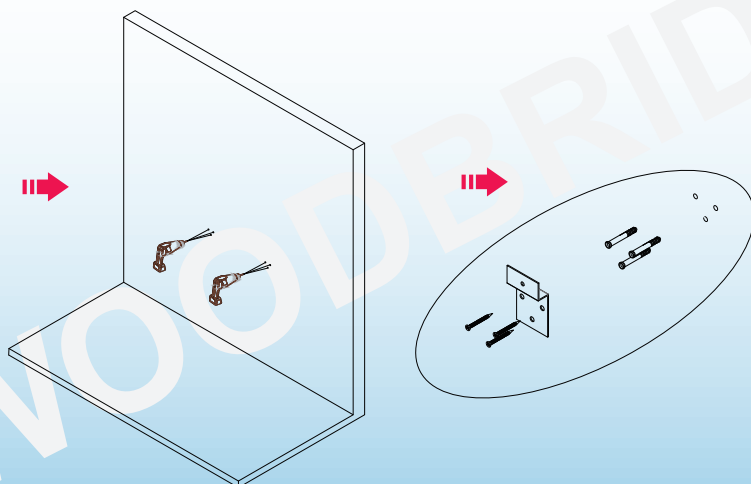
- Shut off the water supply line. If the sink doesn't have its own water shut-off valve, shut off the water valve for your whole home. Drain standing water from the hot and cold lines into a bucket.
- If you are installing a sink in a new location, get a plumber to rough-in the plumbing.
- If you are replacing an old sink, you may be able to use the existing plumbing.
- It is important to identify the type of wall where the pedestal sink will be installed and prepare the installation location accordingly.

INSTALLATION STEPS:

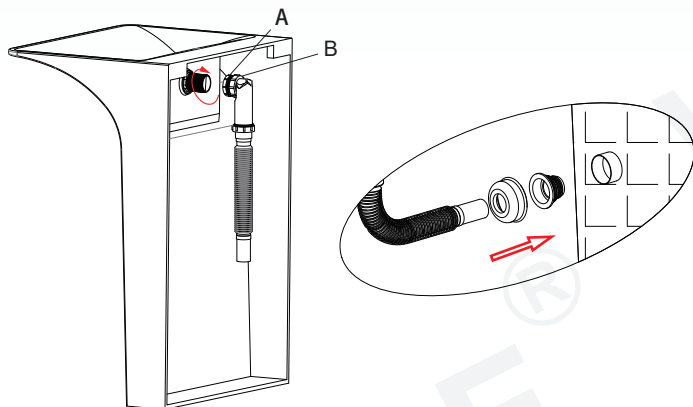
- (1) Place the pedestal sink on desired mounting location and use a stud finder to locate the wall stud inside the wall, mark the height of the sink and measure the mounting holes distance on the wall with pencil, cut a hole in the wall at the sink height that spans from stud to stud and build a wood brace support between the studs.



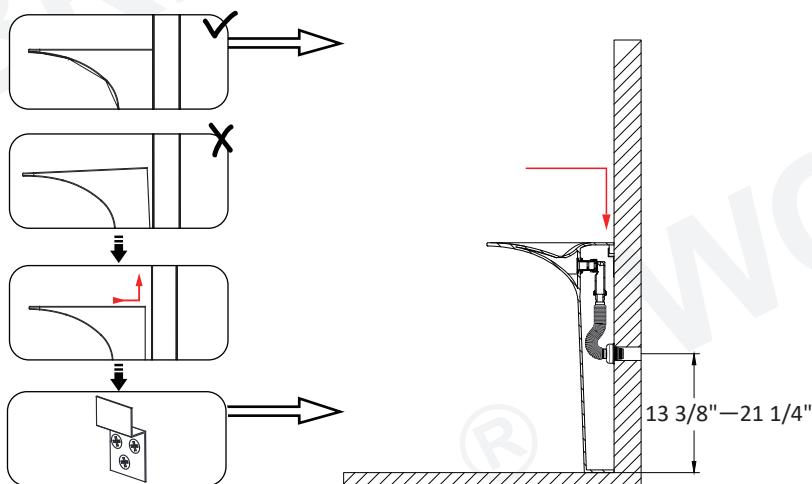
- (2) Use 8mm drill bits to drill mounting holes (62mm depth) on marked location, insert anchors and install the wall hung bracket and secure with screws.



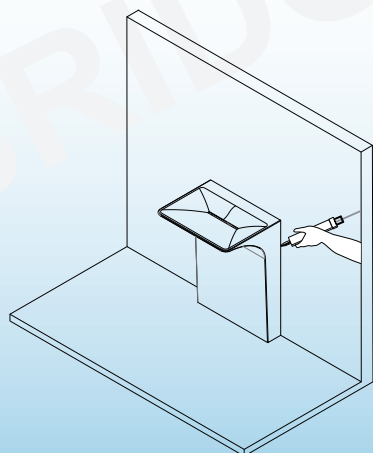
- (3) From the back side of the pedestal sink, install flexible drain tube with lock nut (B) to the male thread (A) and high tighten it, insert the other end of the drain tube and cap to waste outlet on wall/floor.



- (4) Lift the pedestal sink about 2-inches away from floor, place it against the wall and gently attach it to the wall hanging bracket.



- (5) Make sure the sink is flush to the wall, put a level on top of the sink and make sure it is level and stable, any minor adjustment if necessary. Apply a bead of silicone caulking around the edge of the pedestal sink and let it dry.



MAINTENANCE TIPS:

- (1) If your pedestal sink develops minor scratches, they may be removed by scrubbing gently with fine grit sandpaper, a soft brush or non-abrasive sponge and cream cleaner.
- (2) In addition, if the minor scratches remaining after above step or you would like to polish the area in question to its original finish, you may perform following procedure.
 1. Clean the surface with water and make sure no dust remains.
 2. Using water, polish the area starting with 800 grit sandpaper then final with 1000 grit sandpaper.
 3. Wipe up remaining wax with clean dry cloth.

DAILY CARE:

Do's:

- **Use warm water to clean the sink and pedestal, wipe up the water with clean and soft dry cloth after use, this will maintain the tub finish and look as new.**

Don'ts:

- **Do not use any abrasive cleaners, cleaners containing acid, alkaline, ammonia or solvents which will cause damage in the surface.**
- **Do not expose the surface to hair dye or nail varnish as this may cause stains.**

Customer Service Phone: 562-229-0088. (Monday - Friday 9 AM - 5 PM Pacific Time)

Or Email: help@woodbridgebath.com