

# INSTALLATION AND CARE GUIDE

---

## WOODBIDGE<sup>®</sup>

### SOLID SURFACE BATHTUB



**READ ALL INSTRUCTIONS BEFORE UNPACKING THE PRODUCT**

INSTRUCTIONS THAT, IF IGNORED COULD RESULT IN DEATH OR SERIOUS INJURY CAUSED BY INCORRECT HANDLING OR INSTALLATION OF THE PRODUCT. THESE INSTRUCTIONS MUST BE OBSERVED FOR SAFE INSTALLATION.

**CAUTION!**



**TWO PERSON  
LIFT REQUIRED**

**2 PEOPLE ARE REQUIRED TO LIFT AND DURING  
ENTIRE INSTALLATION OF THIS PRODUCT**

This products must be installed by a fully insured and licensed plumber only. Installation of any our product by anyone other than fully insured and licensed plumber shall void limited warranty. We recommends that such licensed plumber have experience in the installation of products.

Limited warranty is void on any commercial installation

We are not responsible for local code compliance for this product. Building and plumbing codes may vary from state-to-state in accordance to your location. We are not responsible for providing any compliance certifications.

Under no circumstances we are shall not be liable for any and all incidental damages sustained in connection with this product

Neither manufacture, nor distributor, nor retailer is responsible for water damage or flood caused due to use of this product.

Under no circumstances We shall not be liable for any and all fees, cost of installation/reinstallation/removal, subsequent damage or transportation in case of the product defect

**Customer Service Phone: 562-229-0088. (Monday - Friday 9 AM - 5 PM Pacific Time)**

**Or Email: [help@woodbridgebath.com](mailto:help@woodbridgebath.com)**

20211228 REV. 1

[www.woodbridgebath.com](http://www.woodbridgebath.com)

## TOOLS REQUIRED FOR INSTALLATION (NOT INCLUDED)

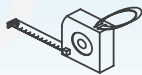
OTHER TOOLS MAY BE REQUIRED



Soft Cloth  
or Blanket



Silicone



Tape  
Measure



Pencil/Marker



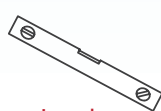
Hacksaw



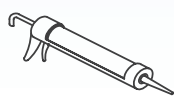
Safety Glass



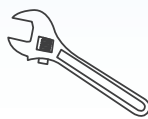
Knife



Level



Caulk Gun



Adjustable  
Wrench



Channel  
Lock Pliers



Plumber's Tape

Inspect the bathtub for any damages. If any damage is found please contact your retailer.

### BEFORE INSTALLATION

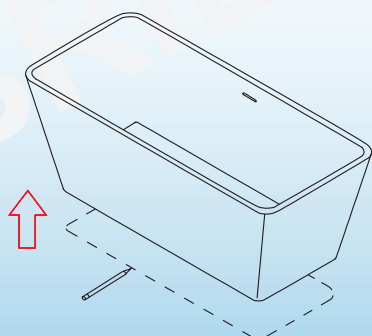
**CAUTION: Risk of personal injury.** This bathtub is extremely heavy. Obtain sufficient help to lift and move the tub.

### IMPORTANT!

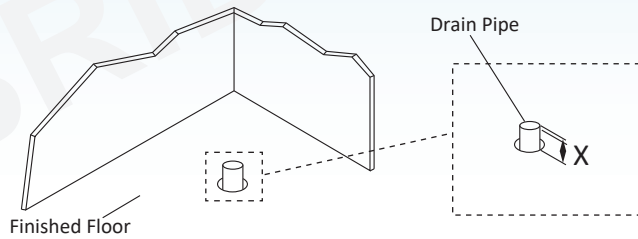
- (1) To ensure a successful installation, install the bathtub on a level finished and structurally floor.
- (2) Observe all local plumbing and building codes.
- (3) Check that all parts are included. Make sure you locate all the parts before discarding the carton and packing material.
- (4) Unpack and inspect the bathtub for damage. If there is any missing parts or damage is found, please contact the seller for assistance. Do not install it, return the bathtub to the carton.
- (5) No claims for damages or blemishes will be accepted once tub has been installed.
- (6) Carefully moving the bathtub to the installation area. This bath is heavy and will not easily fit through doorways.
- (7) Provide drain access from below and access to all plumbing connection.
- (8) Because of the weight and volume of the tub, we strongly recommend that this installation be done by qualified licensed professional and with the help of at least one other person, a fall may seem like minor but may result in cracking on tub. Moving straps and rubber gripped gloves are highly recommended.
- (9) Tub drain and brass tailpiece are supplied with the product, however other accessories like slip joint, P-Trap and adapter are not included and must be purchased separately.

### INSTALLATION STEPS:

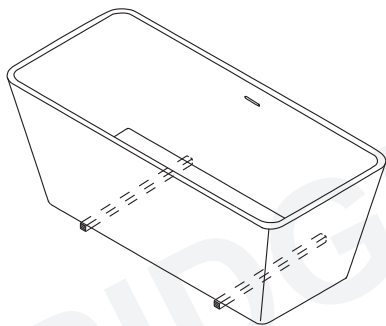
1. Determine the installation location. Position the tub at the desired location, mark the perimeter of the tub with pencil and the location of where the tub drain will be situated, remove the tub, and place it on a soft blanket or cardboard.



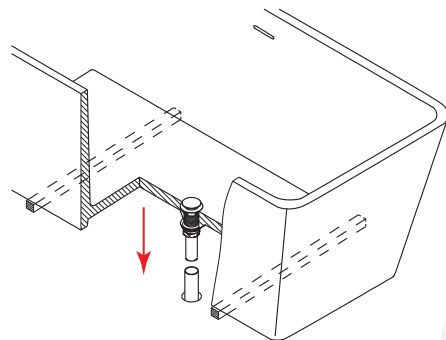
2. Install a PVC or brass drainpipe, make sure the drainpipe extends above the finished floor.



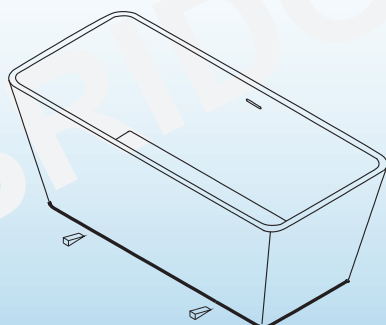
3. Place 2 pieces of lumber (4"x4"), long enough to span the width of the tub and place them on each side of the drainpipe to temporary support the tub.



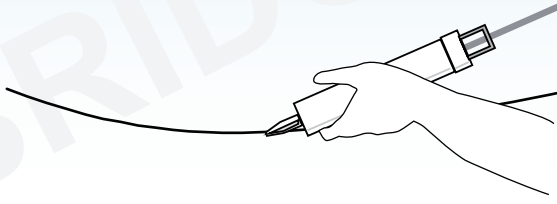
4. Team lift the bathtub on top of the lumber support rails and carefully reposition the tub, so the drain is directly over the drainpipe. Secure brass tail piece to the bottom of the drain or using a flexible drain and gently lower and adjust the tub position to ensure the drainpipe is in the center of the drain hole.



5. Close the drain and fill  $\frac{1}{4}$  tub with water, allow the water to stand for 30 minutes, check for leaks. Tighten the drain and tailpiece is needed.
6. Verify the bathtub is level, install shims (not provided) as needed.



7. Apply a bead of silicone caulking around the perimeter of the tub, clean off excess caulking



## Care and Maintenance for Solid Surface Bathtub

Your new solid surface tub has been factory sealed and polished to a smooth finish, to maintain the surface and keep it looking fresh and new, it is easy to maintain the finish, however there are few do's and don'ts that need to be aware of, please care this tub in accordance with following care and maintenance tips.

### Maintenance Tips:

- (1) If your tub develops minor scratches, they may be removed by scrubbing gently with fine grit sandpaper, a soft brush or non-abrasive sponge and cream cleaner.
- (2) In addition, if the minor scratches remaining after above step or you would like to polish the area in question to its original finish, you may perform following procedure.
  1. Clean the surface with water and make sure no dust remains.
  2. Using water, polish the area starting with 800grit sandpaper then final with 1000 grit sandpaper.
  3. Wipe up remaining wax with clean dry cloth.

### Daily Care:

#### Dos:

- Use warm water to rinse the tub, wipe up water with clean and dry cloth after each use, this will maintain the tub finish and look as new.

#### Don'ts:

- Do not use any abrasive cleaners, cleaners containing acid, alkaline, ammonia or solvents which will cause damage in the surface.
- Do not expose the surface to hair dye or nail varnish as this may cause stains.

Customer Service Phone: 562-229-0088. (Monday - Friday 9 AM - 5 PM Pacific Time)

Or Email: [help@woodbridgebath.com](mailto:help@woodbridgebath.com)