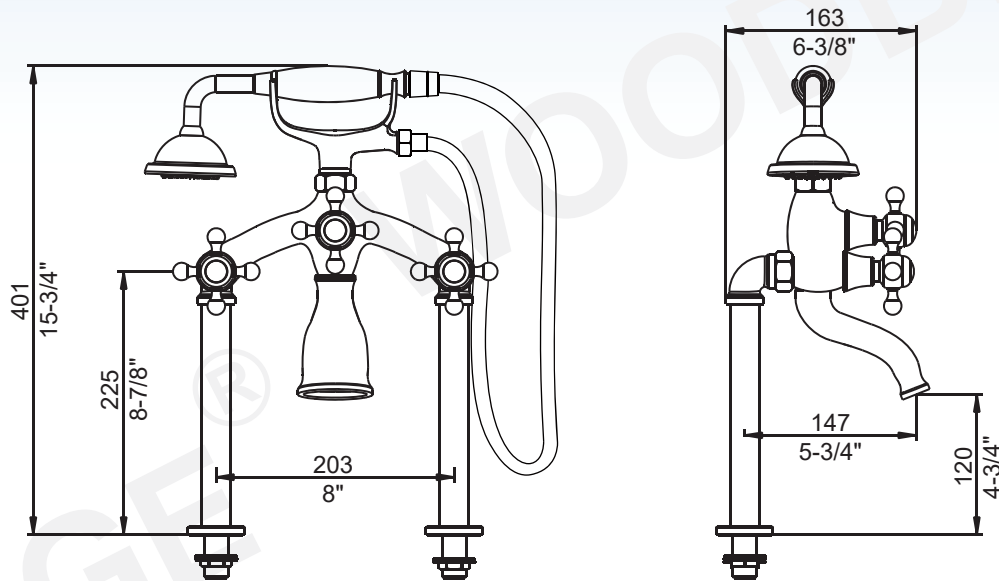
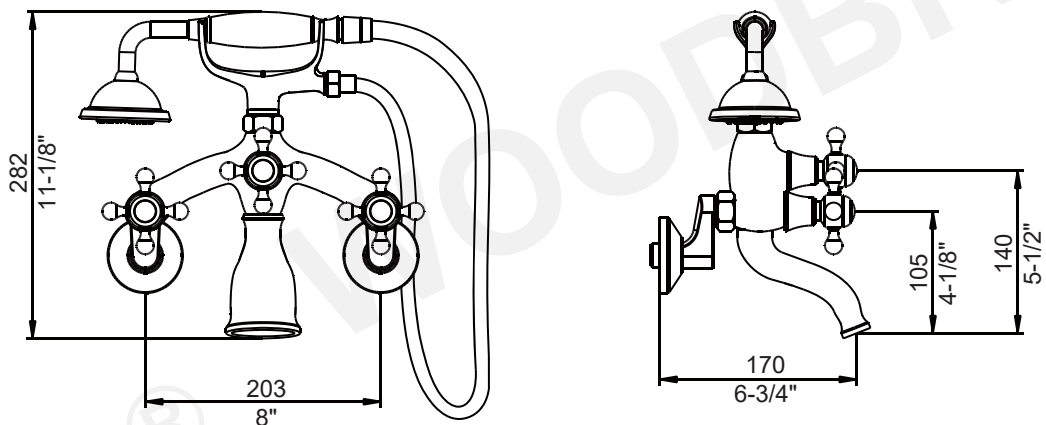


DECK-MOUNT FAUCET



BATHROOM WALL FAUCET



ATTENTION! Dimensions may vary by up to 3/8". It is highly recommended to pull all dimensions of actual model for installation and measuring purposes.

ATTENTION! Measurements in inches are rounded to the nearest 1/8".

TECHNICAL DATA

Minimum flow rate 8.5 GPM at 80 PSI

Max hand shower flow rate 1.8 GPM AT 80 PSI

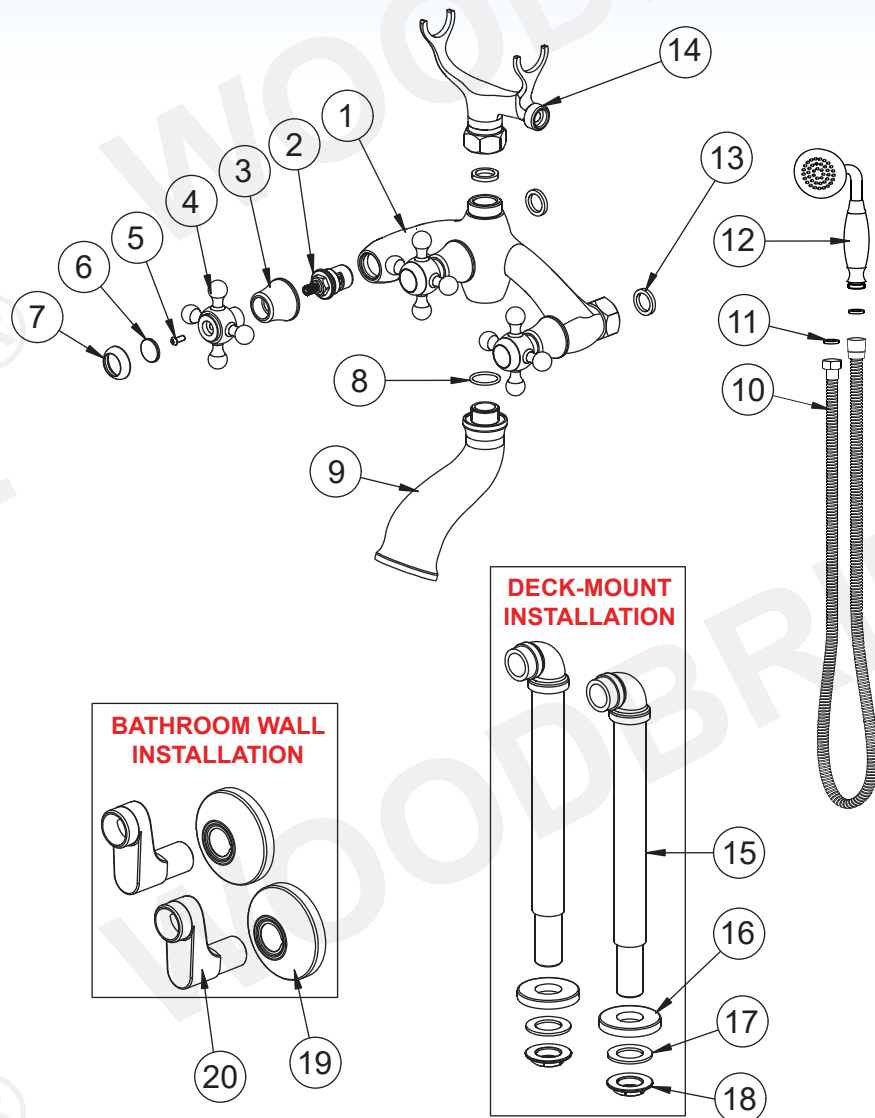


Customer Service Phone: 562-229-0088. (Monday - Friday 9 AM - 5 PM Pacific Time)

Or Email: help@woodbridgebath.com

20211109 REV. 1

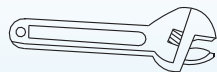
No.	Component
1	Faucet Body
2	Cartridge
3	Handle Base Cap
4	Handle
5	Screw
6	Canopy
7	Index Cap
8	Washer
9	Spout
10	Flexible Hose
11	Washer
12	Spray Head
13	Washer
14	Bracket
15	Take Over
16	Base Ring
17	Washer
18	Lock Nut
19	Cap
20	Offset Connectors



TOOLS REQUIRED FOR INSTALLATION



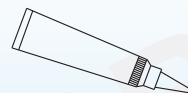
Basin Wrench



Adjustable Wrench



Teflon Tape



Silicone Sealant

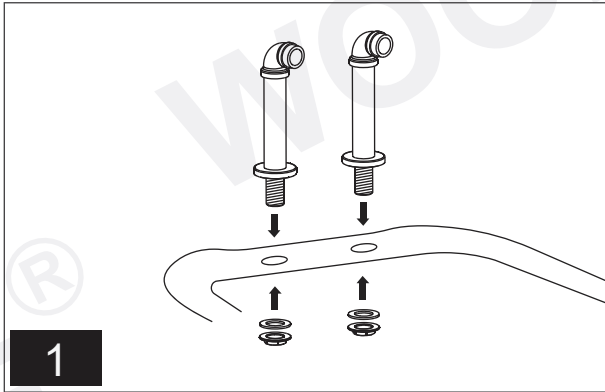


Screwdriver

OTHER TOOLS MAY BE REQUIRED

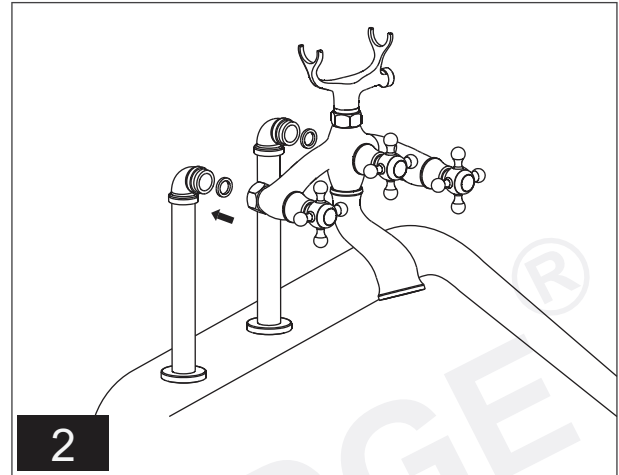
BEFORE BEGINNING INSTALLATION:

1. This faucet should be located away from traffic areas; impact both by foot traffic or floor cleaning equipment may damage the faucet and might cause a leak which result in water damage.
2. Please read this installation instruction throughhly, make sure that you have all the required tools and supplies needed to complete this installation.
3. Shut off both HOT and COLD water valve and main valve before installation.



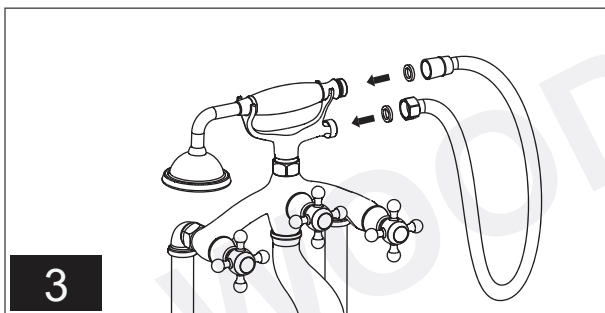
1

Insert each of the deck couplers into their prepared mounting holes. From underneath, slide the metal washer onto each threaded shank, followed by the lock nut. Thread the lock nut onto the shank until hand-tight. Do not fully tighten yet.



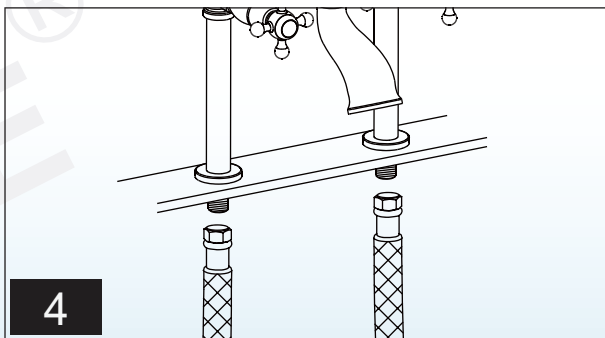
2

Place rubber washers onto faucet body joint and secure faucet body to riser, hand tighten the Joint, use wrench for adjustment. Then finish tightening the lock nuts, securing the faucet to the deck.



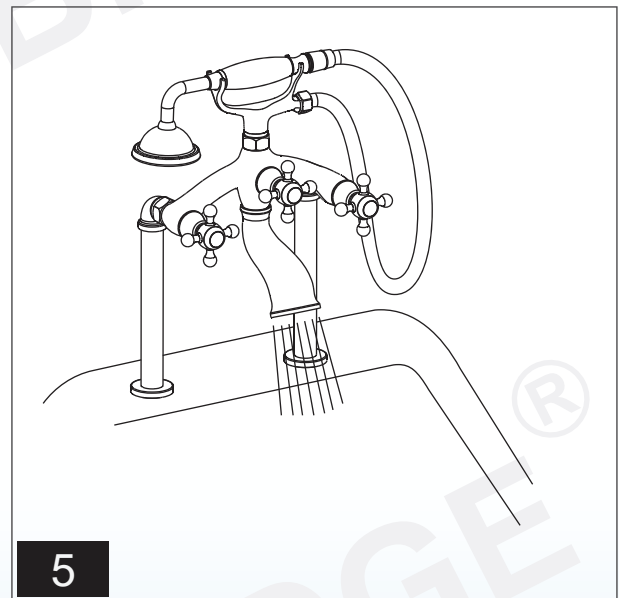
3

Place rubber washers onto both end of the handshower hose and connect one end of the hose to cradle and the other end to the handshower.



4

To complete the installation. connect the water supply lines (not included) to the faucet's inlets.



5

Turn on the both Hot and Cold water valves on the faucet and let the water run for at least one minute to clear any debris from the supply line. Hold hand shower hose and switch the diverter in the middle to hand shower mode and perform the same procedure. Check for any leaks, use wrench to tighten if necessary.

WARNING!!!

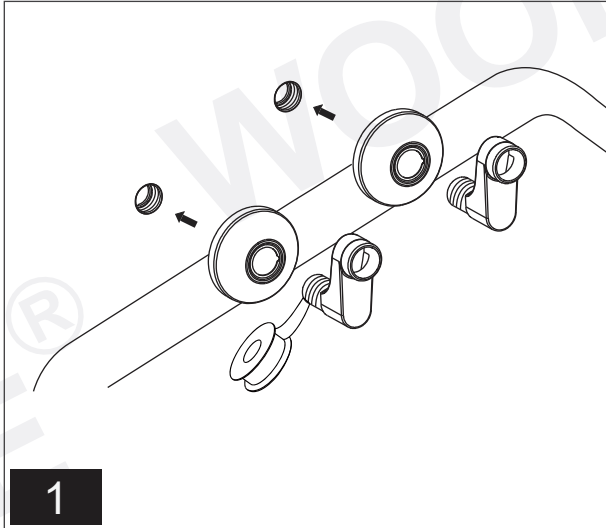
- DO NOT LEAN ON, STEP ON OR USE THIS FAUCET AS A SUPPORT TO GET IN AND GET OUT FROM THE TUB.

WARNING!!!

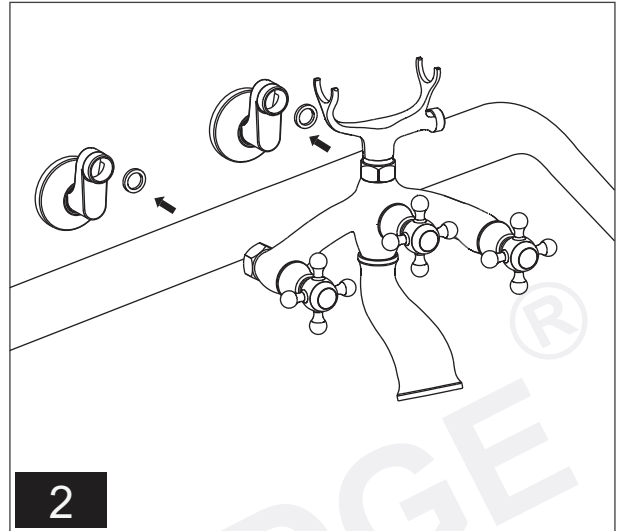
- DO NOT OVERTIGHTEN ALL THE JOINT, IT MIGHT DAMAGE THE THREADS AND CAUSED LEAKS.

BEFORE BEGINNING INSTALLATION:

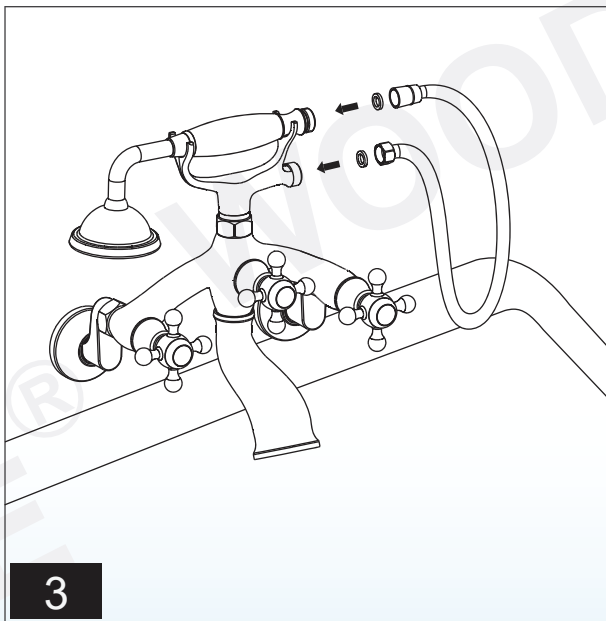
1. This faucet should be located away from traffic areas; impact both by foot traffic or floor cleaning equipment may damage the faucet and might cause a leak which result in water damage.
2. Please read this installation instruction throughhly, make sure that you have all the required tools and supplies needed to complete this installation.
3. Shut off both HOT and COLD water valve and main valve before installation.



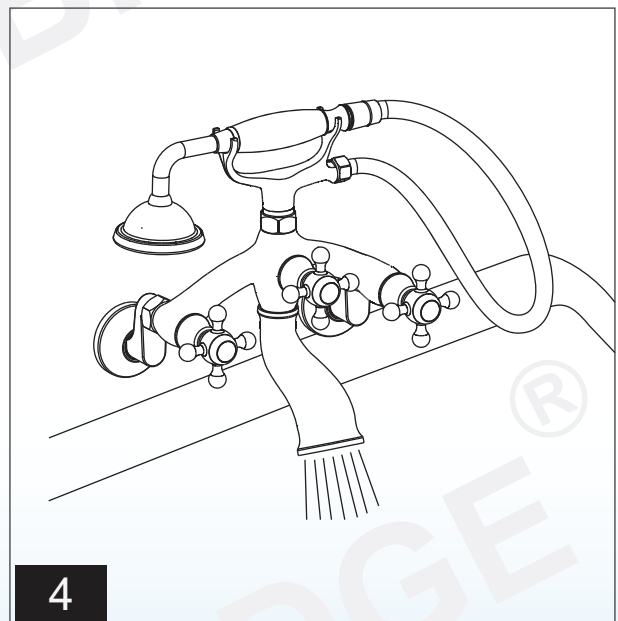
Install the two offset connectors(2) into the hot and cold supply pipes. Use appropriate thread sealants or thread tape on pipe threads. Thread the escutcheons onto the connectors until they are against the finished wall.



Place rubber washers onto faucet body joint and secure faucet body to riser, hand tighten the Joint, use wrench for adjustment.



Place rubber washers onto both end of the handshower hose and connect one end of the hose to cradle and the other end to the handshower.



Turn on the both Hot and Cold water valves on the faucet and let the water run for at least one minute to clear any debris from the supply line. Hold hand shower hose and switch the diverter in the middle to hand shower mode and perform the same procedure. Check for any leaks, use wrench to tighten if necessary.

WARNING!!!

- DO NOT LEAN ON, STEP ON OR USE THIS FAUCET AS A SUPPORT TO GET IN AND GET OUT FROM THE TUB.

WARNING!!!

- DO NOT OVERTIGHTEN ALL THE JOINT, IT MIGHT DAMAGE THE THREADS AND CAUSED LEAKS.