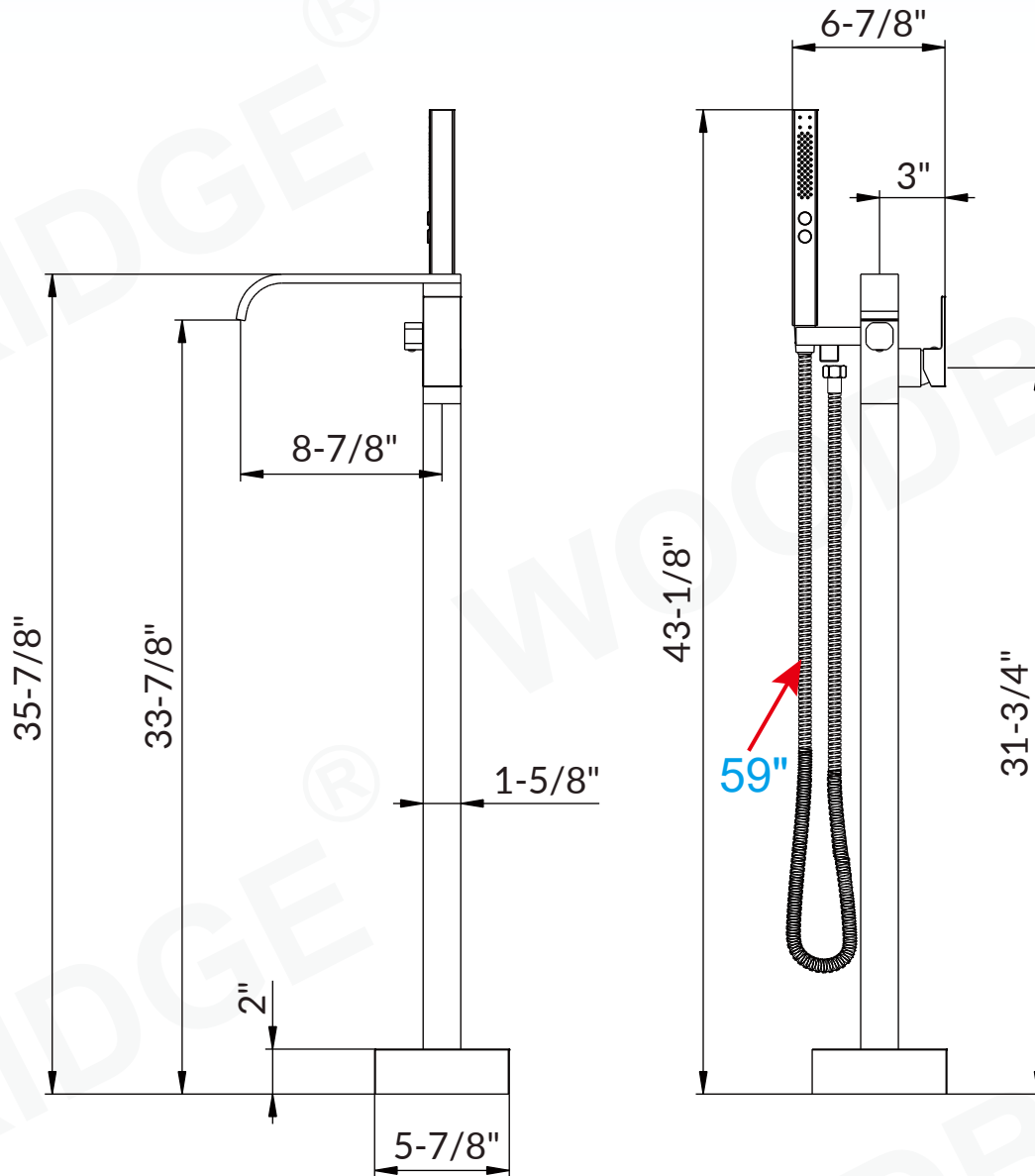


PREPARATION FOR INSTALLATION



ATTENTION! Dimensions may vary by up to 3/8". It is highly recommended to pull all dimensions of actual model for installation and measuring purposes.

ATTENTION! Measurements in inches are rounded to the nearest 1/8".

TECHNICAL DATA

Max flow rate 4.6 GMP at 80 PSI

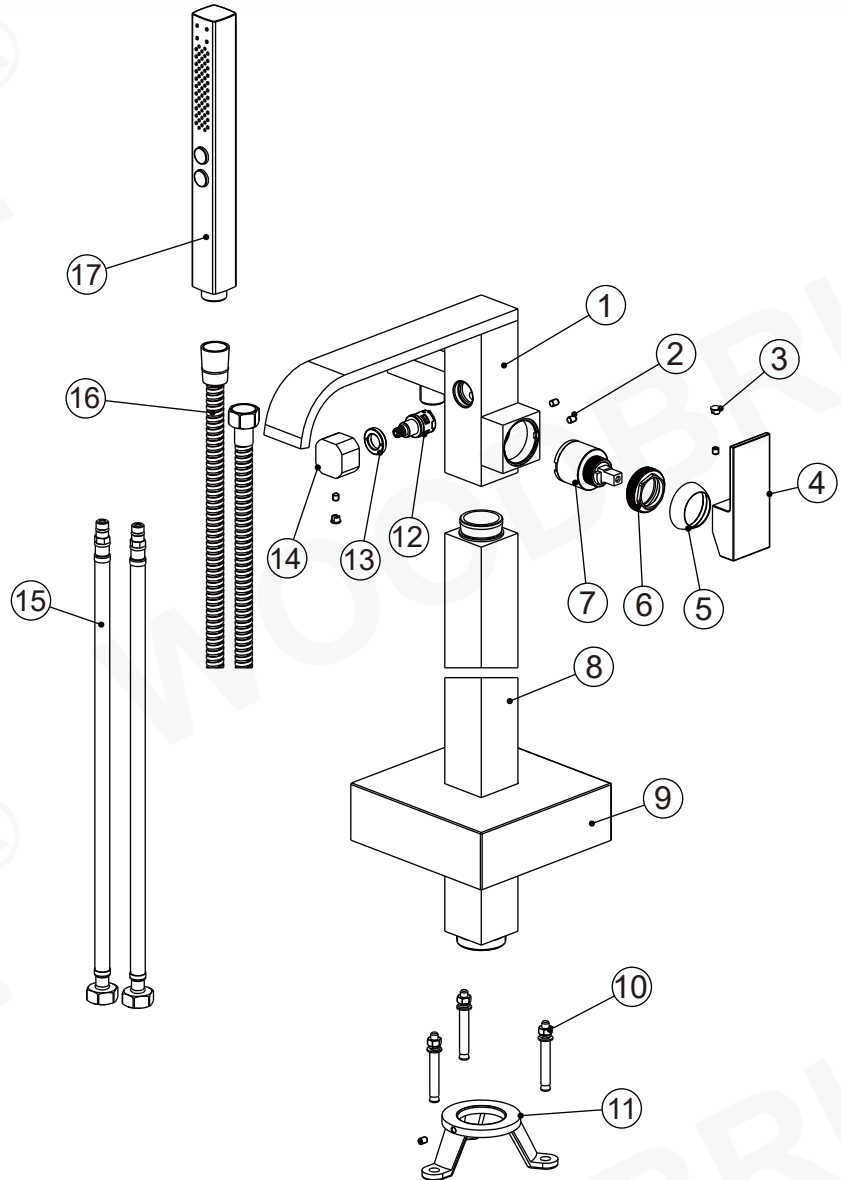
Max hand shower flow rate 1.8 GPM AT 80 PSI

Customer Service Phone: 562-229-0088. (Monday - Friday 9 AM - 5 PM Pacific Time)

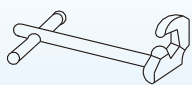
Or Email: help@woodbridgebath.com

PARTS & COMPONENTS

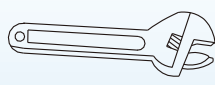
| No | Component |
|----|--------------------------------|
| 1 | Body |
| 2 | Screw |
| 3 | Canopy |
| 4 | Handle |
| 5 | Cap |
| 6 | Lock Nut |
| 7 | Cartridge |
| 8 | Take Over |
| 9 | Base Cover |
| 10 | Screw |
| 11 | Triangle Plank |
| 12 | Diverter Cartridge |
| 13 | Lock Nut |
| 14 | Diverter Handle |
| 15 | Hot and Cold Water Supply Line |
| 16 | Shower Hose |
| 17 | Hand Shower |



TOOLS REQUIRED FOR INSTALLATION



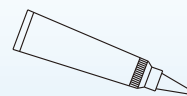
Basin Wrench



Adjustable Wrench



Teflon Tape



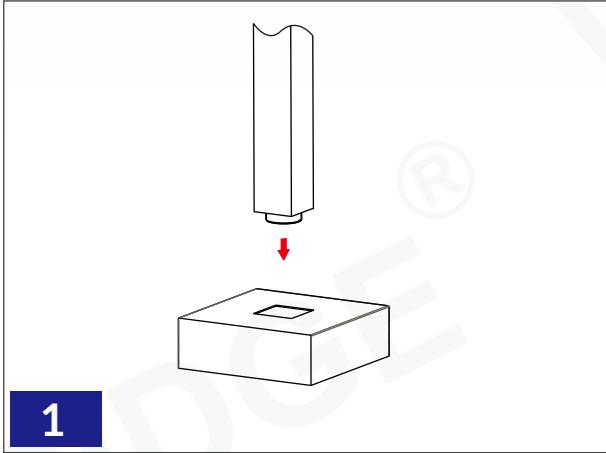
Silicone Sealant



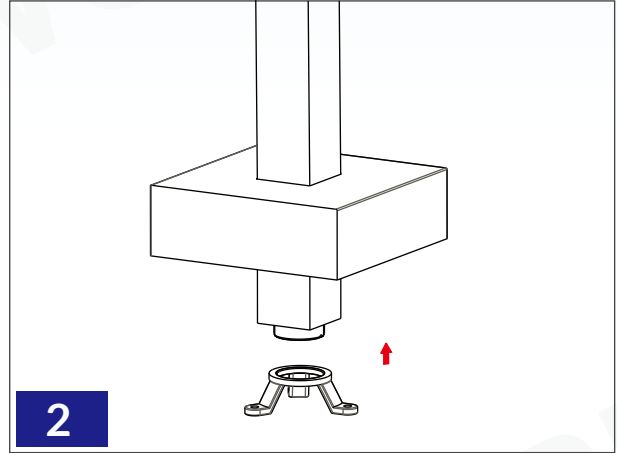
Screwdriver

OTHER TOOLS MAY BE REQUIRED

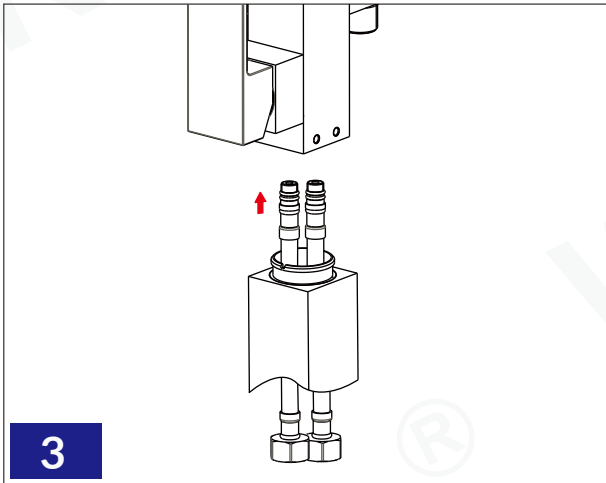
INSTALLATION INSTRUCTIONS



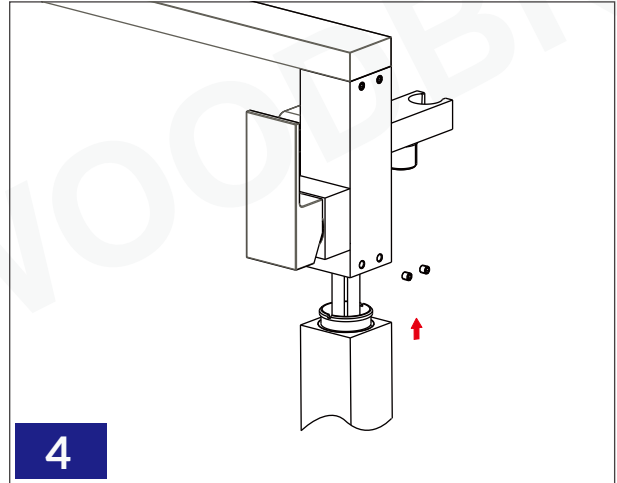
Put the base cover over the take over.



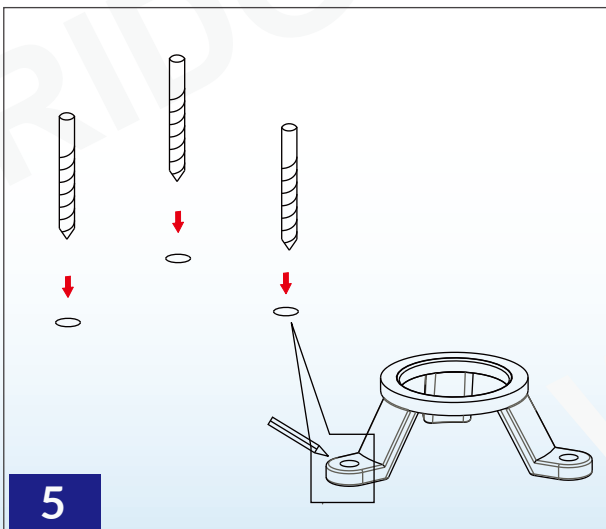
Screw the the take over to the Trangle Plank.



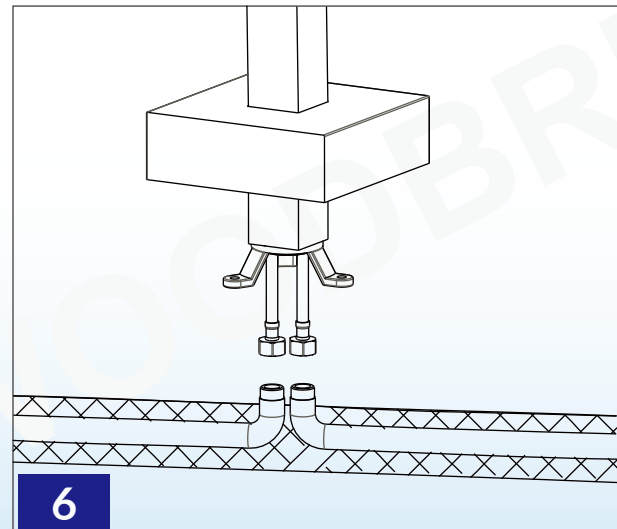
Install the Hot and Cold Water Supply Line now and ensure the Hot and Cold Water Supply Line are hand tightened into place. (DO NOT USE SPANNER TO TIGHTEN AS IT CAN DAMAGE THE O-RING). The Hot and Cold Water Supply Line are to be fitted into the correct inlets for hot water and for cold water.



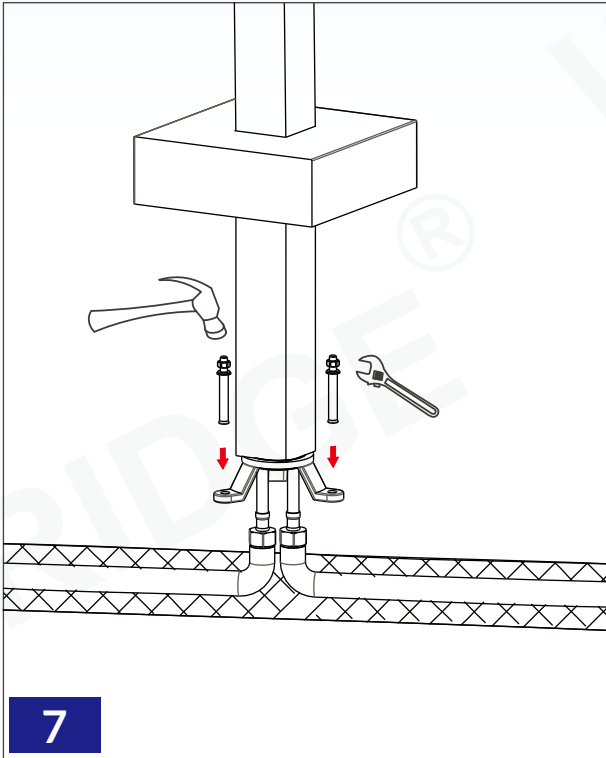
Fix the faucet body to the take over.



Fix the screw position

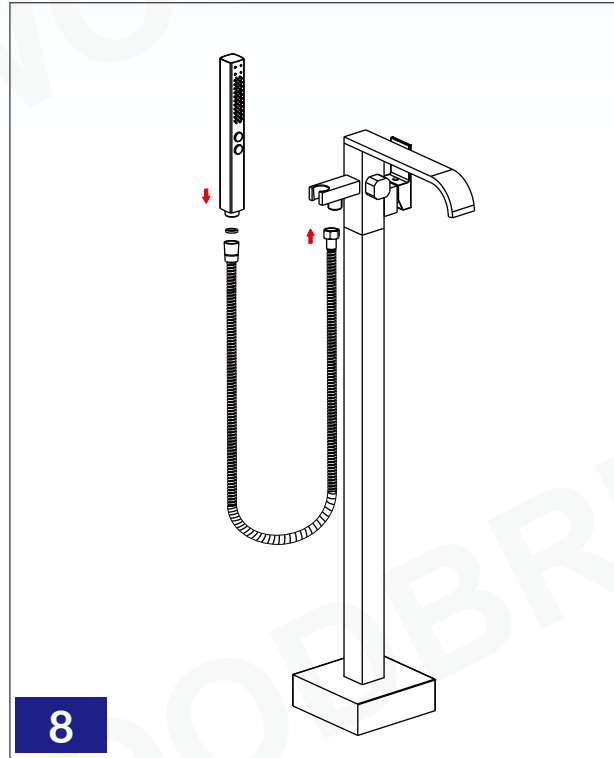


Connect another side of the Hot and Cold Water Supply Line to the water supply pipe. Make sure they are to be fitted into the correct outlets for hot water and cold water.



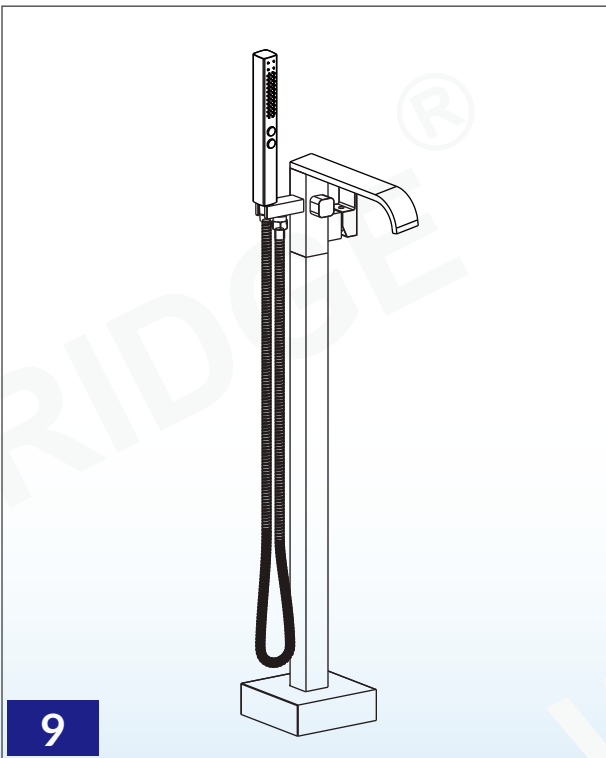
7

Use the explosion screw to fix the base on the ground, and put the base cover over the Triangle Plank.



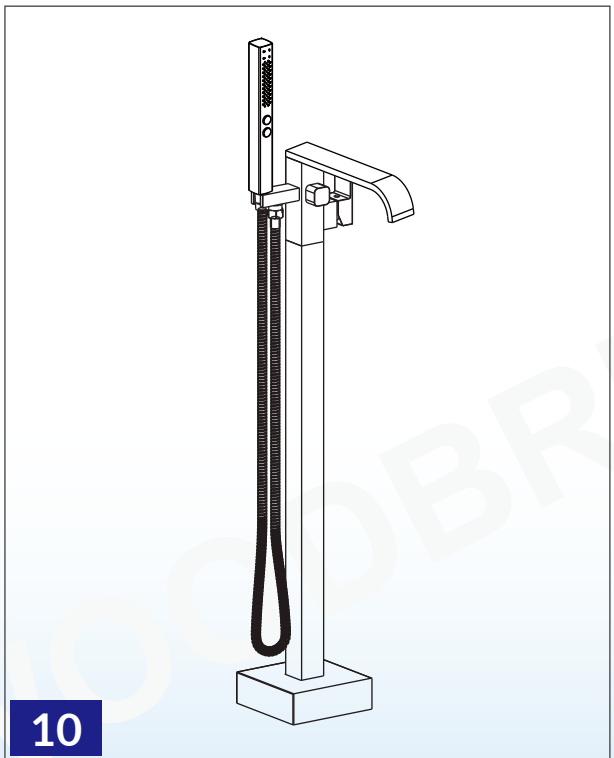
8

Connect the shower hose and hand shower.



9

The installation is completed.



10

After installation is complete, remove Spray head and rotate handle to the close position. Turn Water Supply Valves on, and check all connections for leak. Flush faucet by running hot and cold water in full position for one minute. Re tighten the Spray.