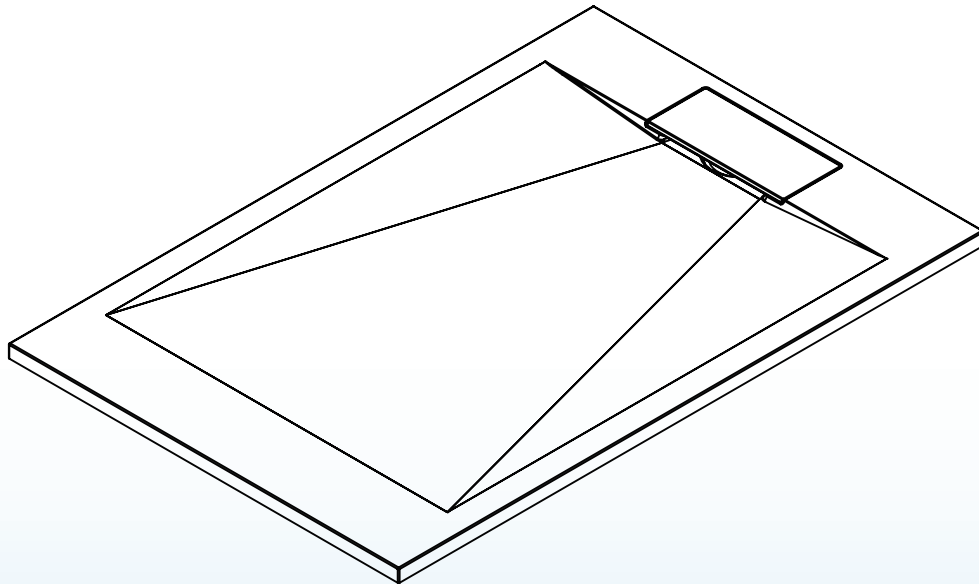
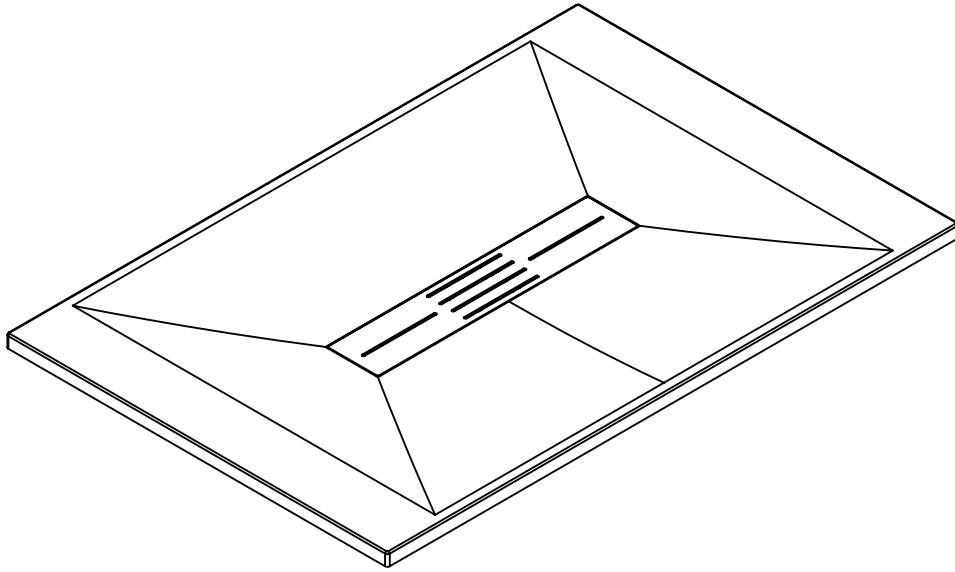


WOODBIDGE[®]

Installation Instructions

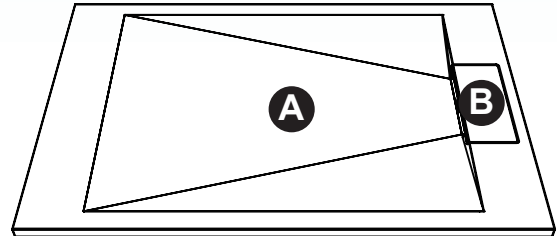
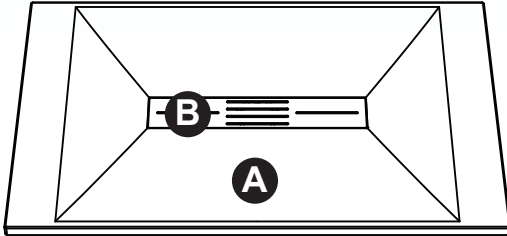
**SMC SLATE STONE
SHOWER BASE**



Customer Service Phone: 562-229-0088. (Monday - Friday 9 AM - 5 PM Pacific Time) Or Email: help@woodbridgebath.com

PACKAGE CONTENTS

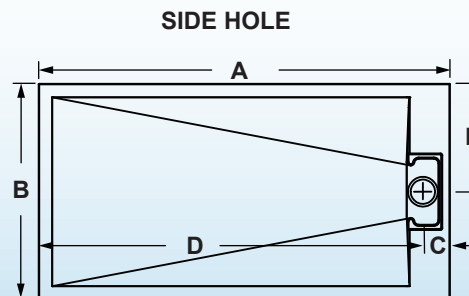
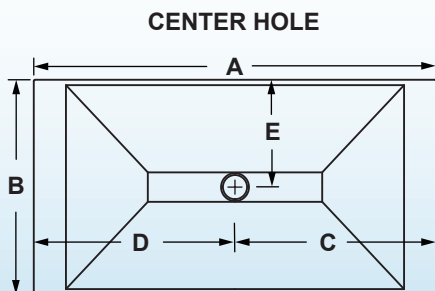
PART	DESCRIPTION	QUANTITY
A	Solid Surface Shower Base	1
B	Stainless Steel Drain Cover	1



SHOWER FLOOR & DRAIN OPENING - CONSTRUCTION DIMENSIONS

ITEM:	Nominal Sz.	Dim. A	Dim. B	Dim. C	Dim. D	Dim. E
SCS4832	48" x 32"	48"	32"	24"	24"	16"
SCS6032	60" x 32"	60"	32"	30"	30"	16"
SCS4836	48" x 36"	48"	36"	24"	24"	18"
SCS6036	60" x 36"	60"	36"	30"	30"	18"
SUS4832	48" x 32"	48"	32"	4"	44"	16"
SUS6032	60" x 32"	60"	32"	4"	56"	16"
SUS4836	48" x 36"	48"	36"	4"	44"	18"
SUS6036	60" x 36"	60"	36"	4"	56"	18"

We can not anticipate every possible installation situation or condition. The variety of installations possible for this shower floor may require procedures other than those shown. Plan ahead to ensure that wall framework construction is correctly sized, plumb, and square.



*Measurements are $\pm 1/8"$ and subject to change without notice

* Make sure the drain hole in the subfloor or slab is large enough (6" diameter recommended) and aligns with the hole in the shower floor.

SAFETY INFORMATION

Please read and understand this manual before attempting to install the product.

WARNING

• DO NOT proceed if any question or concern of performing anything found in this manual. If necessary, hire or consult a certified plumber or licensed general contractor to install for you.

CAUTION

Carefully open the box with safety knife to prevent any damage to the base surface.

PREPARATION

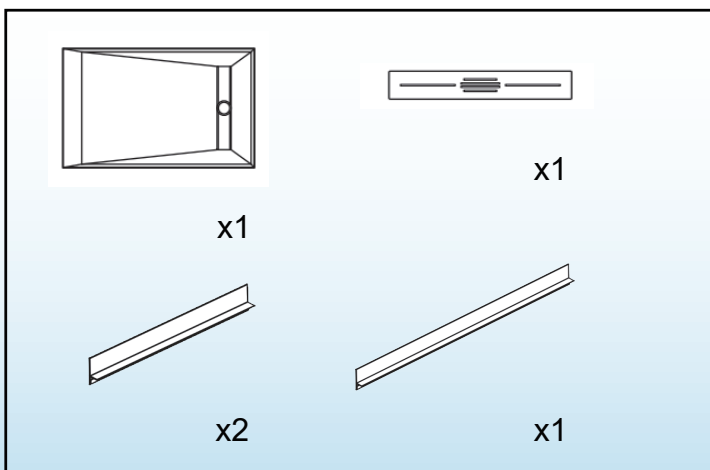
Estimated Installation Time: 60 minutes

Tools Required for Assembly (not included): Level, Shims, Drain Fitting, Silicone/ Plumber's Putty, Wrench, 5 Gallon Empty Bucket, Thin Set Mortar & Water, 1/4" - 1/2" Grooved Trowel.

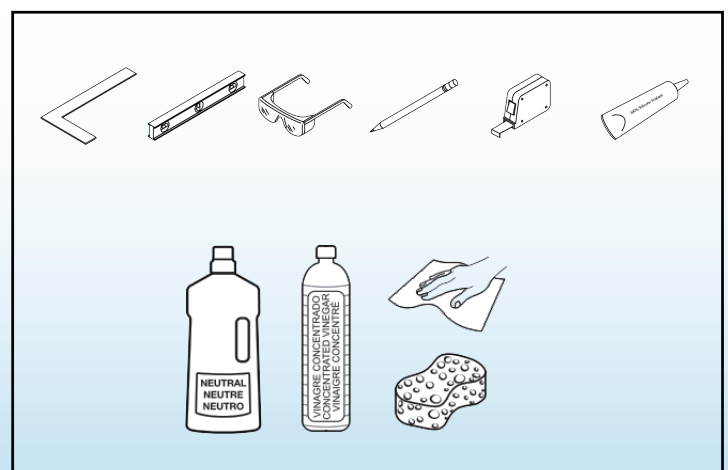
The stud preparation is critical for shower base installation. It is essential the stud pocket be constructed square and plumb according to the roughing in information provided.

1. Please inspect the shower base for breakage and report any damage to the seller not to manufacturer. Allow the shower base to acclimate to room temperature before installing.
2. Clean and scrape the floor of the shower base alcove. This space must be free of any debris in order to get a proper adhesion with the thinset mortar.
3. Measure the size of the alcove to ensure that the base and panels fit properly.
4. Trial fit the base in the alcove and make sure that the drain location lines up properly with the shower base. Placing a level on the base, check that the base sits level on the floor. If needed, use shims to level the base in the alcove.

Shower base and Accessories

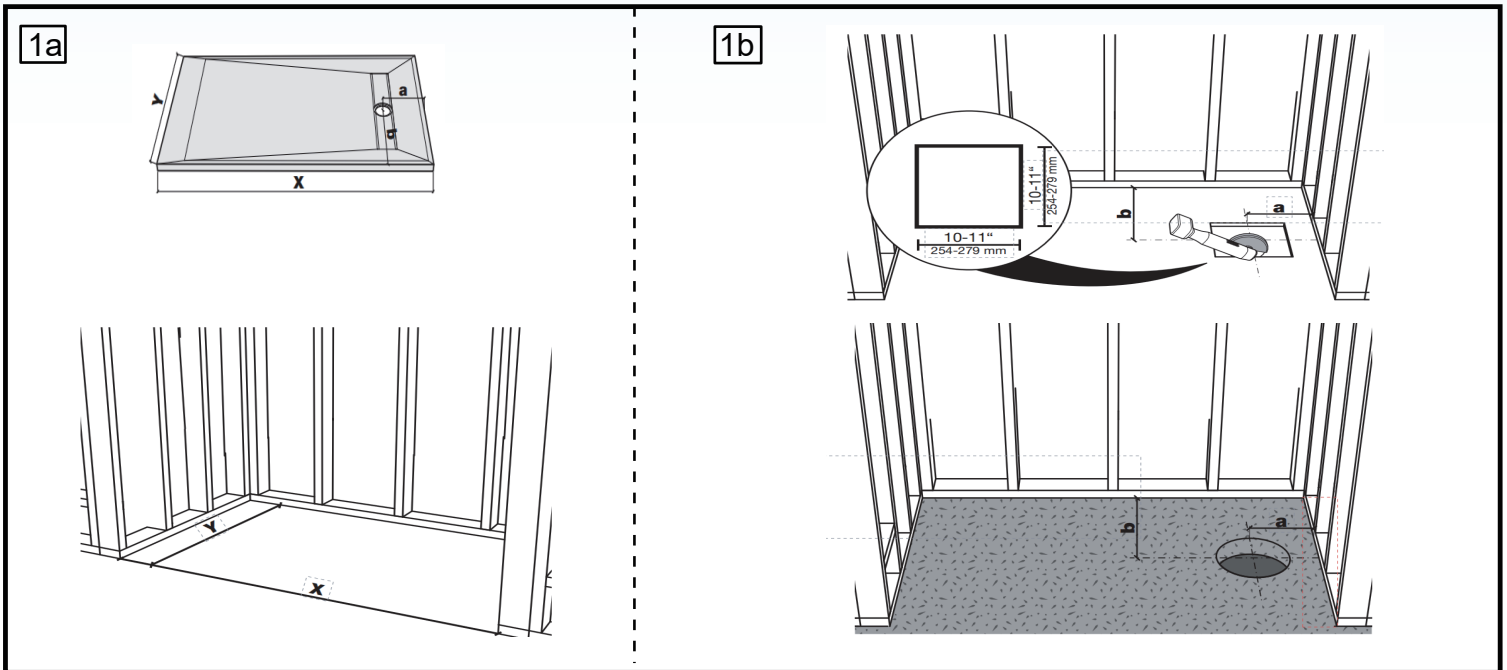


Tools and Materials

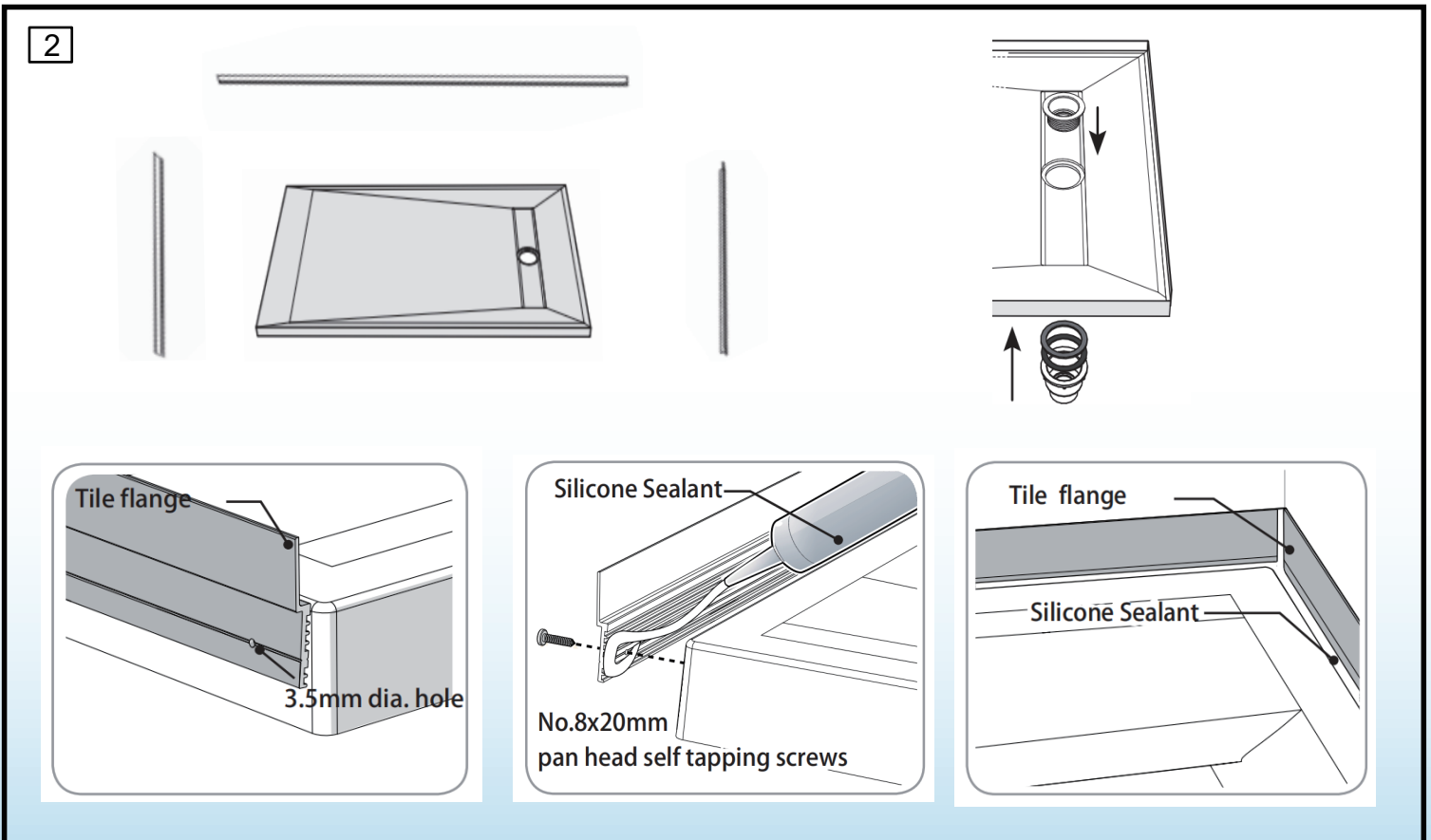


INSTALLING THE SHOWER BASE

1. The floor surface must be properly levelled before starting the installation process. Install the drain fitting into the shower base. PVC cement or silicone are acceptable to use with the drain.

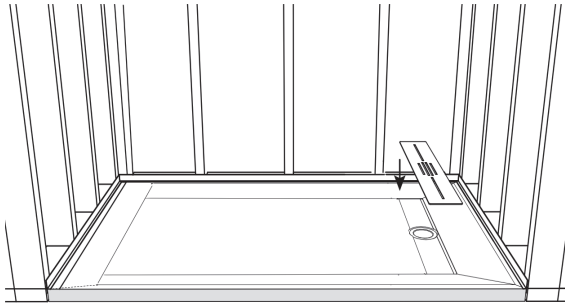
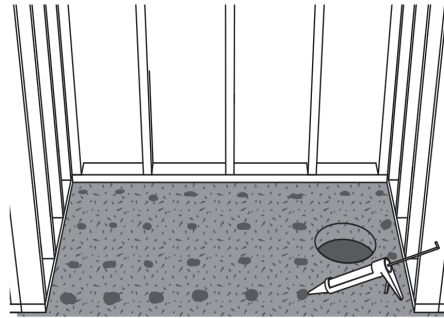
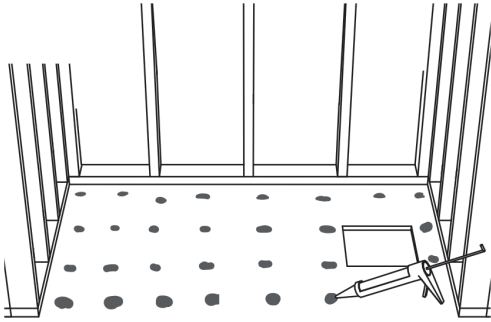


2. Place tile flange against tray wall edges, ensure that upstand has angled ribbed face against tray wall and is flush with top of shower base edge and is correctly positioned at corner before marking off fixing holes. Apply silicone sealant to tiling upstand before affixing to shower base with No. 8 x 20mm (3/4") pan head self tapping screws. Fit other tile flange in the same way, ensuring that it is level with previously installed upstand at corner. Cavities caused by radius on shower base edge and corner must be silicone sealed.



3. Mix and apply thin-set mortar to the floor, using the notched trowel. Spread the mixture to achieve a depth necessary to fill the voids in the floor and enable the shower base to sit level. A 50 lb. bag of thin-set should provide at least 45-50 square feet of coverage. All supporting points should have contact with the thin-set mortar. Before proceeding to install the wall system, flood test the shower base for proper drainage.

3



Allow the shower base to cure for 24 hours before working in the area.

CARE AND MAINTENANCE

Simply wipe the surface with a damp towel to remove watermarks and stains. For basic stains, clean with mild detergent or general purpose cleaner. For corners and seams cleaning, spray with mildew cleaner.

WARRANTY

Lifetime warranty on glass components and one (1) Year limited on other hardware.