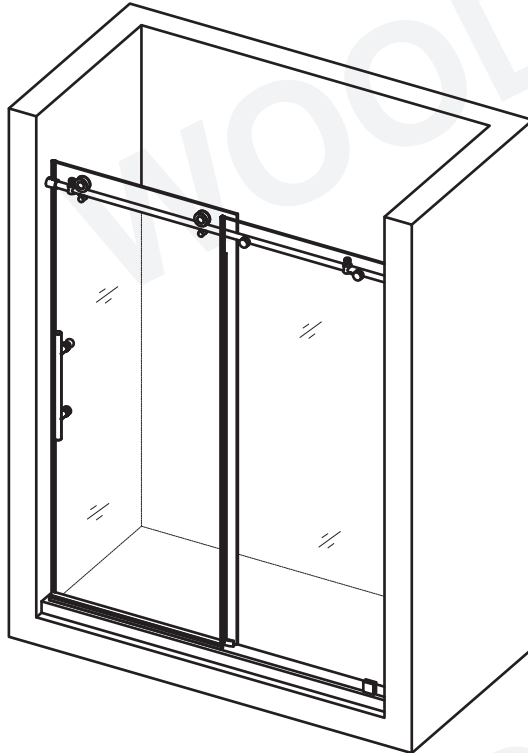


INSTALLATION MANUAL

WOODBIDGE[®] SHOWER DOOR



SHOWER DOORS: BSDC6076

IMPORTANT!

WOODBIDGE reserves the right to alter, modify or redesign products at any time without prior notice for the purpose of product improvement and customer experience. Please refer to WWW.WOODBRIDGEBATH.COM for the latest product details.

Questions?

Please Call Customer Support: 562-229-0088. (Monday - Friday 9 AM - 5 PM Pacific Time)
Or Email: help@woodbridgebath.com

IMPORTANT

- WoodBridge reserves the right to alter, modify, or redesign products at any time without prior notice for product improvement or functionality.
- Professional installation required. This product should be installed by someone experienced with the construction requirements for this type of project, the care necessary to responsibly and safely install, and familiarity with glass installation.
- The safety of all installations is the responsibility of the installer who should be licensed and bonded.
- To prevent breakage and injury, do not attempt to lift, move, or install the glass alone. Use an assist and suction cups intended for heavy glass when applicable.
- To prevent breakage and injury, do not lean or push against glass panels.
- The installation of this model requires drilling into the dam/curb/threshold to properly affix the clip, guide, and threshold. Contact the manufacturer of your base, or tub with any questions regarding drilling into their product, or consult your installation professional.
- This model requires minimum 3" dam/curb/threshold width to complete installation.
- Drawings included in this manual are illustrative only and do not reflect actual scale.
- No out of plumb adjustment.
- Glass cannot be installed if the overall width of the shower opening is greater than the width as described for the product.

WARNING FOR TEMPERED GLASS: TO AVOID RISK OF DAMAGE OR INJURY

- Tempered safety glass is designed that when broken, will shatter into thousands of tiny pieces, greatly reducing the chance of great bodily harm.
- Follow all requirements and recommendations in the instruction manual.
- Perform a thorough inspection of the glass and hardware for any damage prior to installation.
- Do not install damaged glass.
- Do not install or operate if glass panels have chipped corners, slivered edges, or any other visual defect. If damage is found contact WoodBridge immediately. If installed in this state WoodBridge is not responsible for any breakage.
- Do not install glass panels that have been dropped on, or bumped into any surface harder than itself.
- Improper handling may cause breakage.

While incredibly resistant to direct impact, corners and edges are the most susceptible to damage, causing breakage. These edges should be protected and handled with care, never allowed to come into contact with any material harder than itself, such as tile, stone, metal, or even other glass. A concentrated point of impact or contact with such material can cause the glass to shatter. Tempered glass may release all at once, or partially, releasing hours or even days later with vibration and normal use.

- Incorrect installation of the hardware, rollers, stoppers, or glass may cause breakage.

Improper installation would include loose hardware, or lack of gaskets between hardware and glass. Installing out of level or plumb causing extra stress could

- **Improper use of the product.**

Do not place towels or anything else over guide rail. Aggressively opening or closing the slider may cause trauma to the glass which could lead to breakage.

- **Do not attempt to cut tempered glass.**
- **Always wear safety equipment such as goggles, work gloves, proper footwear etc... during installation.**
- **Instruct homeowner on how to conduct periodic inspections and how to properly maintain the glass and all hardware.**
- **Consideration should be given when installing tempered glass products in households with young children or elderly.**

PREPARATION

- **Thoroughly read the instructions before installing or using the product.**
- **After boxes and packages are open, before installation, check that all items from the parts list are there by marking each one off the list.**
- **Examine the glass and parts for defects or damage.**
- **Please note that Woodbridge will not replace any missing or damaged items free of charge after 5 business days or if the product has been installed.**
- **Building codes vary by location and you should refer to your local building codes when installing. WoodBridge is not responsible for code compliance and will not accept returns on that basis.**
- **Prior to installation ensure that all surfaces are smooth and even. Ensure the dam/curb/threshold is level side to side and that it has slope/fall in the direction of the shower pan. Ensure the walls are plumb and the opening measures the same top and bottom. Ensure that the installation surface is solid and able to support the weight of the doors.**
- **Please note that irregular installation surface, round lower corners, or out of plumb walls will result in serious problems for your installation.**
- **Some adjustments and drilling/screwing will be necessary throughout installation.**
- **Woodbridge shower doors are not designed to be installed on fiber glass surrounds that have round lower corners or lack of solid mounting surface.**
- **Glass must never be set down directly on any hard surface. Always use pieces of wood or thick cardboard to protect lower edge at all times. Leave corner protectors in place until it is time to remove them**

Important Note

Attention:

These Woodbridge shower doors include **SHATTER-SAFE** protective film on the side of the glass without the certification information printed on it, see the fig 1 & 2.

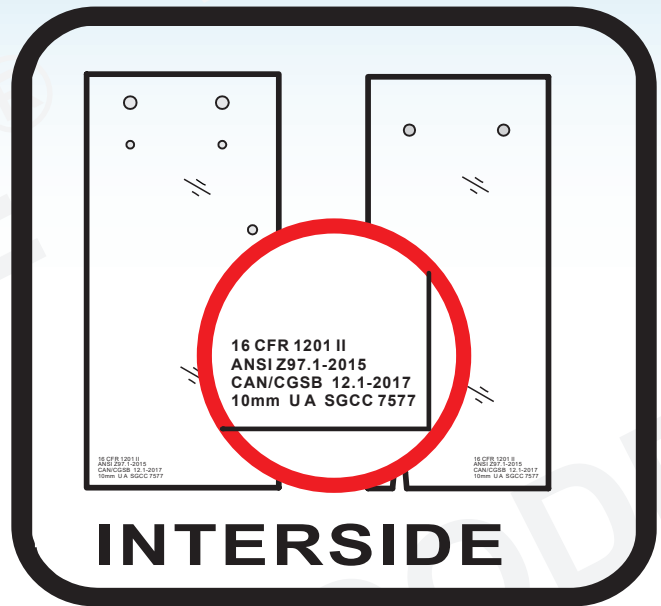


Fig 1

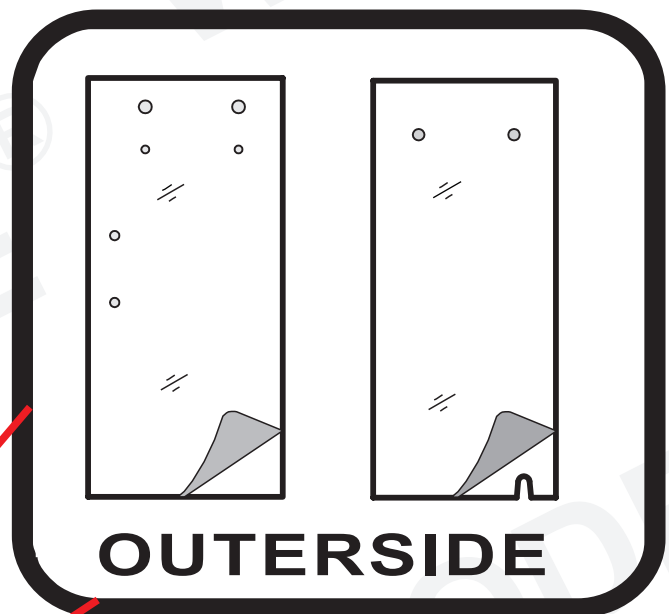
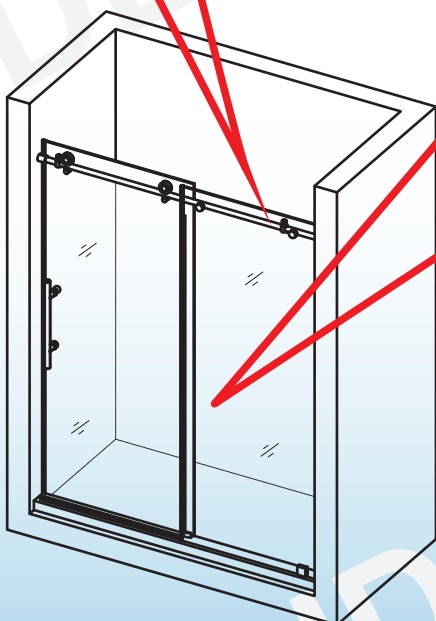
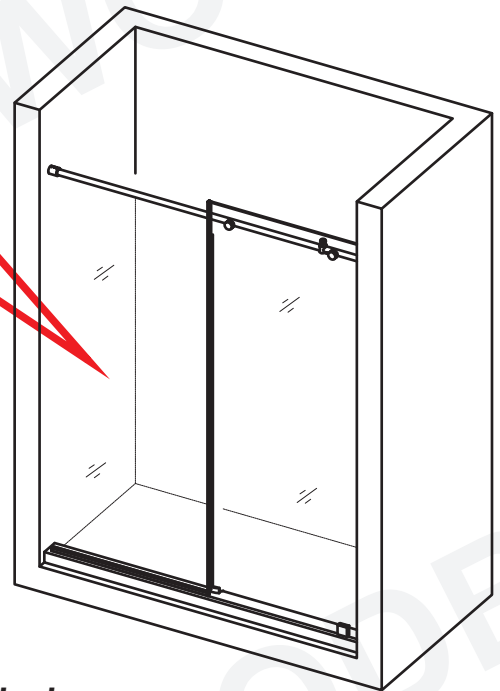
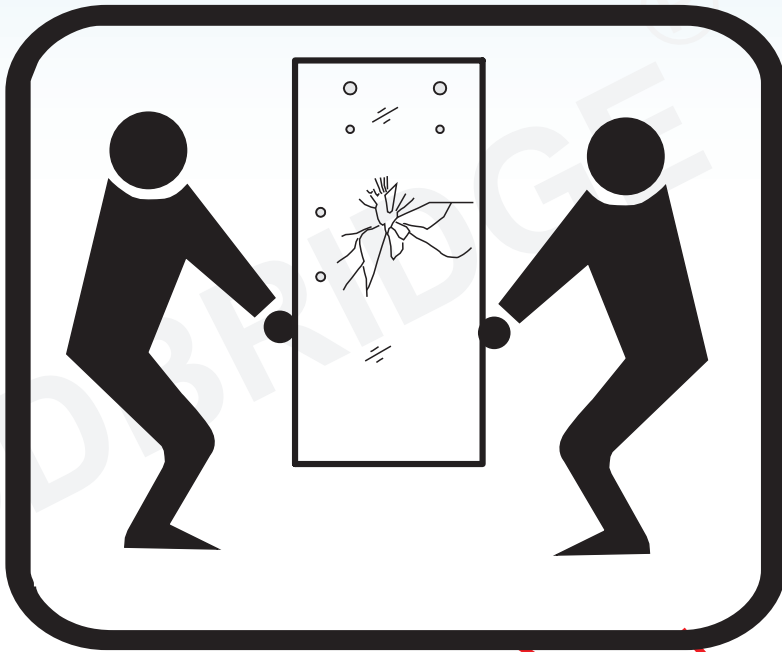


Fig 2

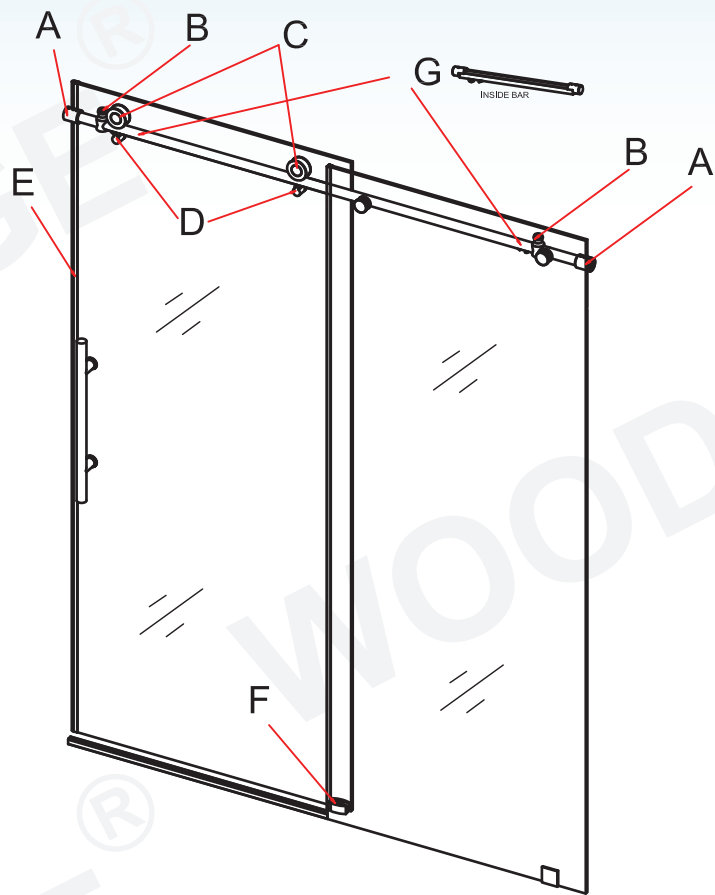


SHATTER-SAFE protective film helps to hold glass in place in the event of breakage. Allowing the panel to be carefully removed by a professional at a later date.



In the event of breakage please follow the steps below.

- 1. If someone is inside the shower, move the panel slowly out of the way and exit the bathroom as soon as possible. Do not allow anyone to re-enter bathroom until prepared to remove and dispose of broken panel.***
- 2. Utilize safety precautions such as a hard-hat, safety glasses, leather gloves, proper footwear and moving blankets to minimize risk of injury.***
- 3. It is recommended that two people assist in the removal of the panel. One person to hold panel steady, and the other to un-install the hardware. Then carefully remove glass from shower and lay flat on cardboard or plywood until it can be removed. Once laying flat a razor knife or box cutter can be utilized to cut the film and remove in smaller pieces.***



IMPORTANT INFORMATION REGARDING THE INSTALLATION OF THIS SHOWER DOOR

A. Guide Rail Brackets must be firmly attached to the wall. Installation into a stud is strongly recommended. All of the guide rail bracket set screws must be accessible and tightened.

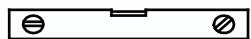
B. Thread Lock must be applied to the set screws in both stoppers. Door-side stopper must be installed at the proper position to prevent the door from contacting the wall.

C. Roller Wheel Assembly safety set screws: must be accessible and must be retightened with Thread Lock during installation.

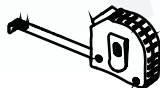
D. Bulb Vinyl Seal must be installed on the closing edge of the Glass Door from contacting the wall.

D. The Guide Block must be screwed to the threshold and installed square with the Stationary Glass and Glass Door. Installing the guide block crooked may damage the bottom edge of the Glass Door and lead to breakage.

Tools



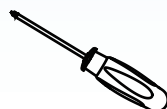
Level



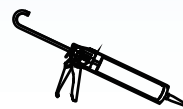
Tape Measure



Pencil



Phillips Screwdriver



Silicone



Power Drill



Drill Bit
Ø1/8"
(3mm)



Drill Bit
Ø3/16"
(4mm)



Drill Bit
Ø1/4"
(6mm)



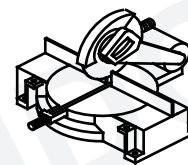
Drill Bit
Ø5/16"
(8mm)



Drill Bit
Ø3/8"
(10mm)



Soft Head Hammer



Miter saw



Safety Glasses



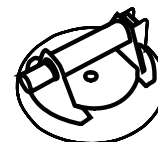
Work Gloves



Hacksaw



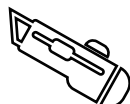
#3 Phillips Driver Bit



Professional-grade Glass suction cup



Painter's Tape



Razor Knife



Extender Driver Bit



Soft Cloth or Blanket



Soft Wood Shim

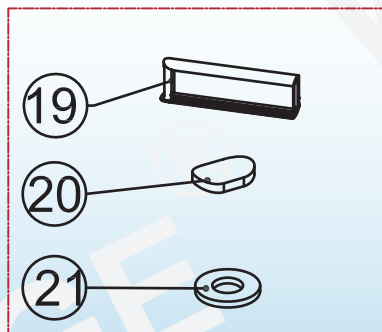
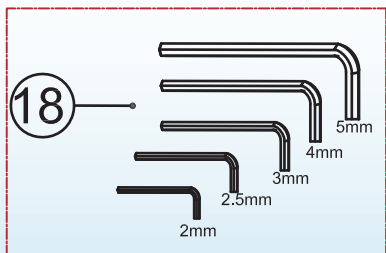
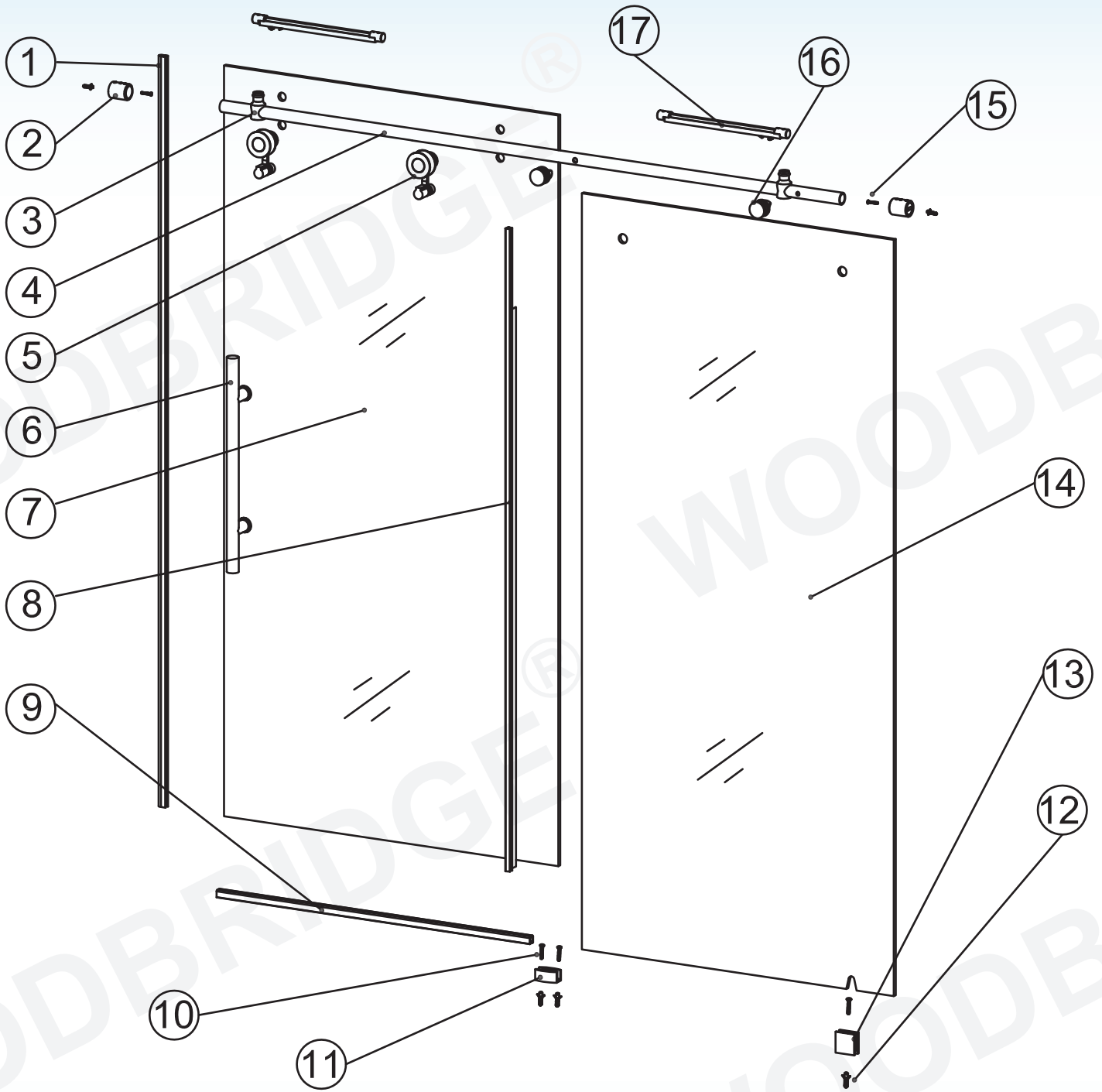


INSTRUCTIONS THAT, IF IGNORED COULD RESULT IN SERIOUS INJURY OR DEATH CAUSED BY INCORRECT HANDLING OR INSTALLATION OF THE PRODUCT. THESE INSTRUCTIONS MUST BE OBSERVED FOR SAFE INSTALLATION!

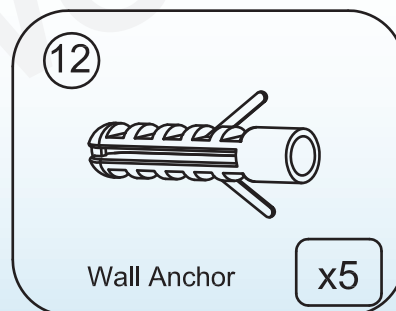
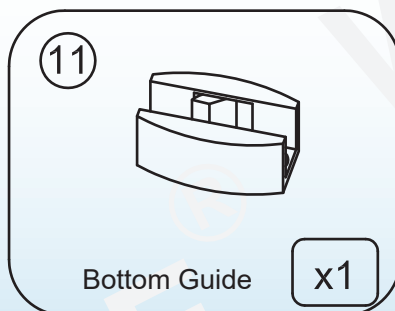
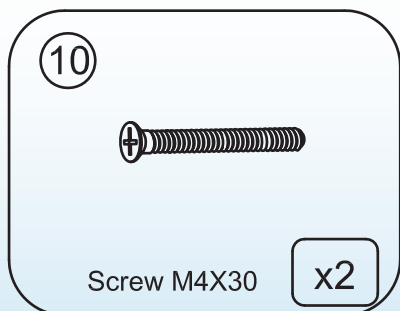
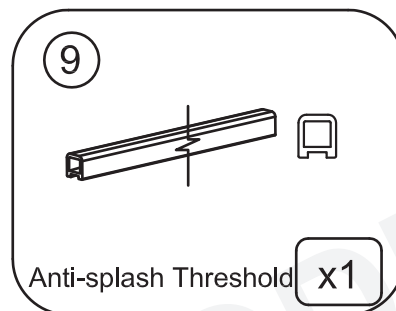
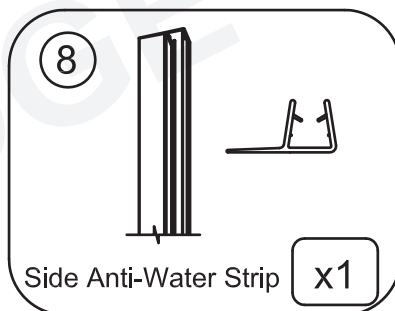
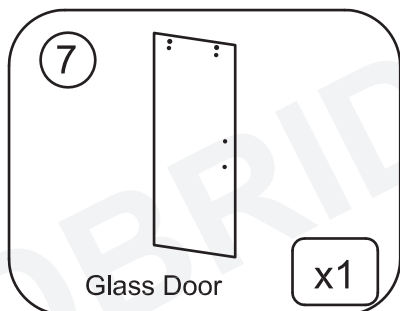
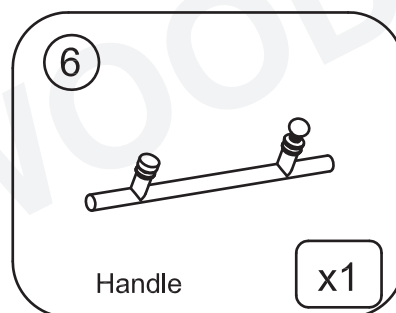
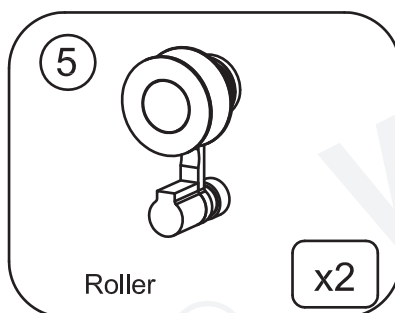
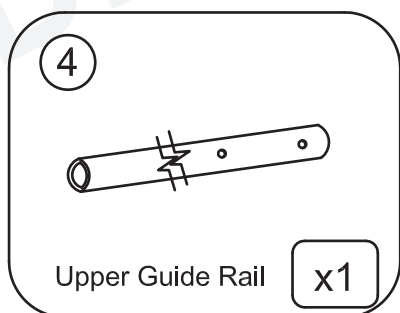
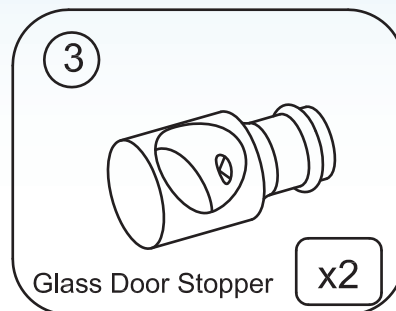
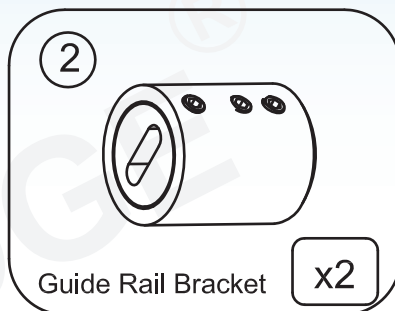
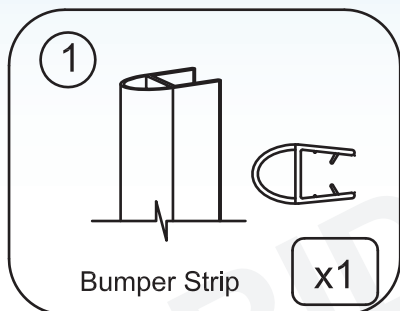
LICENSED AND INSURED PROFESSIONAL CONTRACTOR IS REQUIRED TO INSTALL THIS PRODUCT INCLUDING ASSISTANCE OF A SECOND PERSON DURING INSTALLATION

No modifications to the product are allowed. Modifications of any types to the product will result in serious injuries or may cause

IMPORTANT: Do not install the handle on to the glass door until the instruction tells you to do so. Never lift the glass using the handle. Failure to do so will result in serious personal injury and could cause damages to the glass. Professional graded glass suction cups are highly recommended while handling extremely heavy glass. This product must be installed on a finished threshold and against finished walls only. This product is intended for residential use only.



Parts List



Parts List

13



Bottom Clamp

x1

14



Stationary Glass

x1

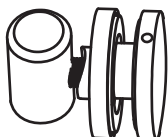
15



Screw M5X60

x2

16



Glass Bracket

x2

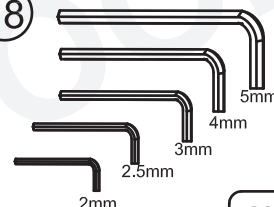
17



Soft Close System

x2

18



Allen Key

x1
Set

19



Gasket Cap

x1

20



Hole Filler

x2

21



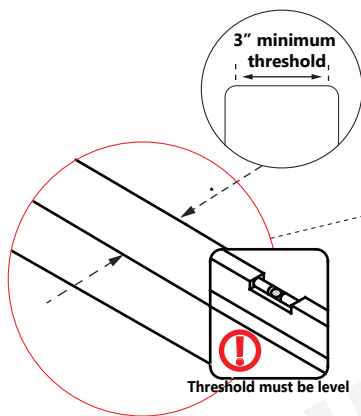
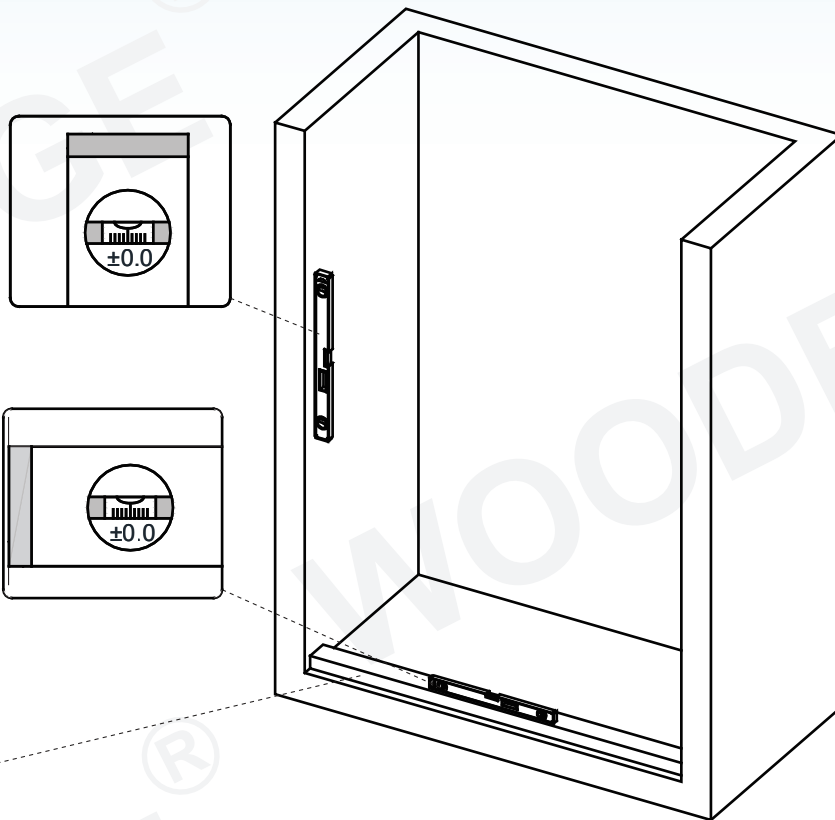
Soft Close Gasket

x4

Model Specific Preparation

No Out-of-Plumb Adjustment; Verify threshold and walls with a level

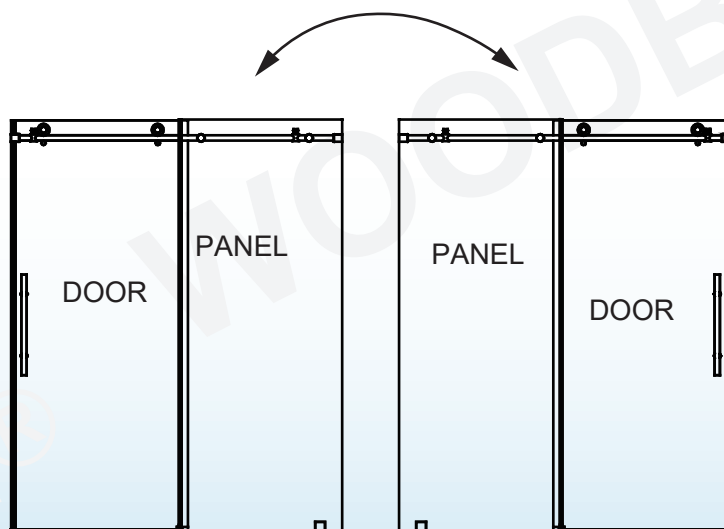
Threshold must be level

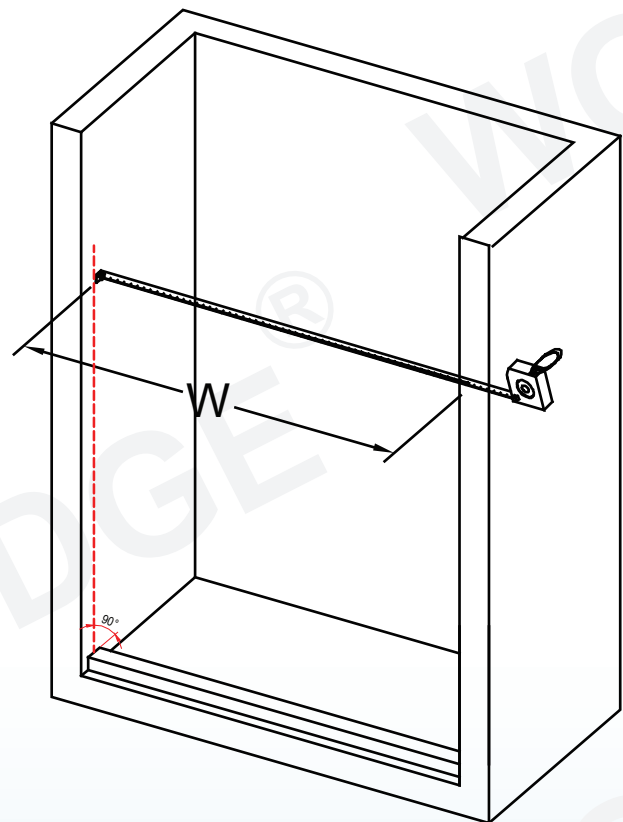
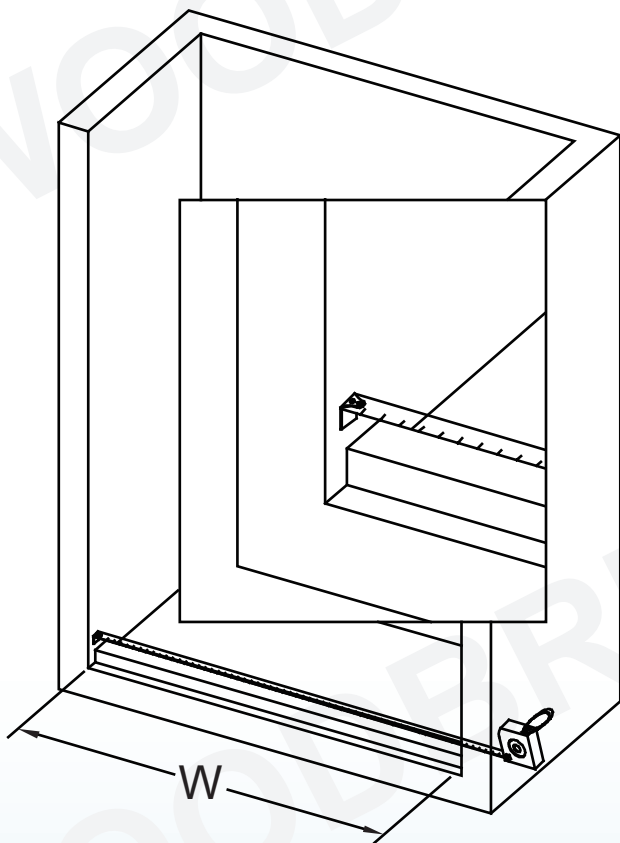
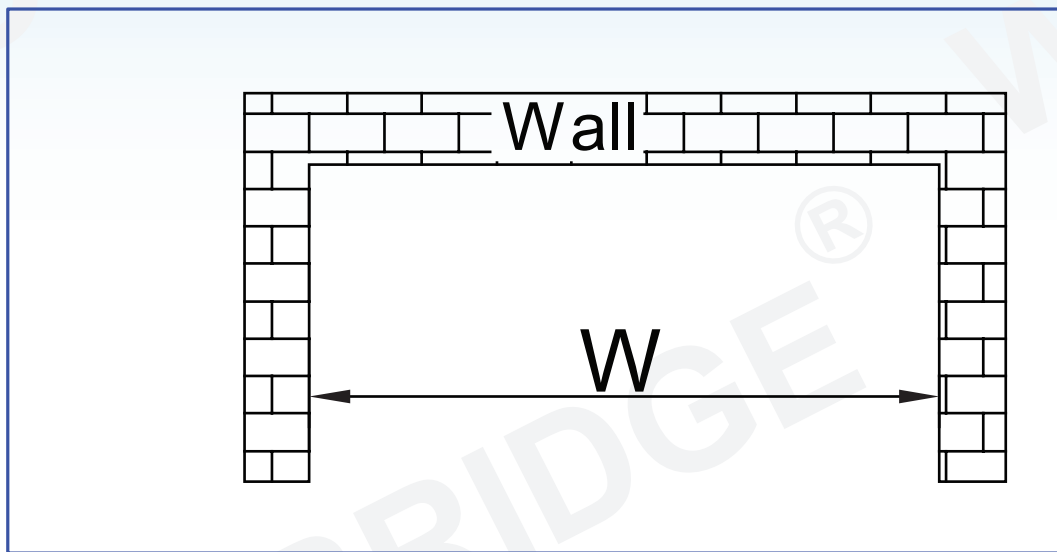


CAUTION!  **TWO PERSON LIFT REQUIRED**

NOTE

This model is reversible for right or left-hand door installation. The right-hand door installation is shown as an example throughout this manual. For the left-hand door installation, simply begin on the opposite wall and reverse the orientation of the steps shown.

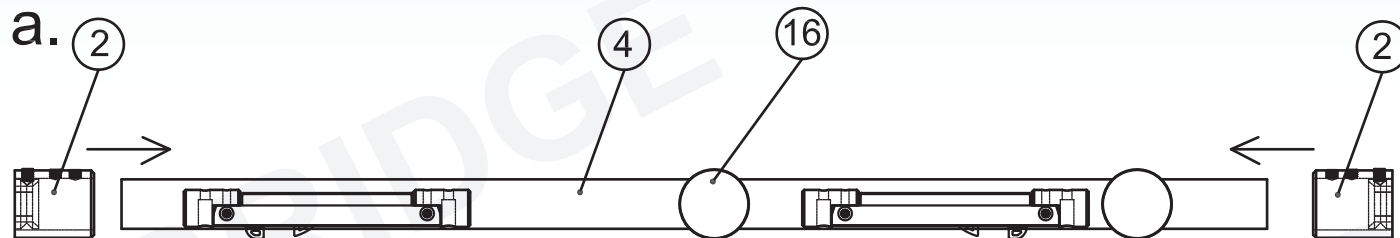




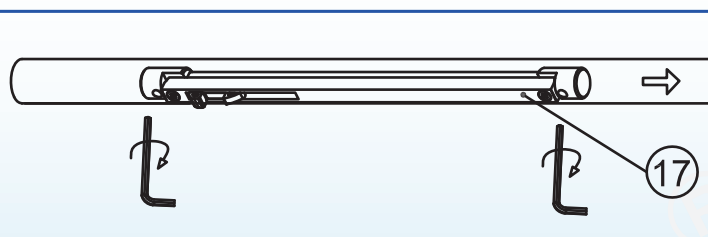
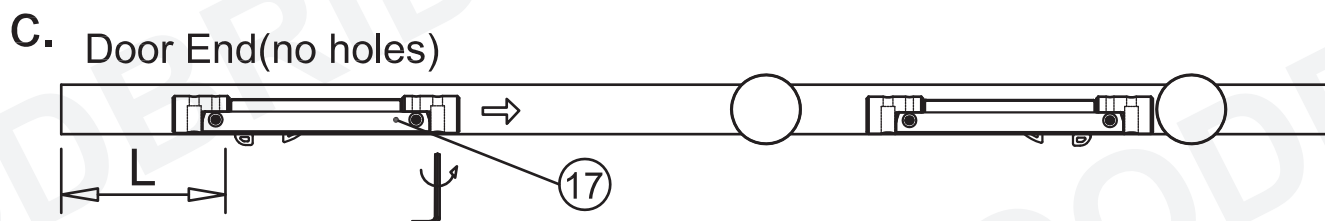
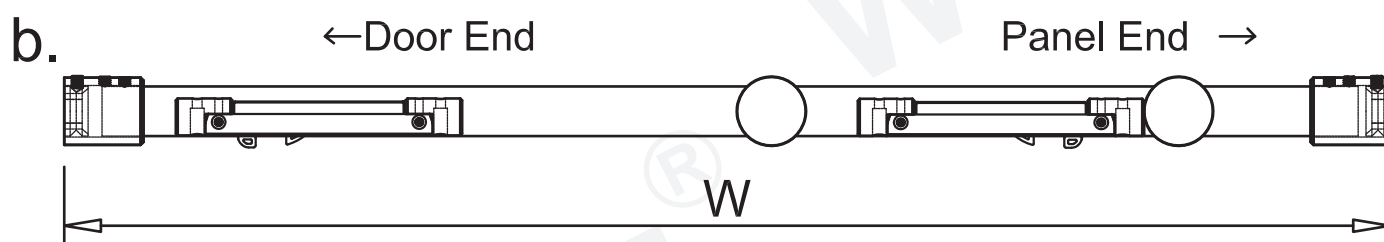
1. Measure the distance between two finished walls. This distance is marked as W.

Please see Fig 1 for details:

Fig 1



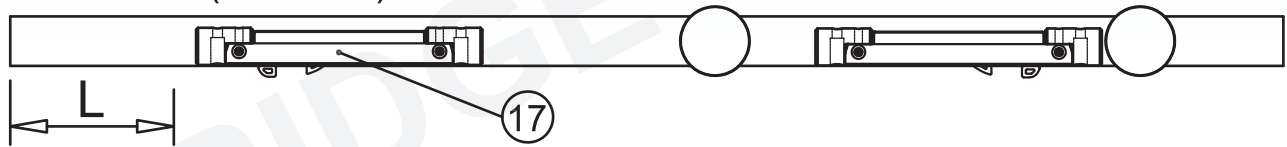
Note: The Glass Brackets have been pre-installed to the roller bar.



Note: The Soft Close Systems have been pre-installed to the Roller Bar.

Fig 2

D. Door End(no holes)



2. Your Upper Guide Rail (4) has been pre-cut for your Shower model opening width: 48" or 60" for shower width. If W-width of your wall-to-wall opening is equal to the size of your shower model, it is unnecessary to cut the Upper Guide Rail and you can continue to Step 3. If W-width of your wall-to-wall opening is less than the size of your Shower model, you will need to cut the Upper Guide Rail from the end which is farther from the Glass brackets (16) holes.

The length to cut off will be L:

$L = \text{Shower model size} - W$
 L=Subtract W from the size of your Shower model.

Please see Fig 2 for details.

FOR EXAMPLE

If your wall opening $W=47"$. Your shower model is 48".

$L=48"-47"=1"$,

You have to cut 1" off from the rail.

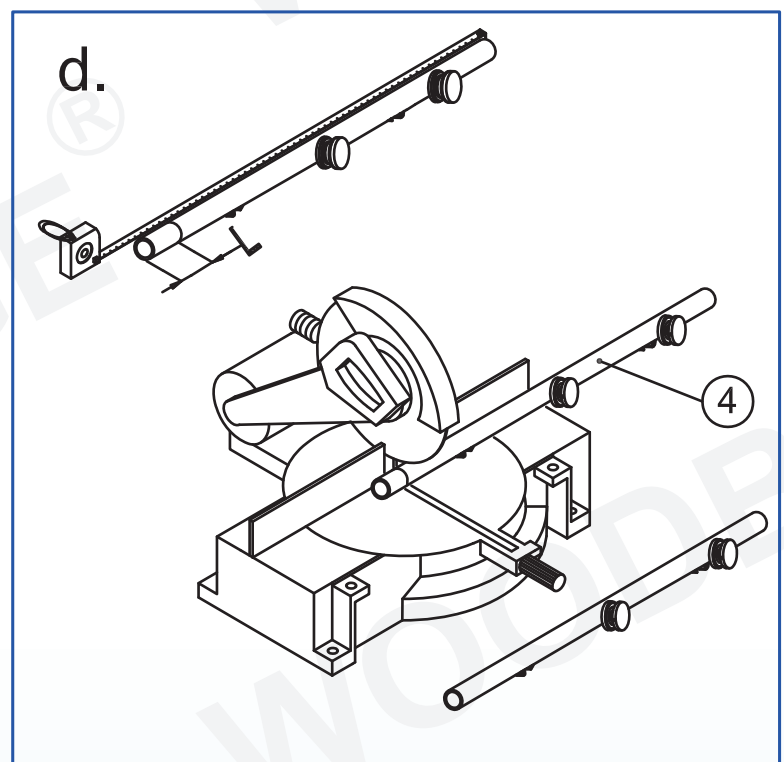
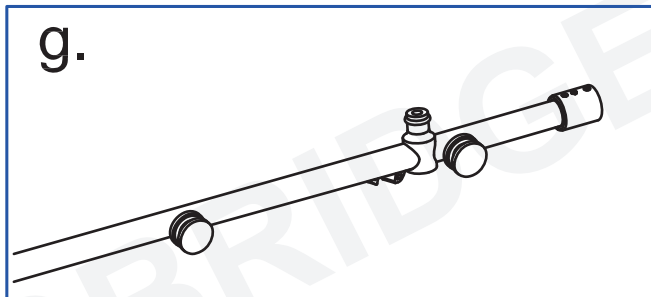
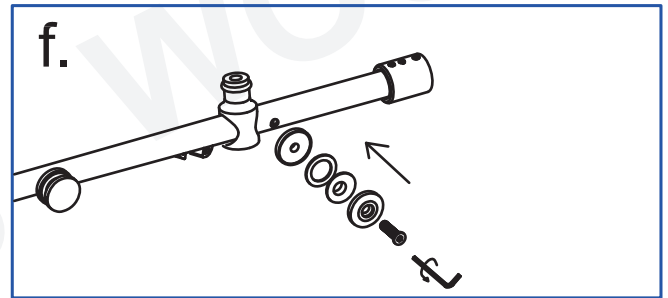
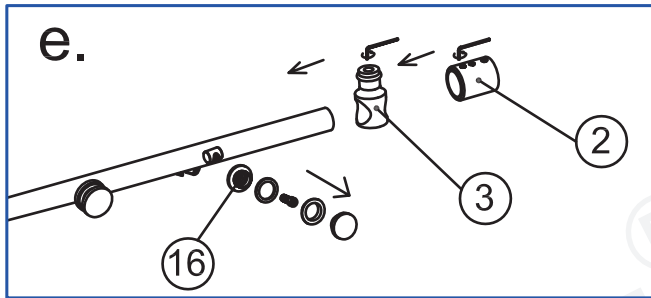
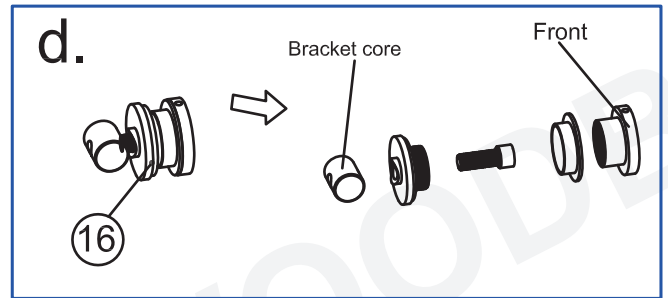
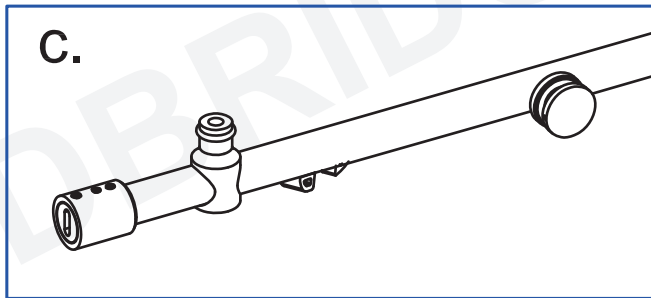
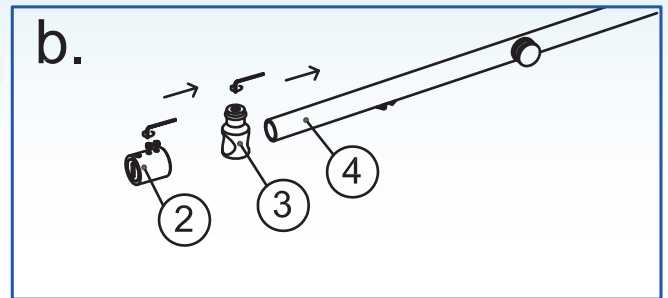
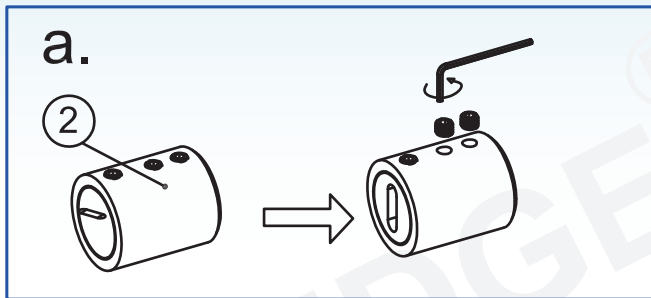


Fig 2

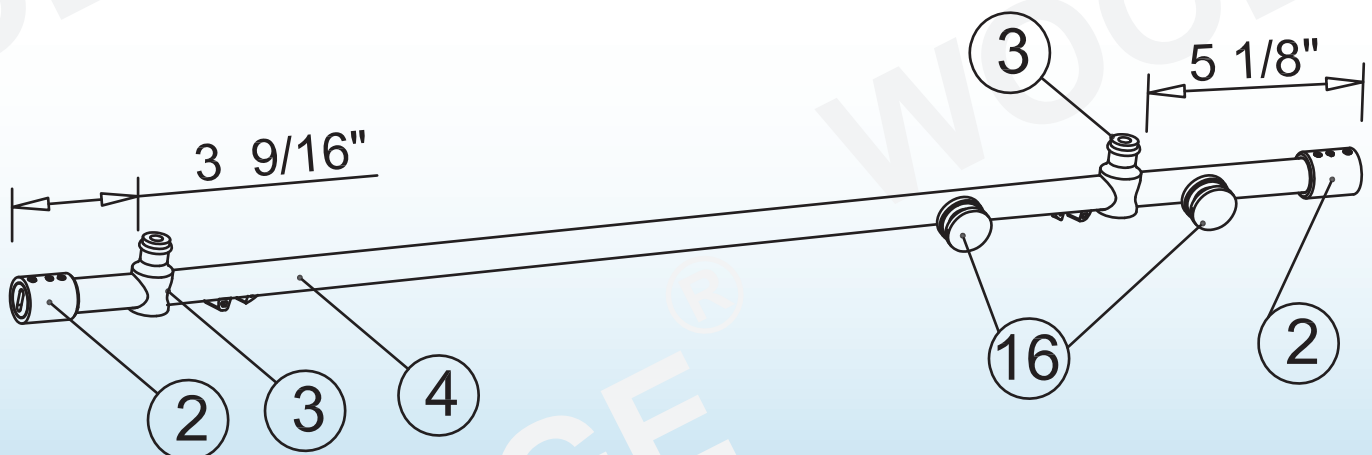
Important Note: Make sure the soft close system will not be cut or damaged when the upper guide rail is cut.



3. Use the allen key (18) to loose the screw on the Guide Rail Brackets (2) and Glass Door Stoppers (3). Slide the Glass Door Stopper and then the Guide Rail Bracket to the Guide Rail (4), use the allen key to tighten the parts to the guide rail temporarily.

Fig 3

Please see Fig 3 for details.



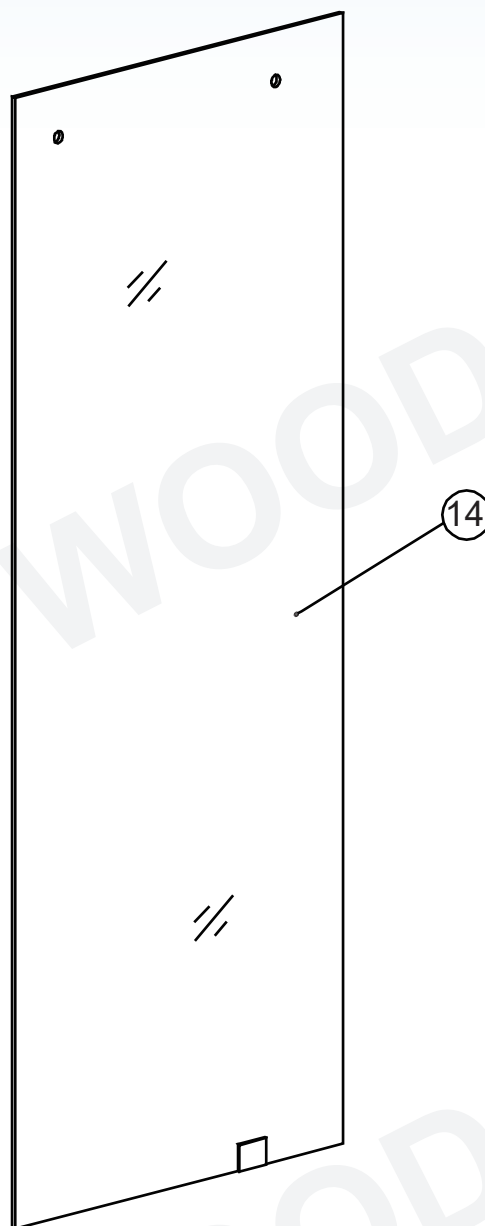
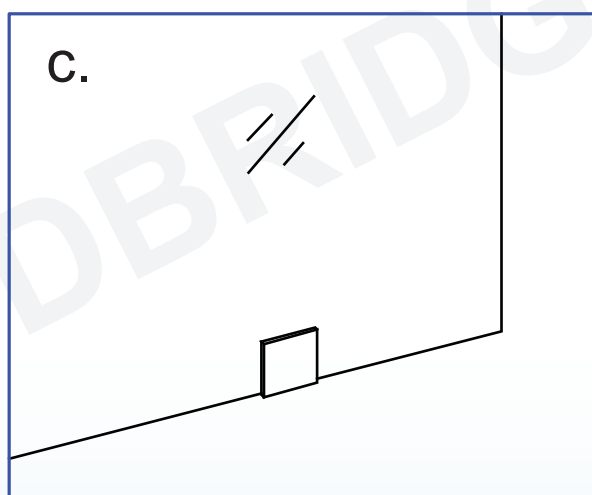
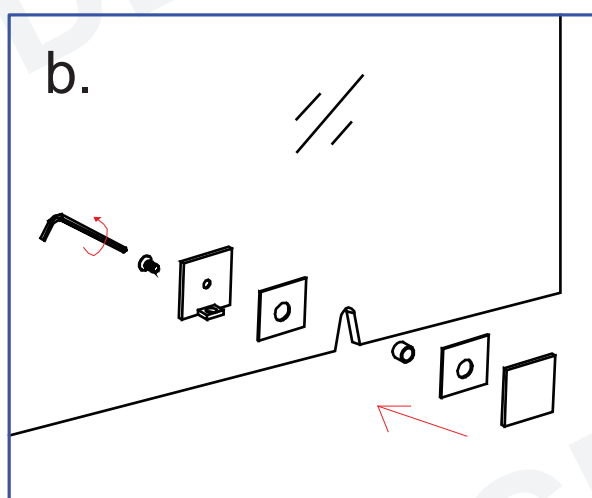
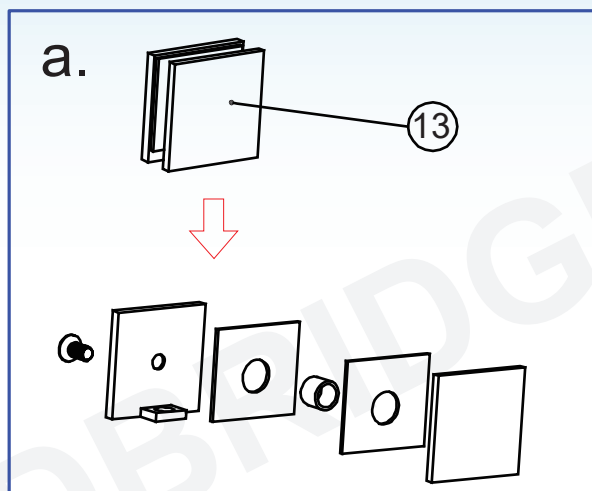
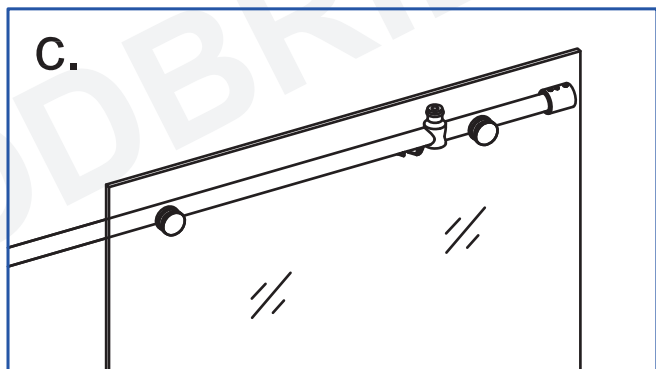
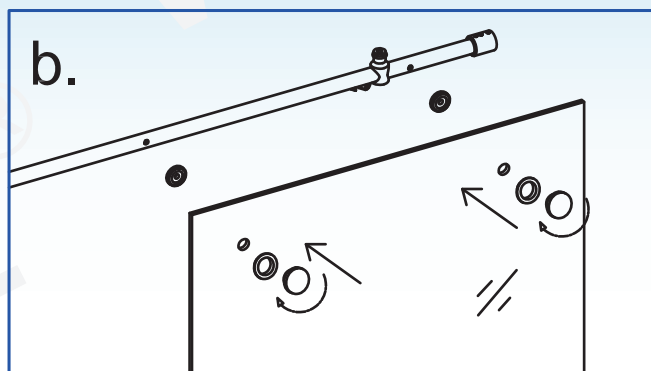
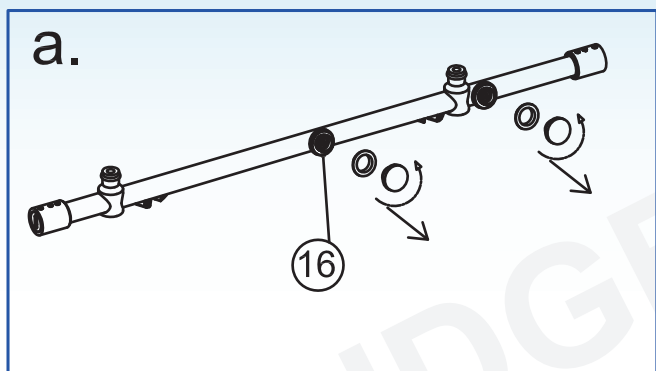


Fig 4

4. Install Stationary Glass

Loose the screw on Bottom Clamp (13). Disassemble the Bottom Clamp and install it on the Stationary Glass (14).

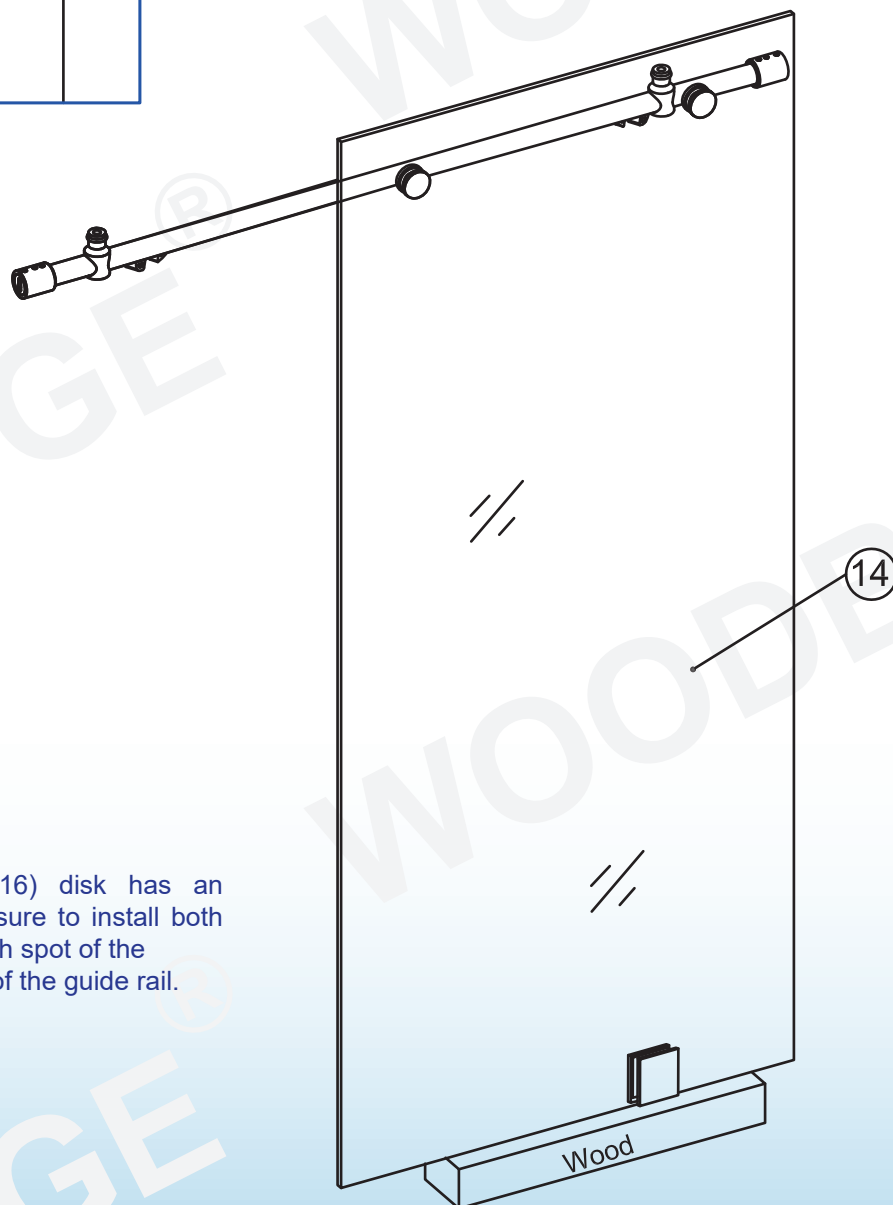
Please see Fig 4 for details



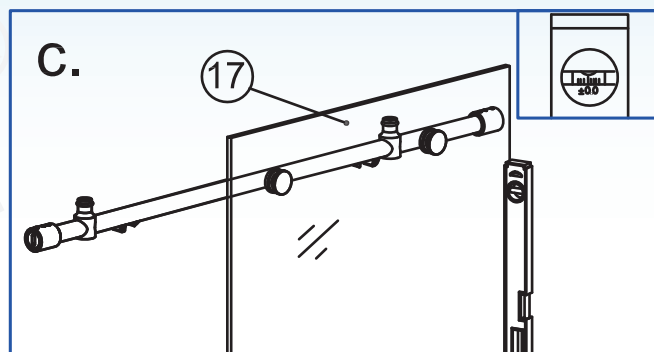
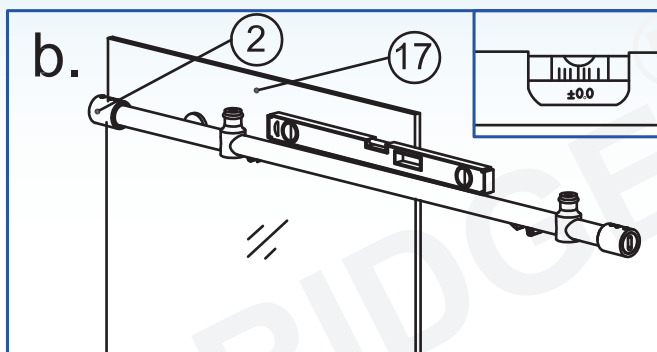
5. Loosen the screws on the Glass Bracket (16), align the hole of the Glass Bracket to the holes on the Stationary Glass (14). Secure the Upper Guide Rail (4) to the Stationary Glass by fastening the screws on the Glass Bracket.

Please see Fig 5 for details.

Fig 5



The outer Glass-to-Rail Bracket (#16) disk has an eccentric bushing for adjustment. Be sure to install both Glass-to-Rail Bracket disks with the high spot of the bushing pointed towards the door end of the guide rail.



The Stationary Glass (14) must be installed to the outside of the Top Guide Rail (4).

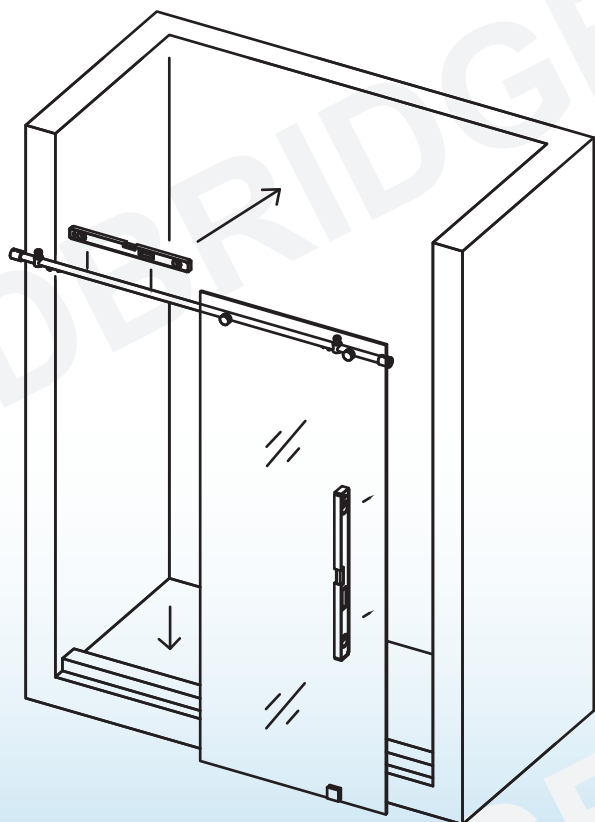
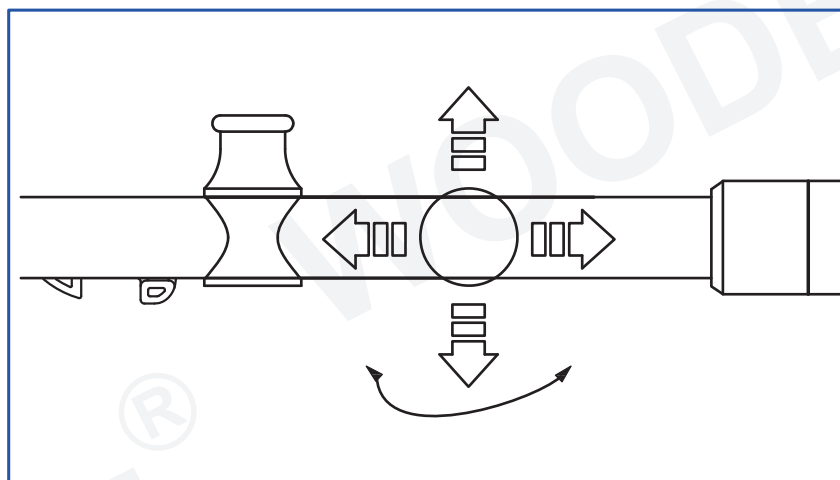
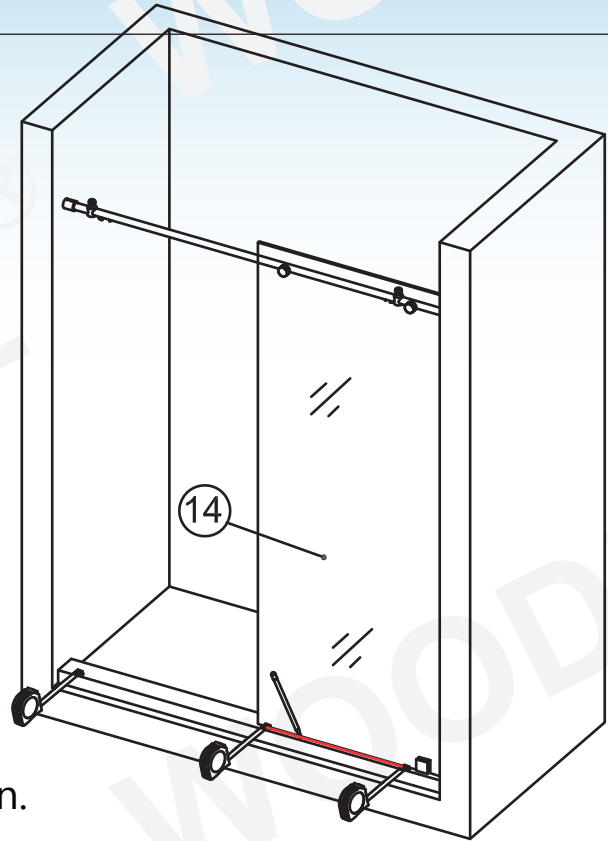


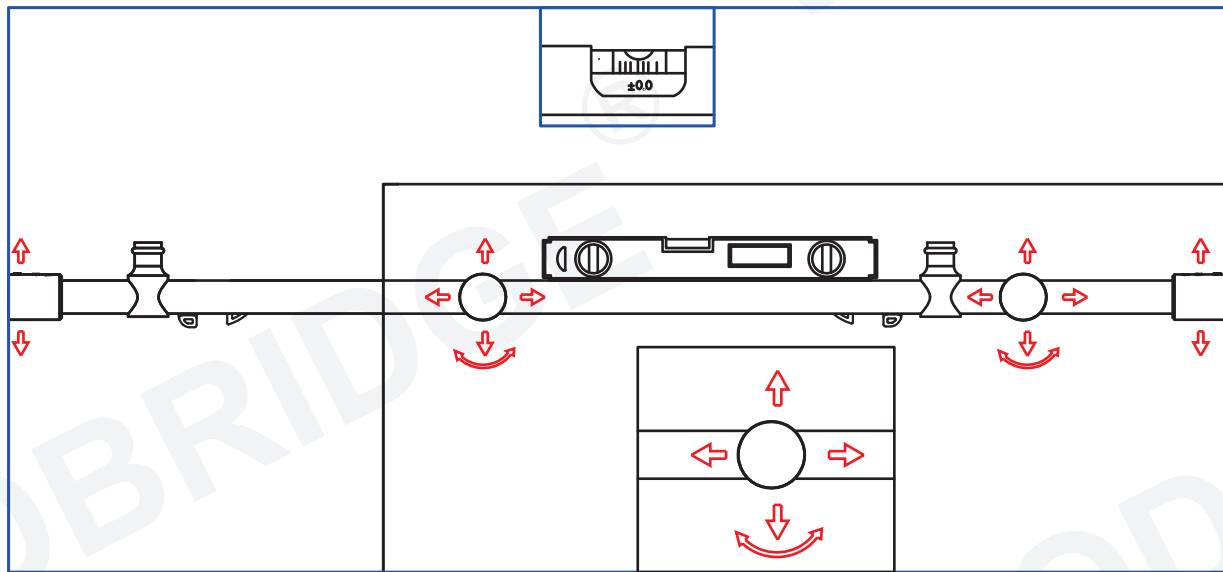
Fig 6

6. Place the Stationary Glass Assembly against the wall. Make sure the Stationary Glass and the Upper Guide Rail (4) are leveled.

Please see Fig 6 for details.



*right-hand door installation shown.



Adjust the location of the Guide Rail Brackets, mark down the location of the Stationary Glass.

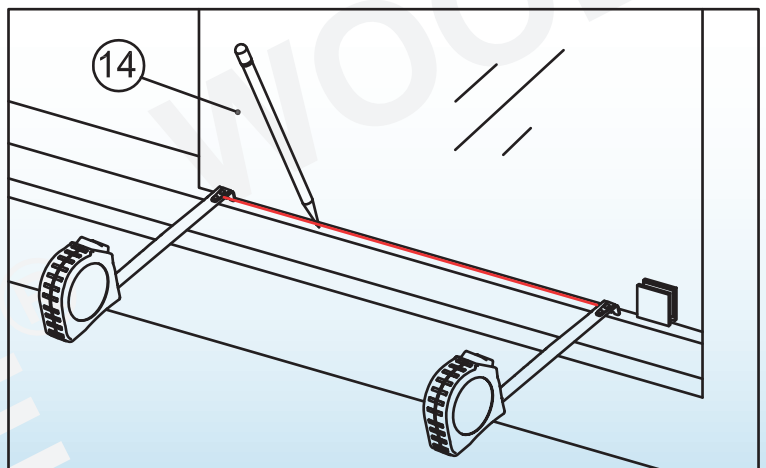


Fig 7

WOODBIDGE®

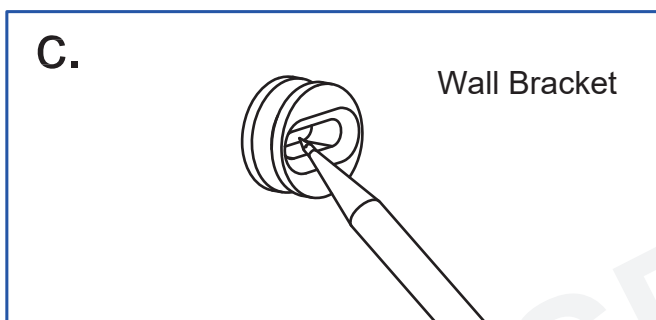
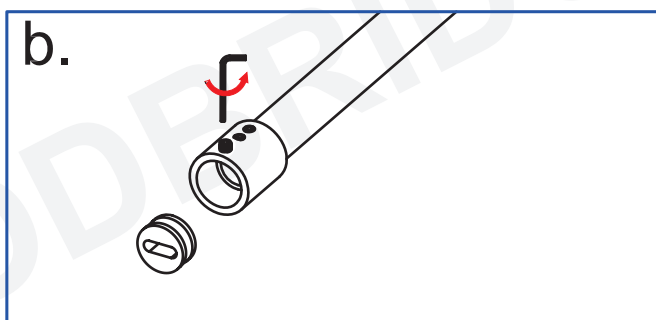
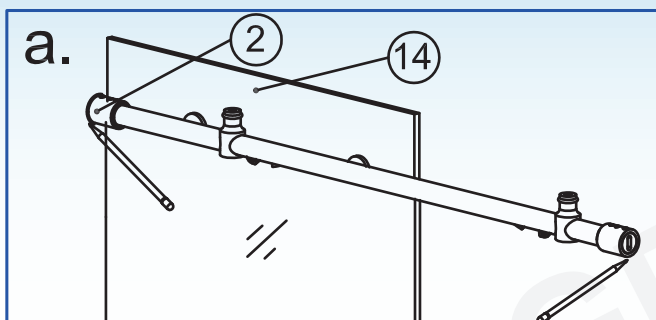
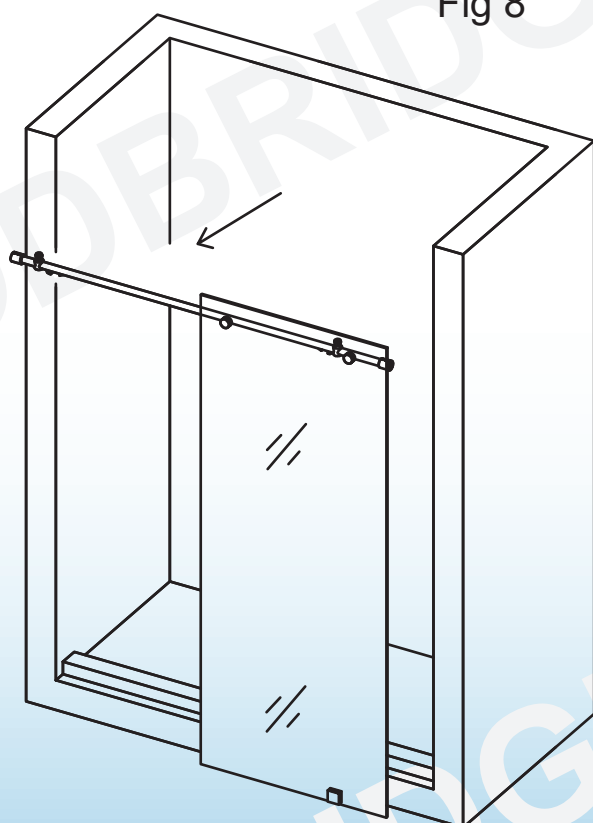
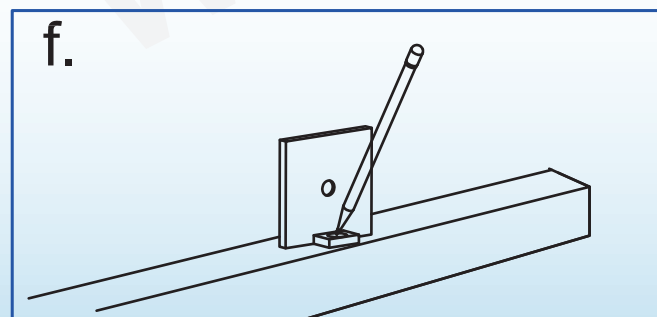
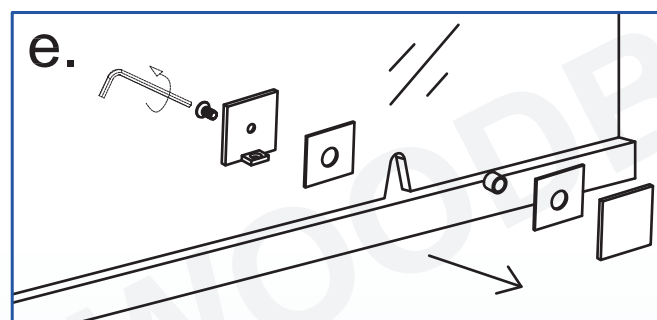
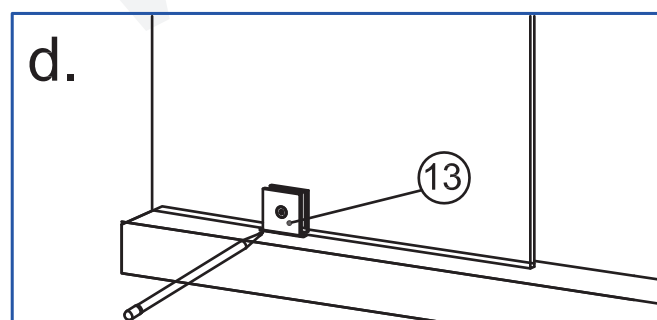


Fig 8

7. Slide the Guide Rail Bracket (2) against the wall, outline the Guide Rail Brackets position on the wall. Set the Stationary Glass (14) aside. Remove the Wall Bracket from the guide rail bracket and place them to the outlined positions and mark the drilling holes on the wall. Outline the position of the Bottom Clamp (13) on the base as well. Remove the Clamp from the Stationary Glass and place it back to the outlined positions, now mark the drilling holes on the threshold.

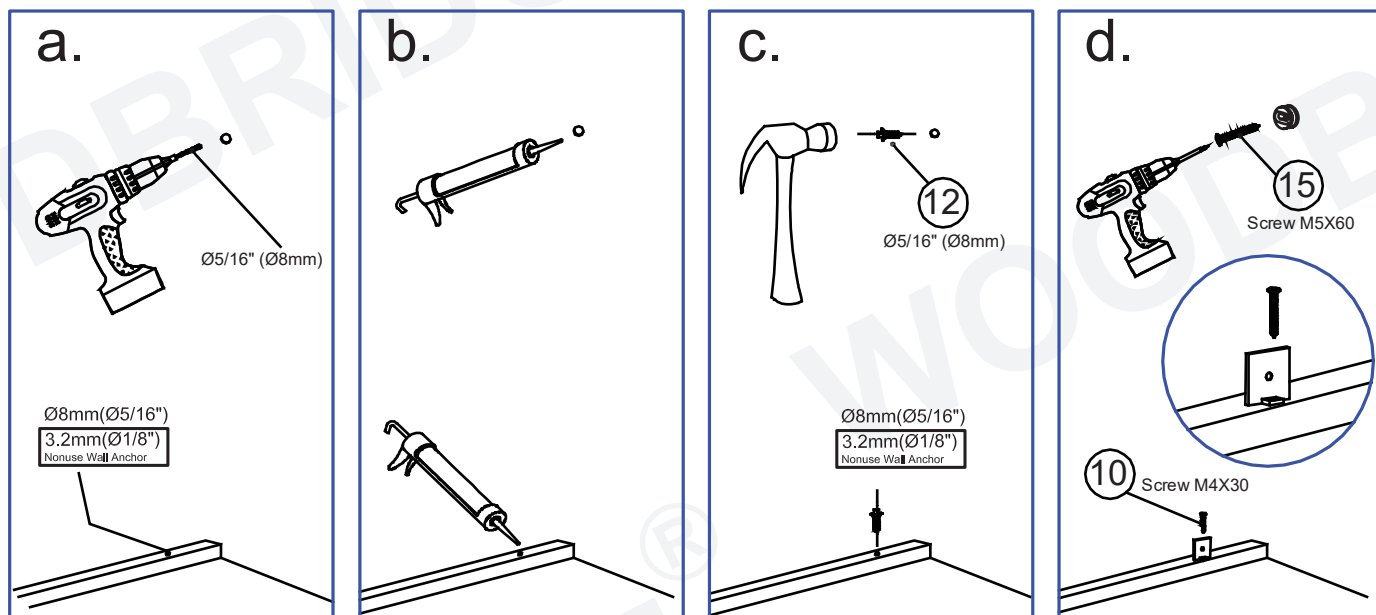
Please see Fig 8 for details.



8. Drill the holes to the wall per the predrilled position using 8mm(5/16") drill bit and apply silicone into the holes, insert the Wall Anchors (12). Mount the Wall Bracket of the Guide Rail Bracket (2) to the wall by using the Screws M5×60 (15).

Drill the holes to the threshold per the predrilled position using 8mm (5/16") drill bit and apply silicone into the holes, insert the Wall Anchor, mount the Bottom Clamp Plate to the threshold by using M4x30 screw (10)

Please see Fig 9 for details.



Note:

The other side of the Guide Rail bracket (2) is installed in the same way.

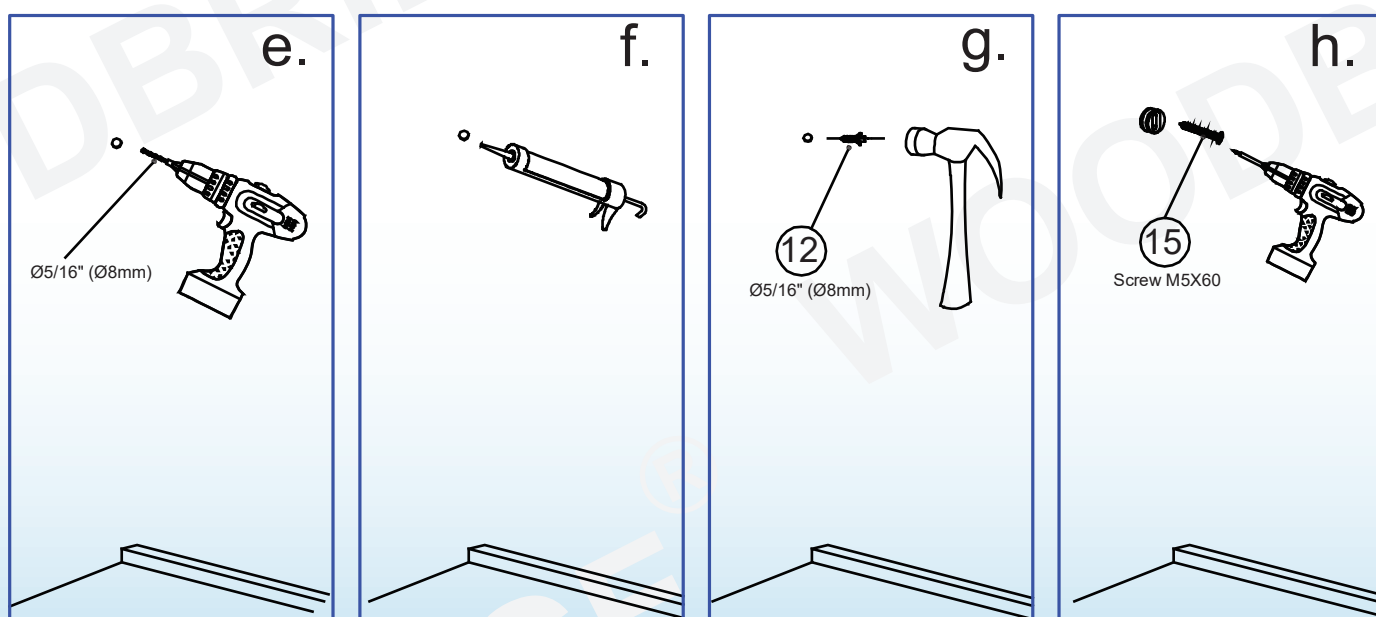
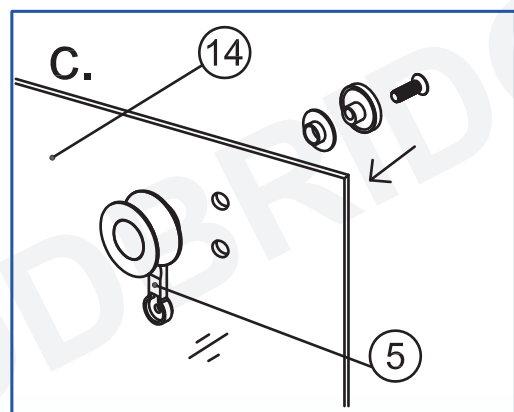
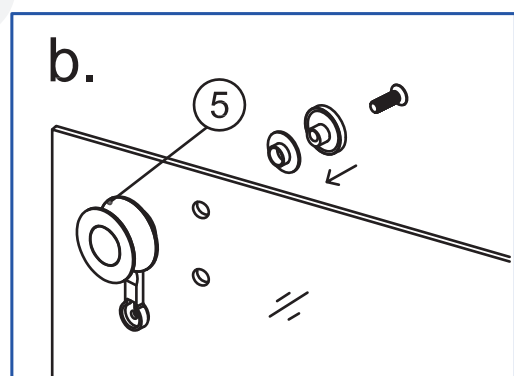
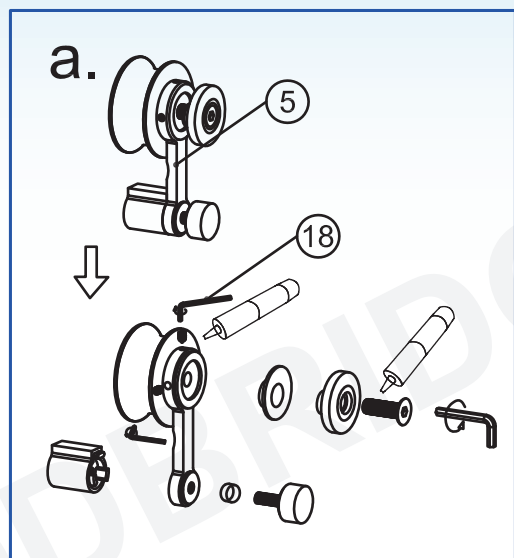


Fig 9



Attention:

DO NOT attach the handle to the Door Glass until instructed.

DO NOT attempt to lift the Glass Door with the handle as this may result in damage to the glass and/or serious personal injury. Use a professional grade glass suction cup and an assistant.

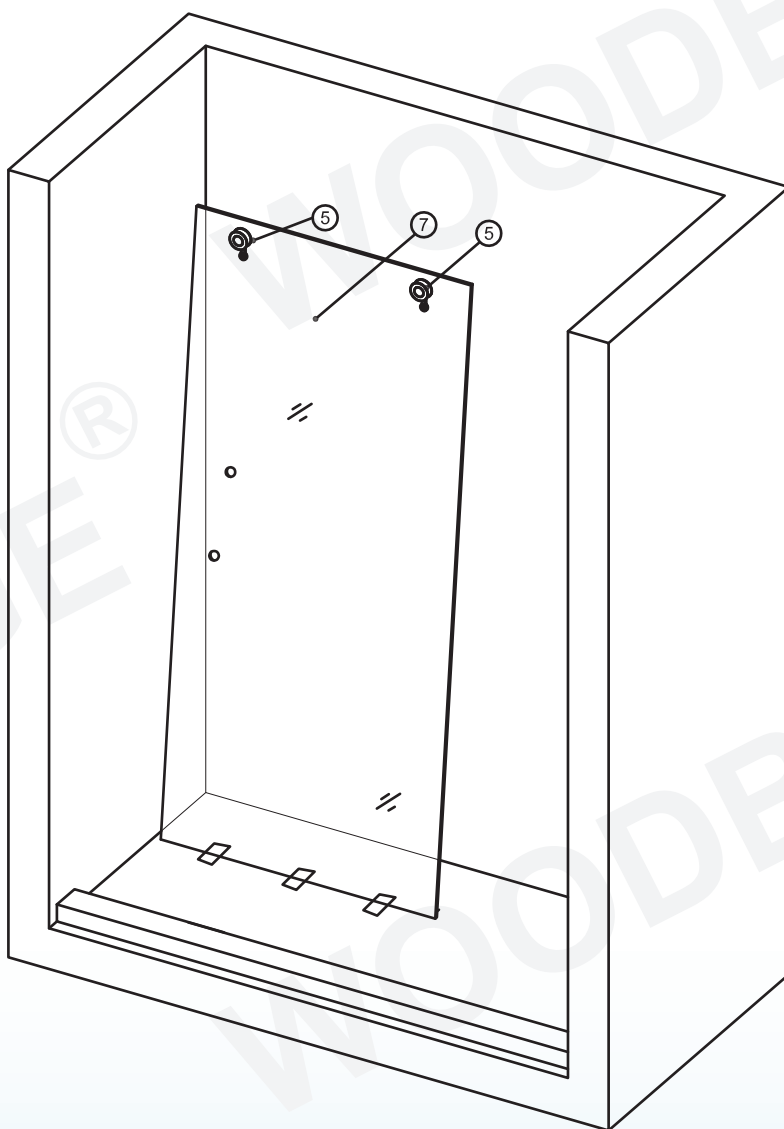


Fig 10

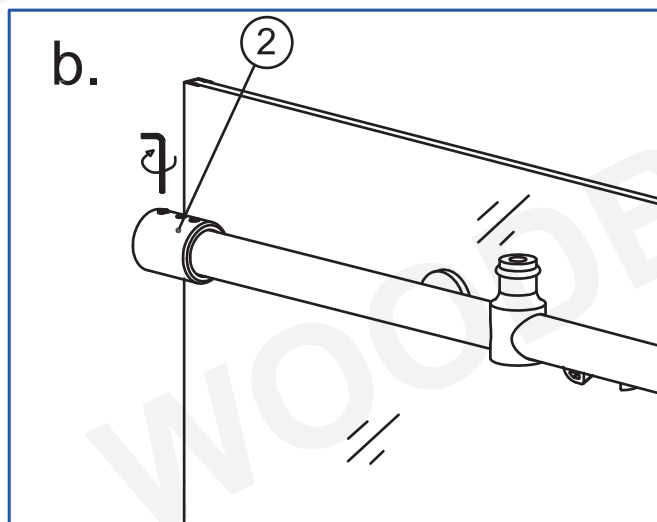
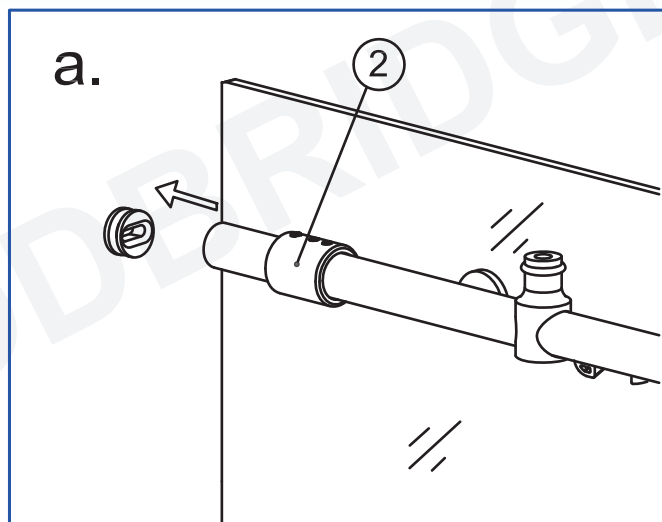
Attention: Need to loose the small allen screws before loosening the long allen screw on the roller

9. Attach the two Roller Assemblies (5) to the Glass Door(7) with the wheels facing outside of the shower.

Please see Fig 10 for details

10. Place the Stationary Glass Assembly back into the designated position. Slide the Guide Rail Bracket (2) to the two end sides of the Upper Guide Rail(4). Tighten the set screws on the Guide rail bracket (2) with Allen Key (18) to secure the guide rail to the wall. Install the Bottom Clamp (13) back to the Stationary Glass(14).

Please see Fig 11 for details.



Note: The other side of the Guide Rail bracket (2) is installed in the same way.

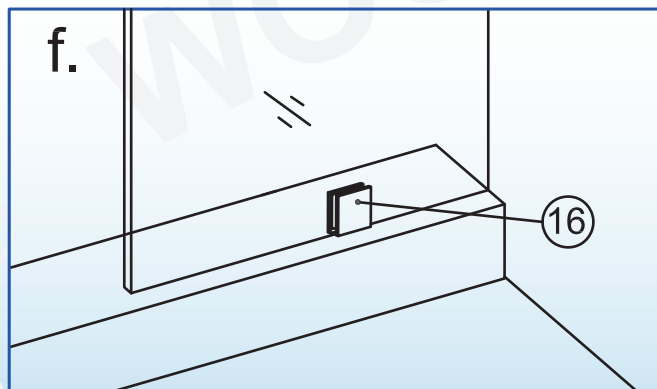
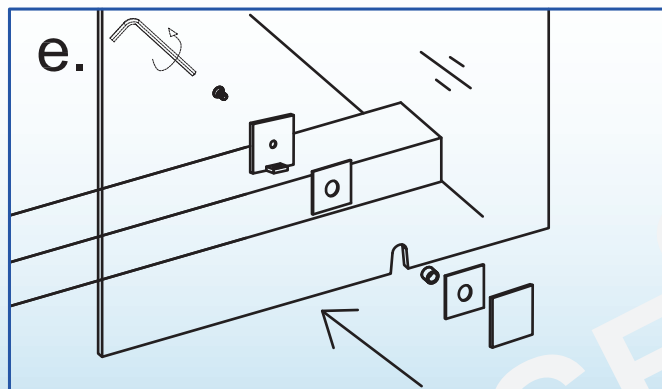
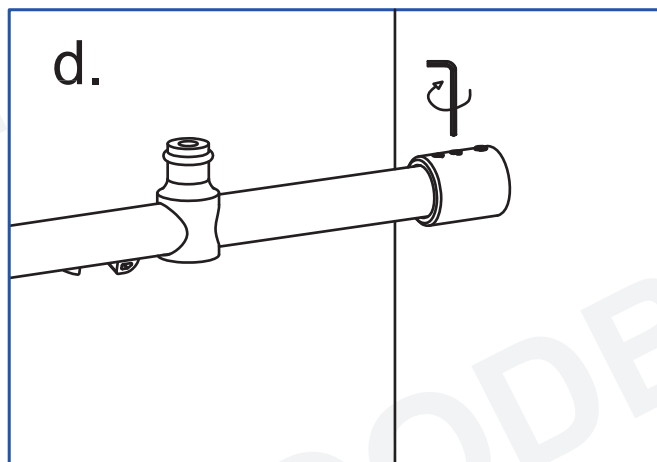
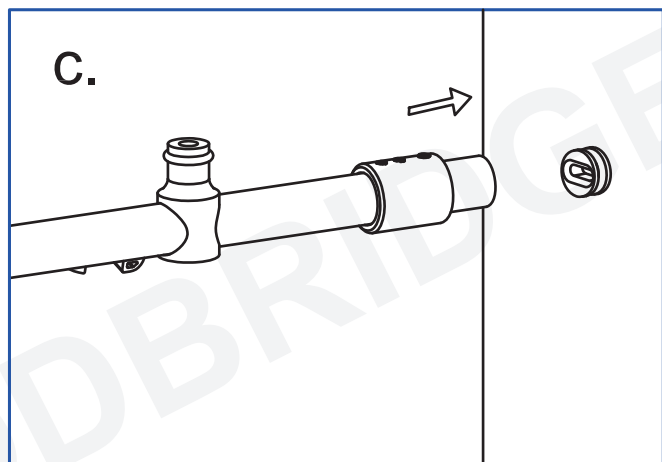


Fig 11

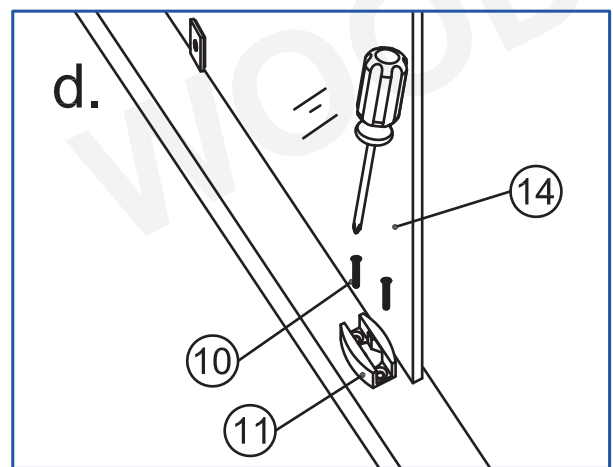
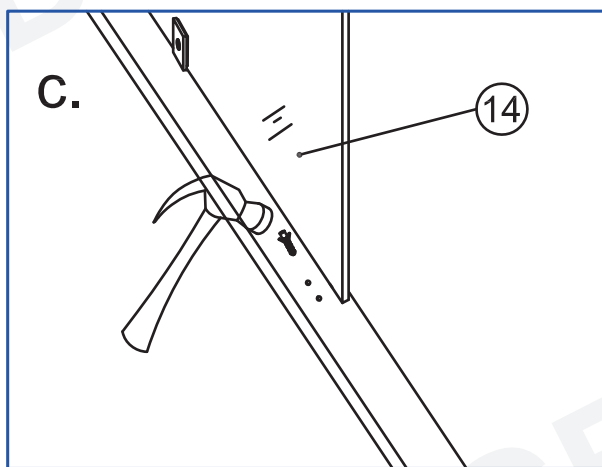
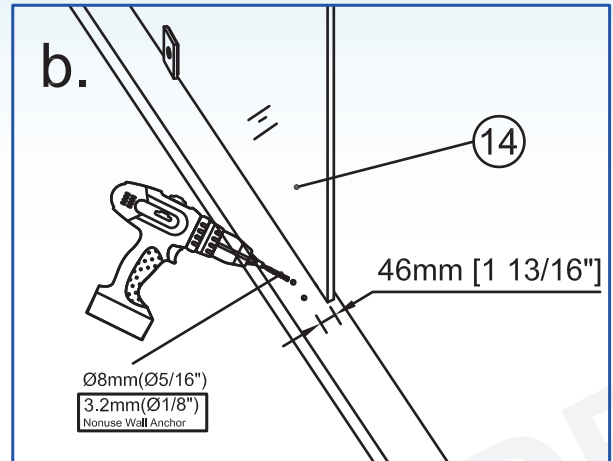
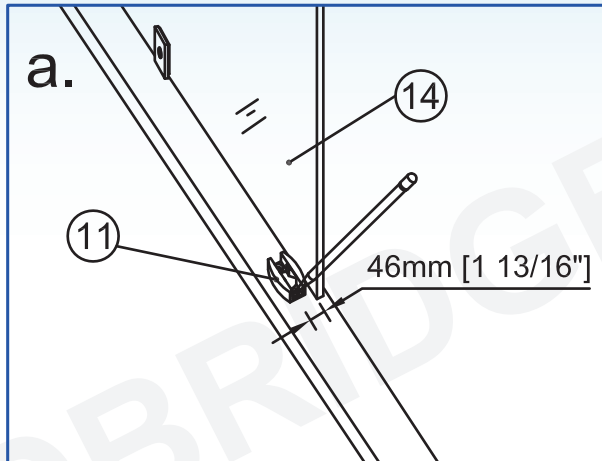
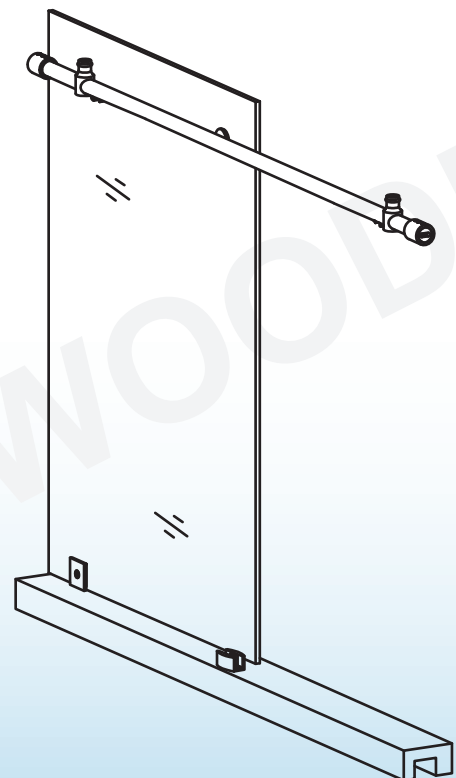


Fig 12

11. Place the Bottom Guide (11) to the bottom edge of the Stationary Glass(14), mark down the predrilled position of the guide block.

Now drill the hole with 3.2mm(Ø 1/8")drill bit to the threshold. Put the silicone to the hole. Now secure the Bottom Guide to the threshold with M4x30 screw (10).

Please see Fig 12 for details



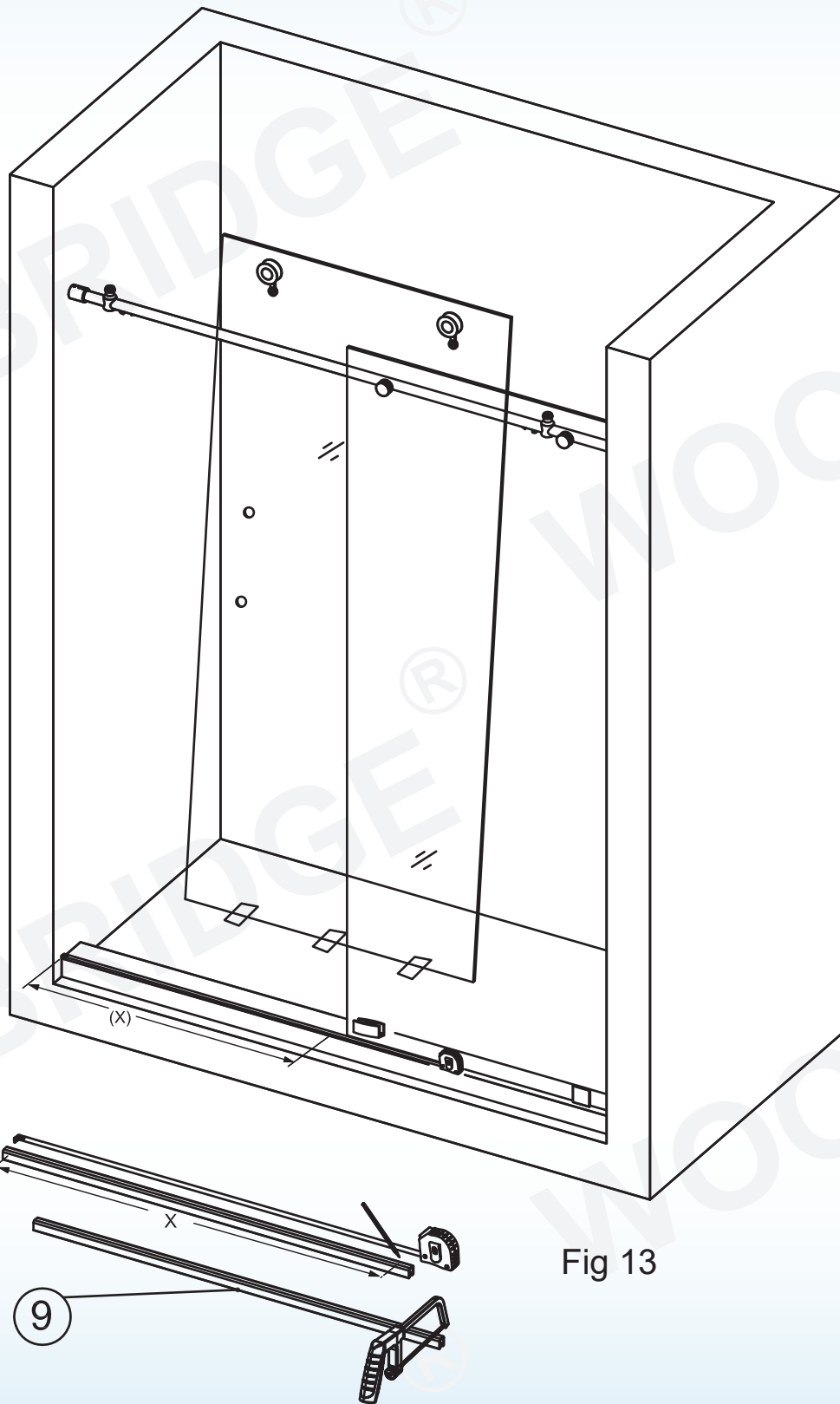


Fig 13

12. Measure the distance "X" from the Stationary Glass(14) to the wall. Cut the Anti-Splash Threshold(9) to the length of "X" if necessary.

Please see Fig 13 for details

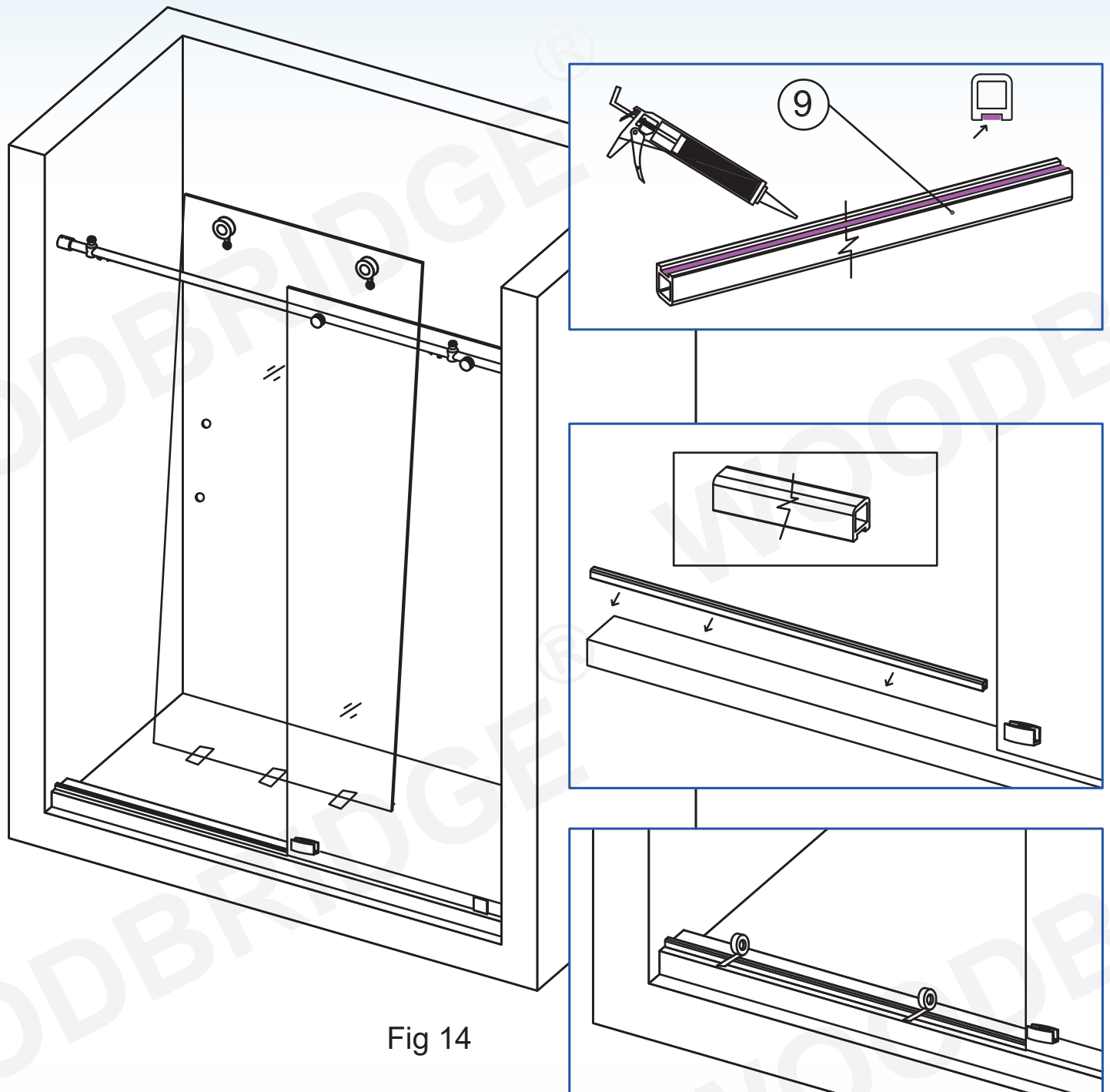


Fig 14

13. Put silicone sealant to the bottom of the Anti-Splash Threshold(9), secure the threshold in front of the Glass Door.

Please see Fig 14 for details

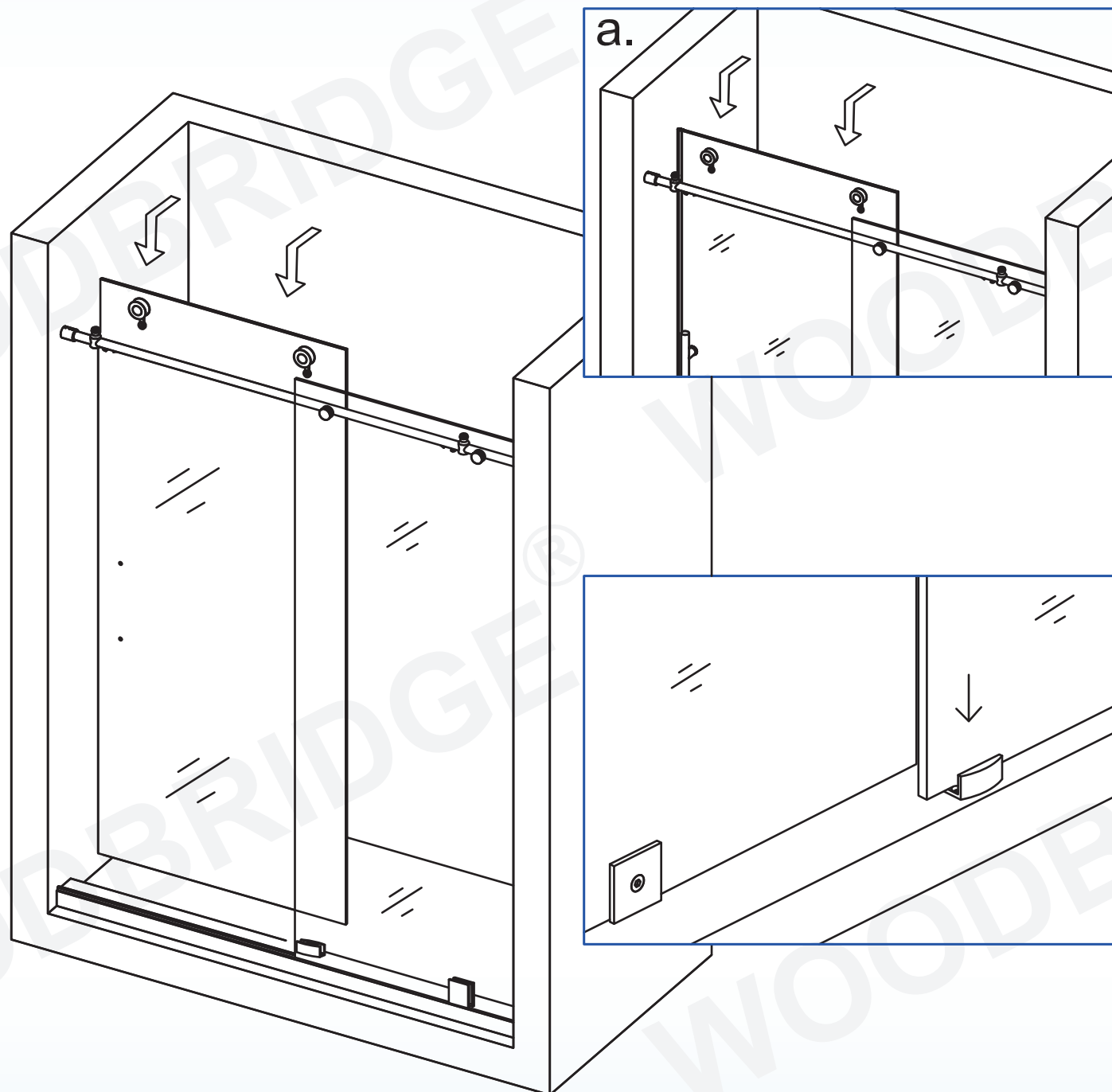


Fig 15

14. Hang the Glass Door (7) back to the Upper Guide Rail (4), slide the bottom of the glass door into the slot of the Guide Block (11). Be careful that the glass door should not touch the metal part of the guide block.

Please see Fig 15 for details

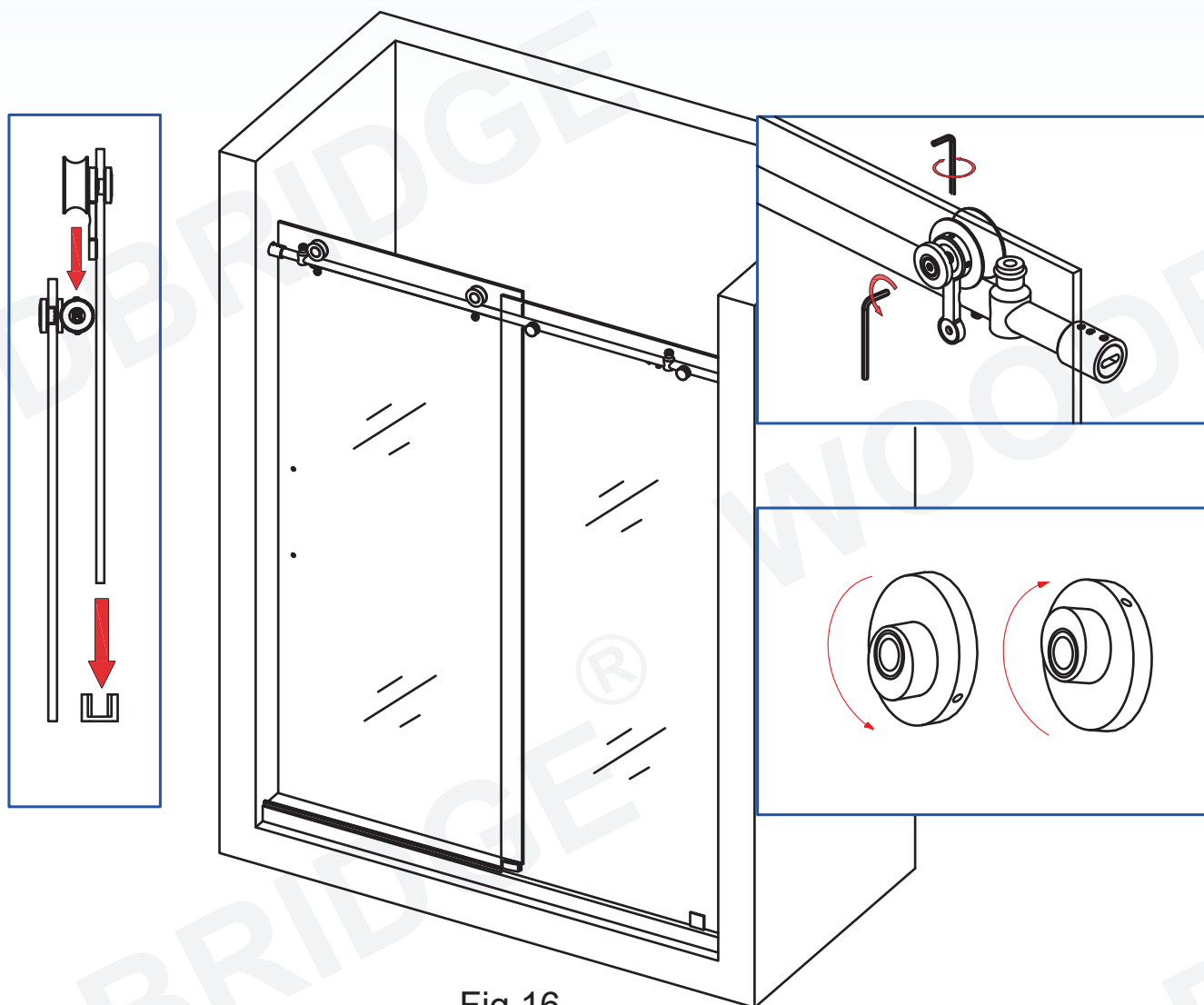


Fig 16

15. Hang the Glass Door(7) installed with Rollers(5) to the Upper Guide Rail(4). Use a 3/16" shim beneath the Glass Door when adjusting the level of the door so that the glass does not make contact with the guide block or threshold. The adjustment disks in the wheels are the same as the disks in the Glass-to-Rail Brackets and can be rotated to adjust the Glass Door (7) to create a seal with the wall. The Safety Set Screw on both Roller Assembly MUST be re-tightened after installation to prevent the wheel bolt from becoming loose. Apply Thread Lock Adhesive during installation.

Please see Fig 16 for details

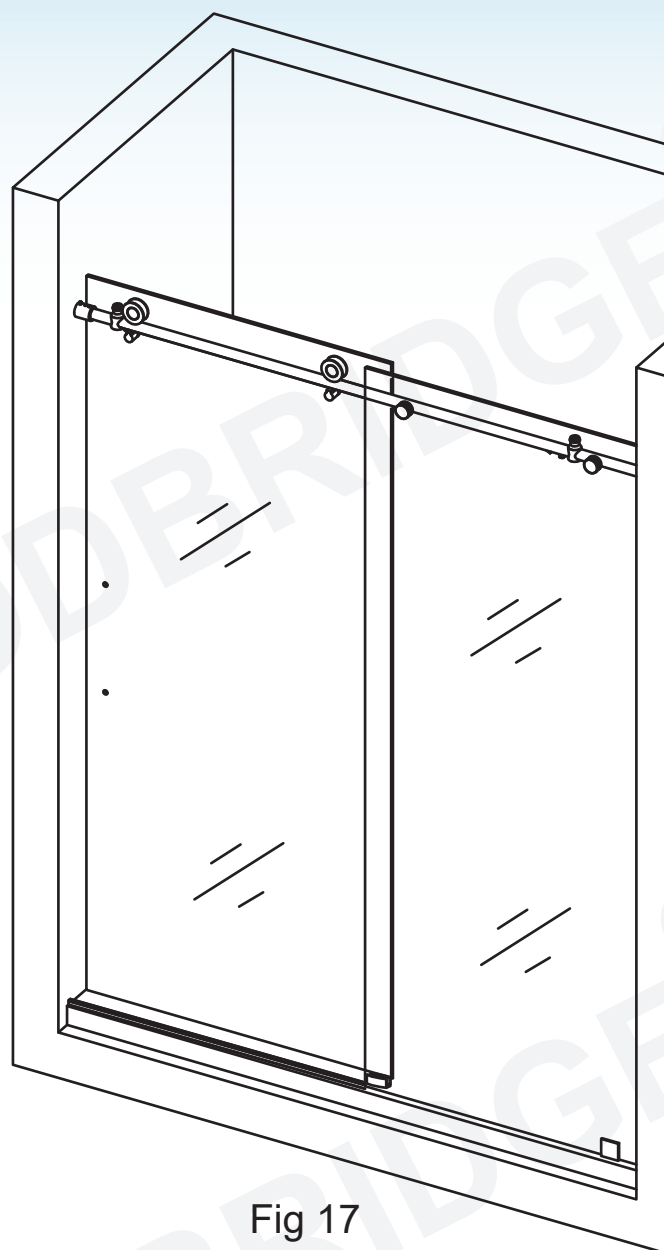
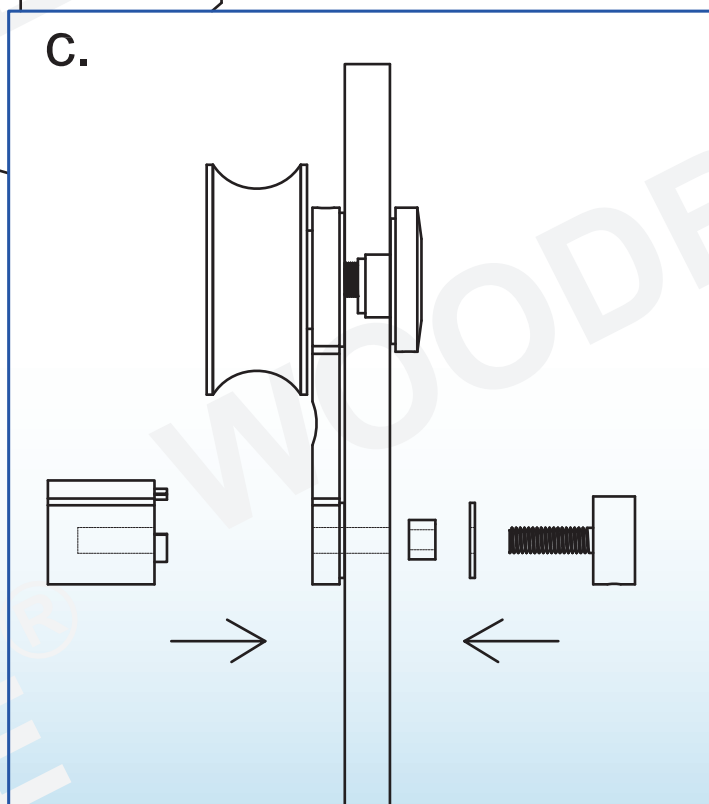
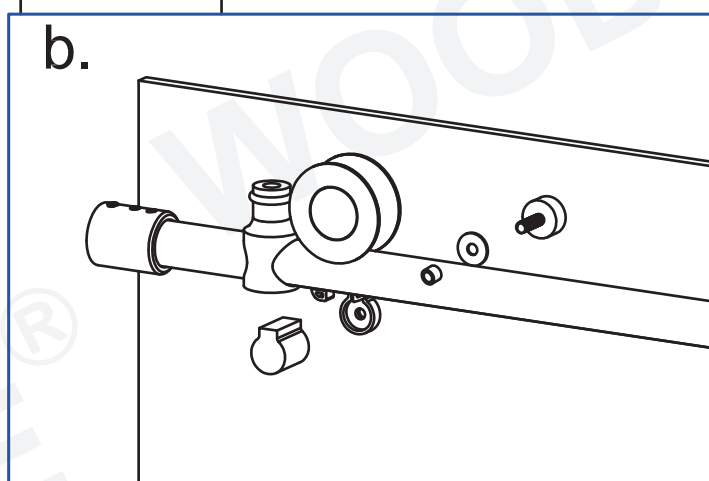
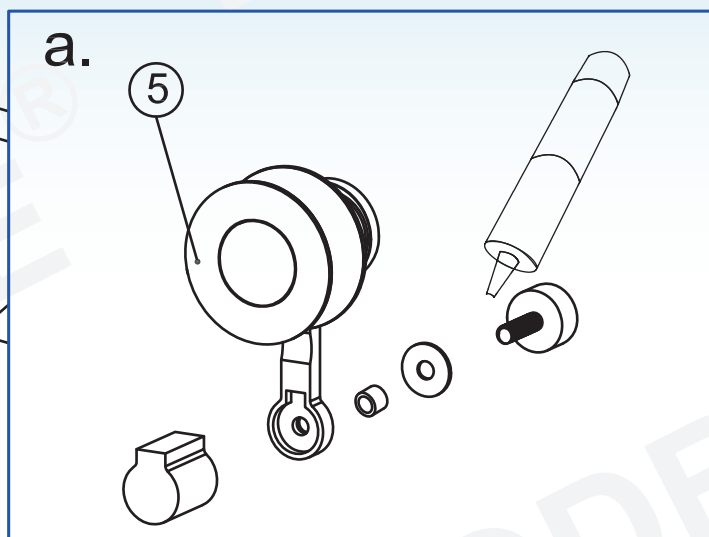


Fig 17

16. Install the Anti-Jump Pin of the Roller to the Glass Door (7). Make sure that the clear gasket will be between the glass and the metal parts of the Pin.

Please see Fig 17 for details



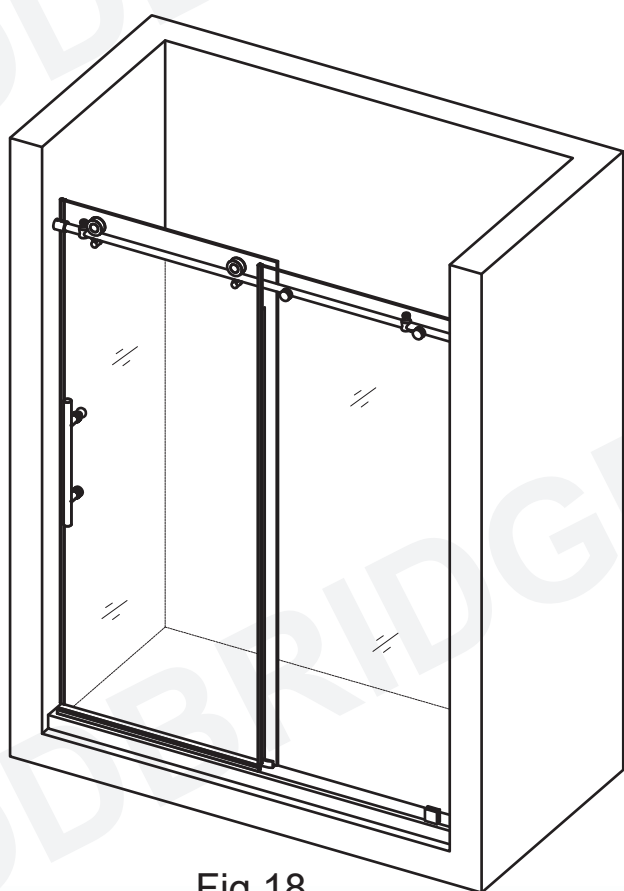
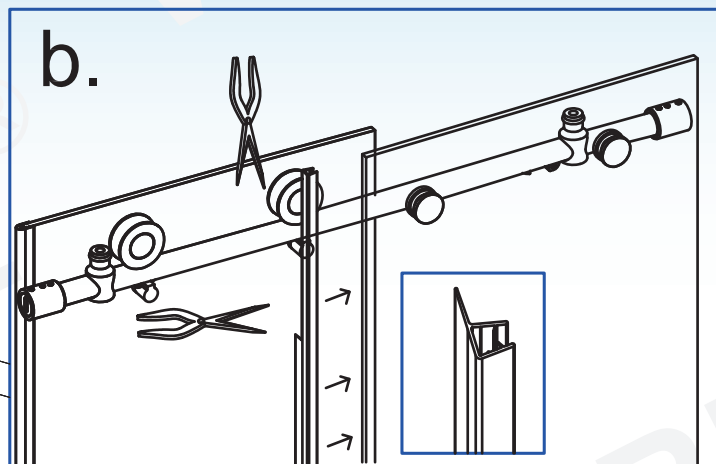
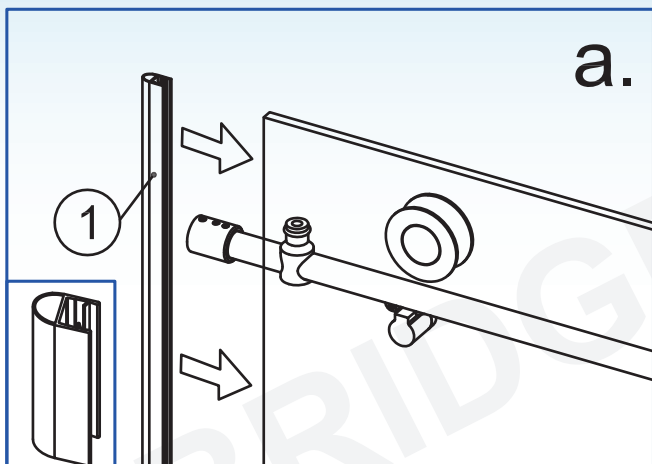
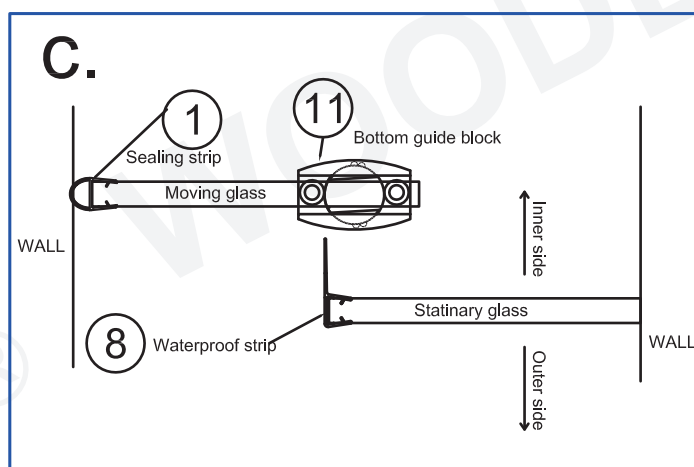
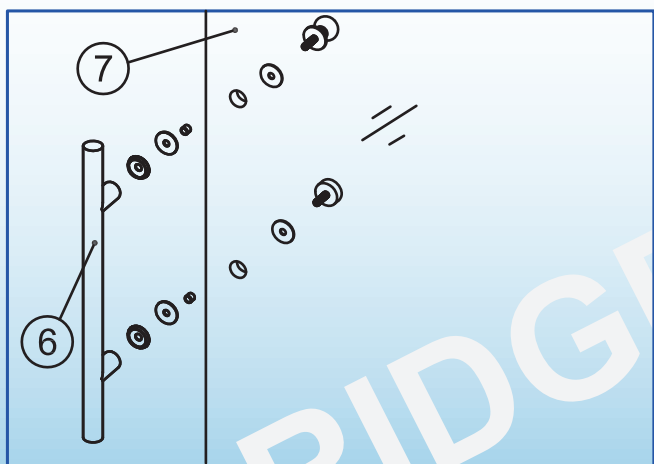


Fig 18



17. Attach the Side Anti-Water Strip (8) to the edge of the Stationary Glass (14) and the Bumper Strip to the Glass Door (7). Use a razor knife to trim the Side Anti-Water Strip (8) at the top to avoid interfering with the Upper Guide Rail (4). Install the handle (6) to the Glass Door (7), make sure that clear gasket and busher will be between the glass and the metal parts of the handle.

Attention: Never make any metal parts contact with the glass. Metal parts contact directly to the glass may cause glass breakage during installation or in future usage.



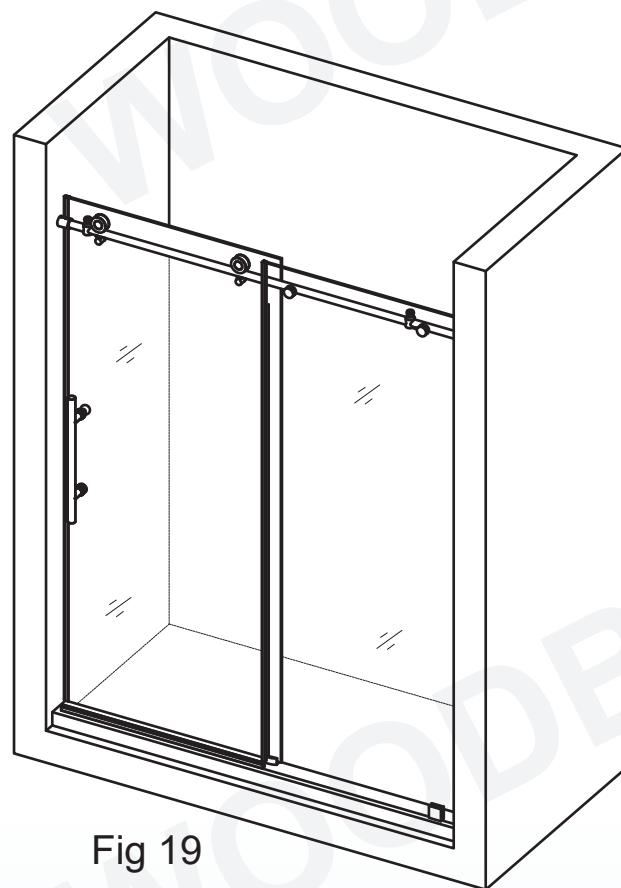
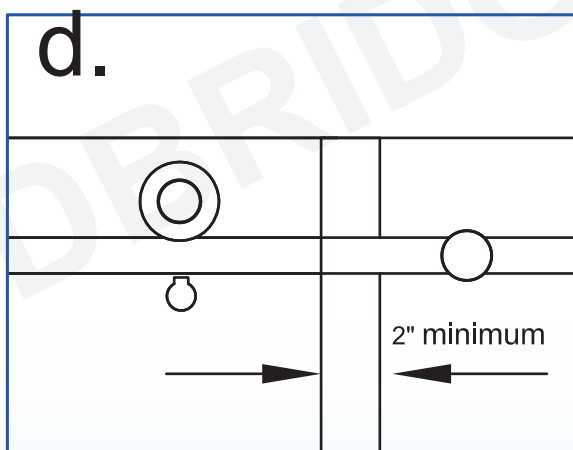
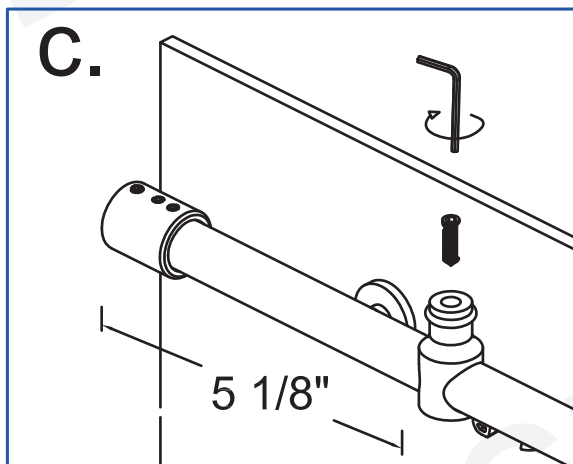
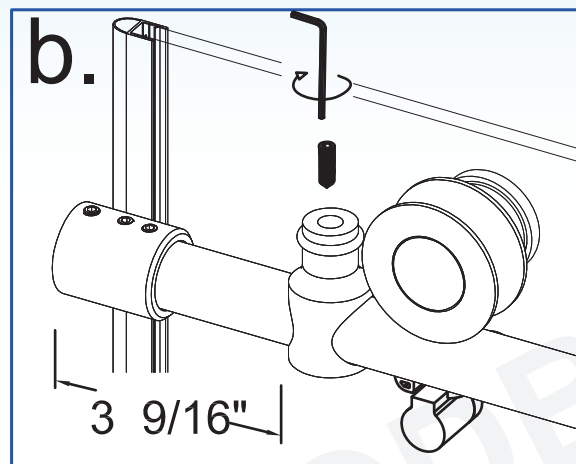
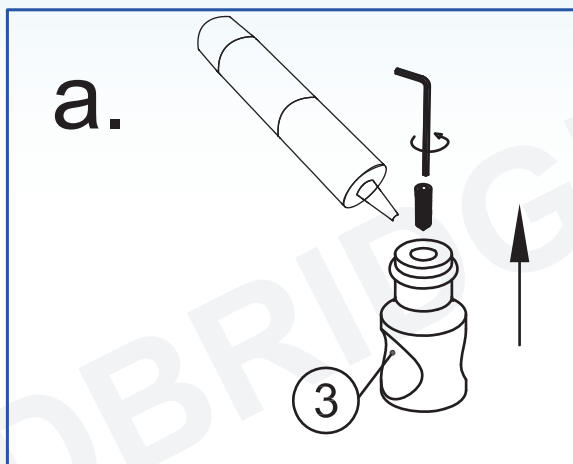
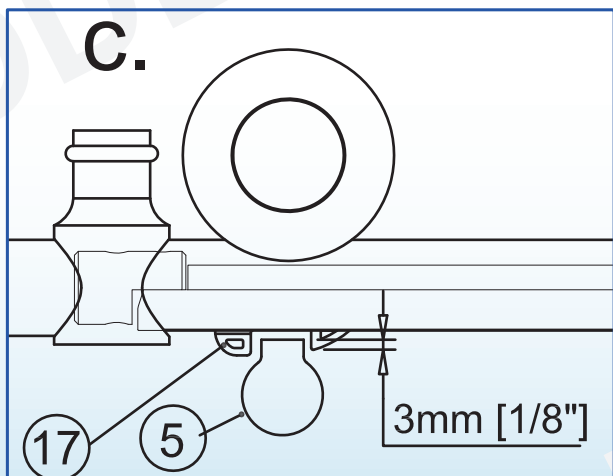
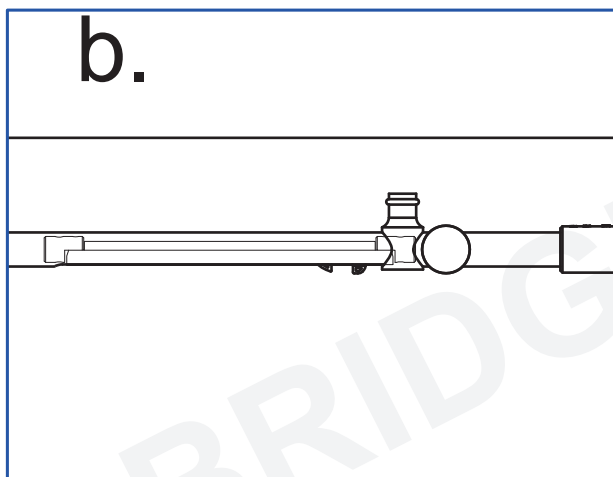
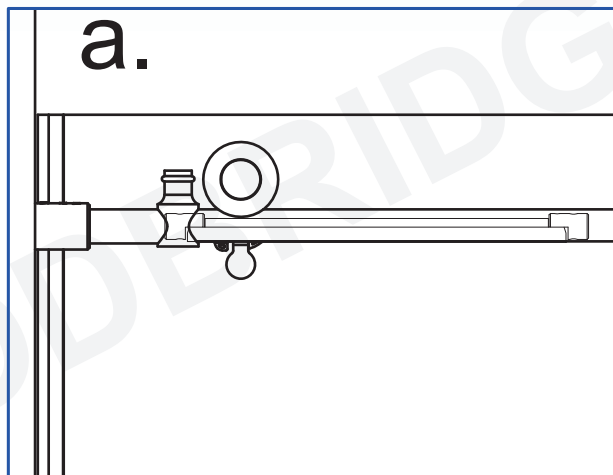


Fig 19

18. Door Stopper Installation

Measure the Glass Door Stopper(3) location and remove the set screw from the Stoppers apply Thread Lock Adhesive to the set screw threads, tighten screws into the stopper hole.

Please see Fig 19 for details.



19. Make Sure the hook of the roller can hit the Soft Close System and there is 3mm contact area between the hook and the Soft Close System.

Please see Fig 20 for details.

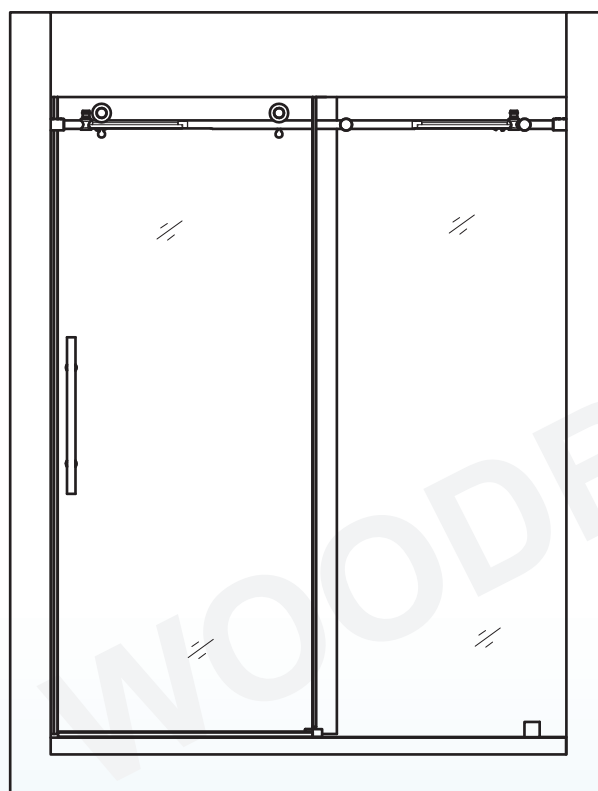
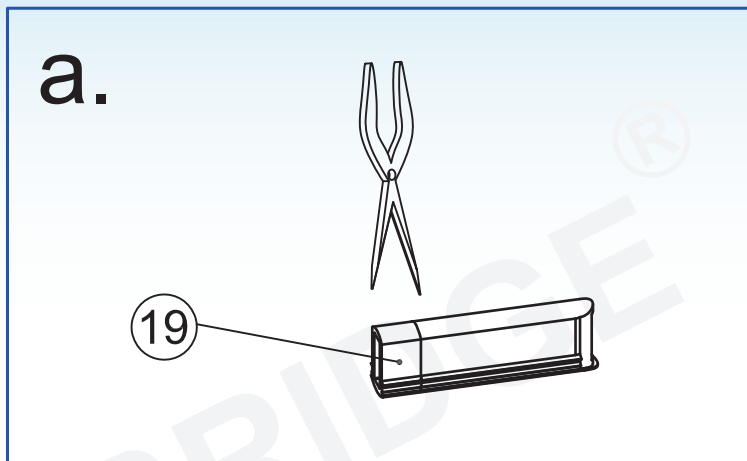


Fig 20



20. Place the black Gasket Cap (19) into the hole of the Guide Rail (4).
Place the Hole Filler (20) into the hole of the Guide Rail (4).

Please see Fig 21 for details.

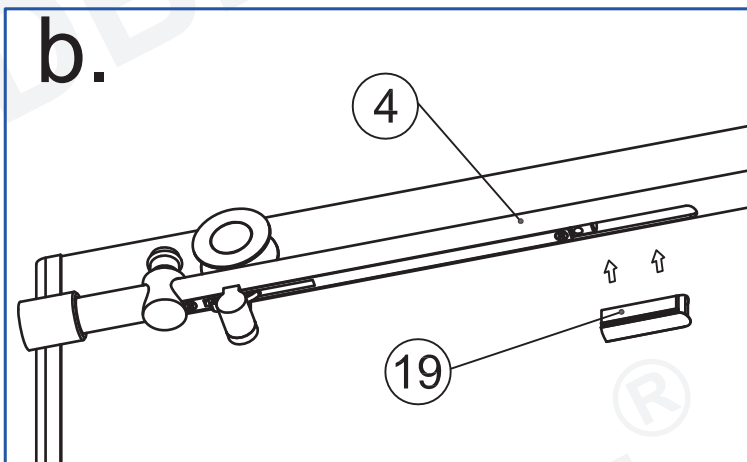
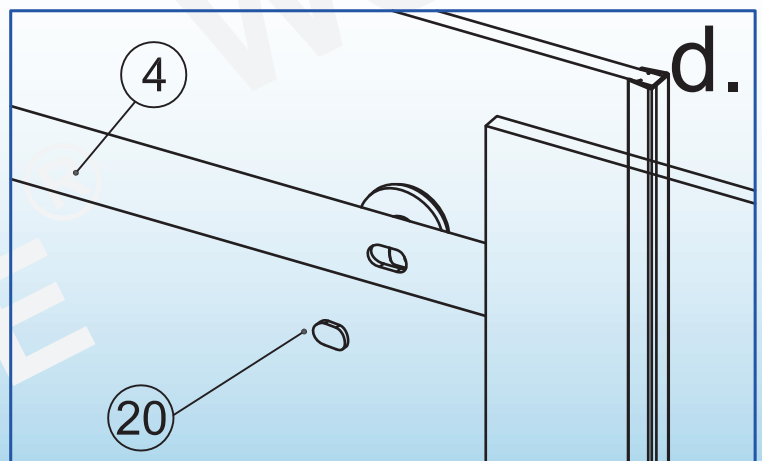
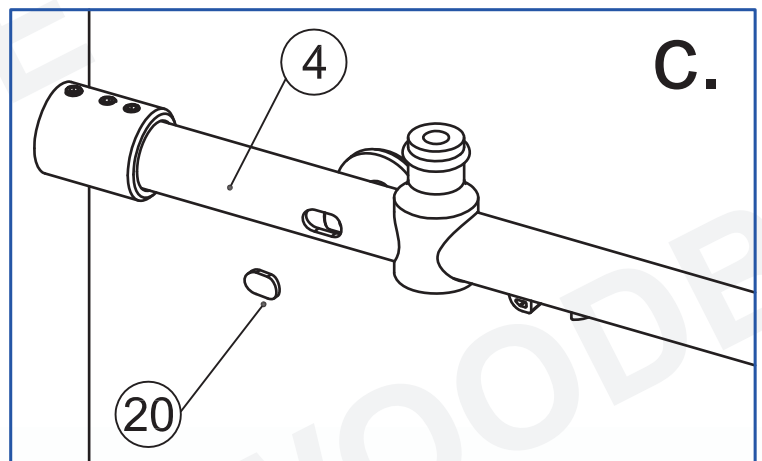


Fig 21

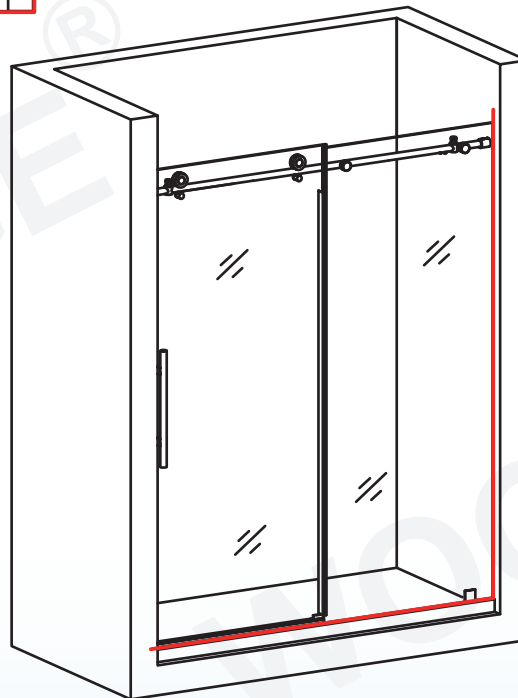


21. Apply silicone sealant on the seams between the stationary glass and the shower base/bathtub, and between the wall and the stationary glass.

See Figure 22 for details.



Fig 22



IMPORTANT:

MUST ALLOW SILICONE TO DRY FOR 24 HOURS BEFORE STARTING USING THE SHOWER ENCLOSURE

Thank you for using WoodBridge products!

Please don't hesitate to contact us if you have any questions or concerns.
Customer Service Phone: 562-229-0088. (Monday - Friday 9 AM - 5 PM Pacific Time)
Or Email: help@woodbridgebath.com

SHOWER DOORS/BATHTUB SHOWER DOOR LIMITED WARRANTY

Woodbridge offers following limited warranty on each of its shower door/bathtub shower door products only to the original purchaser/end user for personal household use. Woodbridge reserves the right to modify this limited warranty at any time, it being understood that such modifications will not alter the limited warranty conditions applicable at the time of sale of the products in question.

Woodbridge recommends that its products be installed by a **fully insured, licensed professional** with experience in the installation of bathroom (specifically shower and tub doors) products. Installation by an inexperienced installer may result in glass breakage and, consequently, may cause personal injury or even death. Installation must be in accordance with the installation manual without any modification. Any deviation from the installation manual shall VOID THE WARRANTY.

Woodbridge warrants

- The seal strips/bumper strips, hardware components to be free from defects in material and workmanship under normal household use **for limited 1 (One) year warranty** from date of purchased.
- The glass components to be free from defects in material and workmanship under normal household use **for limited 1 (One) year warranty** from date of purchased.

Woodbridge DO NOT warrant following:

- Finish of the hardware component due to the nature of plating and distressing processes, each production lot of these finishes varies slightly in brightness and tone. Some degree of inconsistency between items should be expected. We cannot guarantee an exact finish match between items.
- The safety film and ultra lux coating on glass panel as they will aged and faded after times of use but will not affects the functionality of it.
- The safety film on glass panel with cosmetic imperfection (scratches and changes in appearance of the adhesive due to dirt or other contaminates) which will not affect the functionality of it.
- **Glass door for scratches, chips, water spots, breaking or any other damage after installation.**

This limited warranty extends for the designated period as long as the product remains in use in its original place of installation. This limited warranty applies only to Woodbridge products purchased from an authorized dealer in the United States or Canada.

This limited warranty EXCLUDES all industrial, commercial, and business usage. Proof of purchase (original sales receipt) from the original purchaser, Description and pictures of defect, model number or model description must be provided to Woodbridge Bath for all warranty claims and Woodbridge Bath is NOT responsible for any labor cost, removal, or installation costs.

This limited warranty shall not apply to goods which have been subject to accident, negligence, improper installation, product abuse, product misuse, or use of cleaners containing abrasives, alcohol, or other organic solvents, whether performed by a contractor, service company, or yourself, are excluded from this warranty.

This warranty does not cover surface damaged caused by use of chemicals that break through or dissolve the surface finish or damage caused by the accidental dropping of sharp or heavy objects. Improper care and use of abrasive cleaners and will void the warranty.

RESPONSIBILITIES OF OTHERS

Inspecting the unit prior to installation is the responsibility of the installer or building contractor who acts on behalf of the user. They are responsible for ensuring the unit is free of defect or damage. Notices are placed on the unit and on the shipping, carton advising the installer of this responsibility. In the event of a problem, the unit must not be installed. Woodbridge is not responsible for failures or damage that could have been discovered, repaired, or avoided by proper inspection and testing prior to installation.

Damage occurring in transit is the responsibility of the carrier. The user or installer MUST open the crate and inspect the unit for damage when it is delivered. If damage is discovered, it must be reported immediately to the seller and the carrier in writing, and an inspection requested. Failure of the carrier to respond should be reported to the seller and the carrier. Your freight claims should be filed promptly thereafter.

DISCLAIMER

Except as expressly provided, there shall be no warranty or obligation, express or implied, oral or statutory. No dealer or other person has the authority to make any warranties or representations concerning or its products. In no event shall be held responsible for any such warranties or representations.

Some states/provinces do not allow limitations on how long an implied warranty lasts, or the exclusion on limitation of special, incidental, or consequential damages, so these

WOODBIDGE[®]

limitations and exclusions may not apply to you. This warranty gives you specific legal rights, you may also have other rights which vary from state/province to state/province.

To obtain warranty service and replacement part, please send e-mail to Woodbridge Customer Service with the original receipt information, Woodbridge will determine whether to repair or replace your product, issue a refund, or issue a credit.

WOODBIDGE

15600 Blackburn Ave,
Norwalk, CA 90650

(Monday – Friday 9 AM – 5 PM PST)

Email: help@woodbridgebath.com (Prefer by email)

Customer Service Number: 562-229-0088

www.woodbridgebath.com

10-12-2021 Rev.