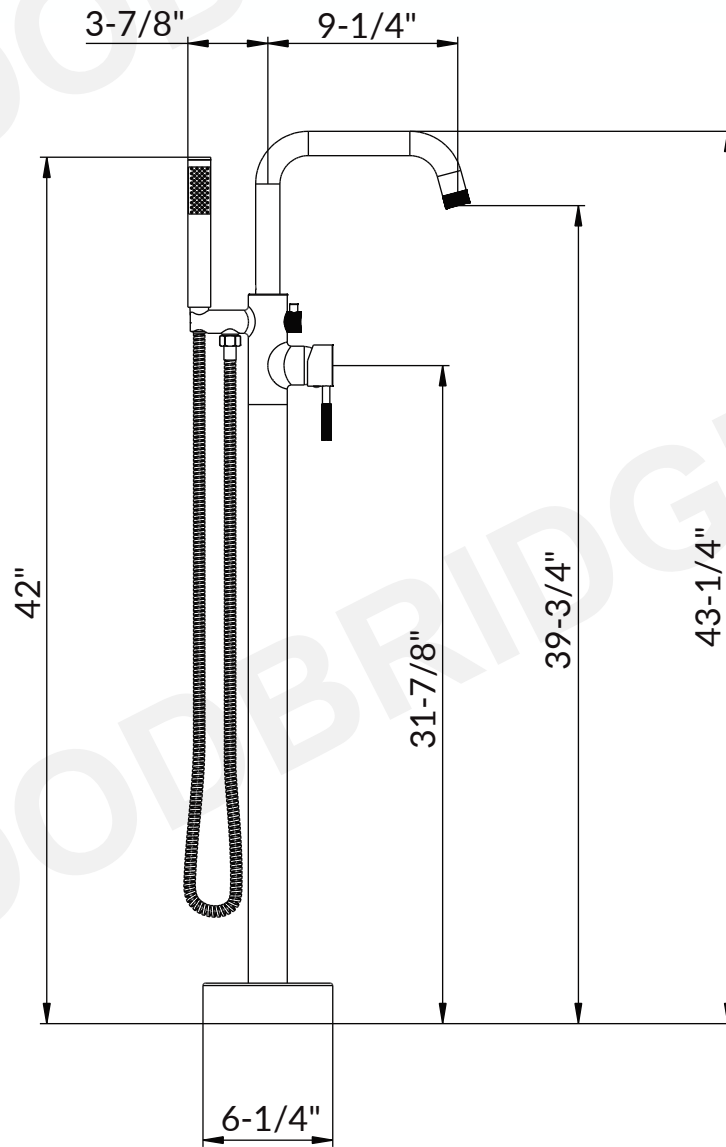


PREPARATION FOR INSTALLATION



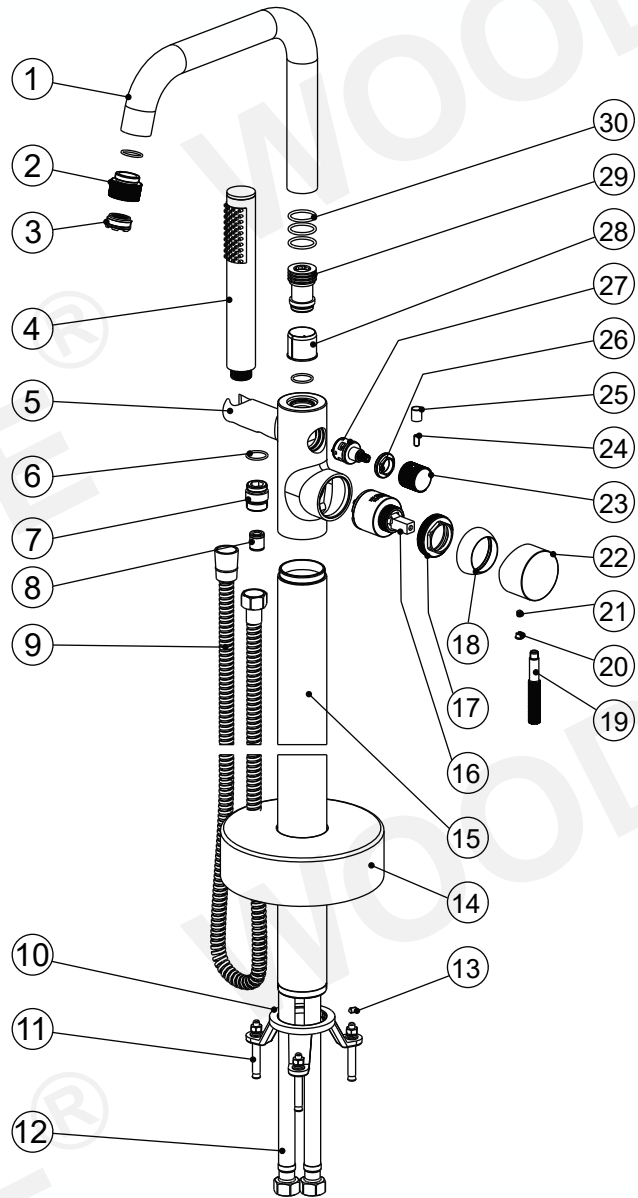
ATTENTION! Dimensions may vary by up to 3/8". It is highly recommended to get all dimensions of actual model for installation and measuring purposes.

ATTENTION! Measurements in inches are rounded to the nearest 1/8".

TECHNICAL DATA

Max spout flow rate 4.5 GPM at 80 PSI
 Max hand shower flow rate 1.8 GPM AT 80 PSI

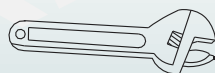
No	Component
1	Spout Pipe
2	Aerator House
3	Aerator
4	Spray Head
5	Faucet Body
6	O-Ring
7	Joint
8	Check Valve
9	Shower Hose
10	Triangle Pod
11	Explosion Screw
12	Flexible Hose
13	Screw
14	Base Cover
15	Faucet Tube
16	Cartridge
17	Press Hat
18	Handle Cap
19	Handle Tip
20	Index Cap
21	Screw
22	Handle Cover
23	Handle Cover
24	Screw
25	Diverter Handle Tip
26	Press Hat
27	Cartridge
28	Plastic Ring
29	Joint
30	O-Ring



TOOLS REQUIRED FOR INSTALLATION



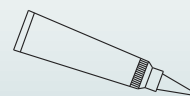
Basin Wrench



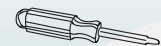
Adjustable Wrench



Teflon Tape



Silicone Sealant



Screwdriver

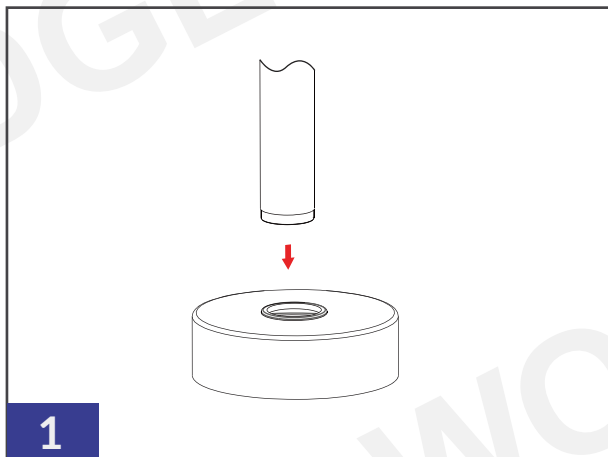
OTHER TOOLS MAY BE REQUIRED

INSTALLATION INSTRUCTIONS

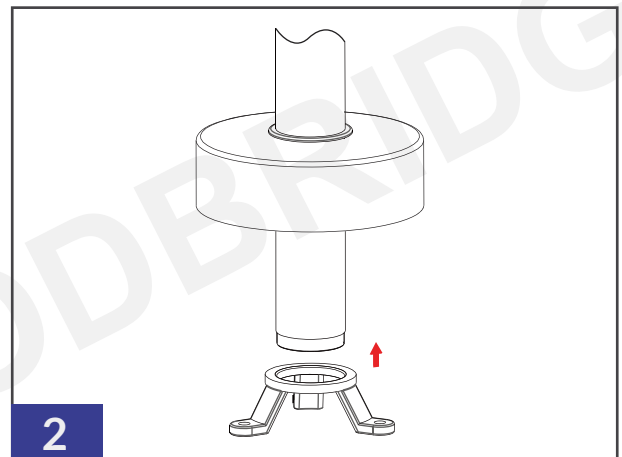
INSTALLATION INSTRUCTIONS FOR FLOOR MOUNT TUB FILLER FAUCET

BEFORE BEGINNING INSTALLATION:

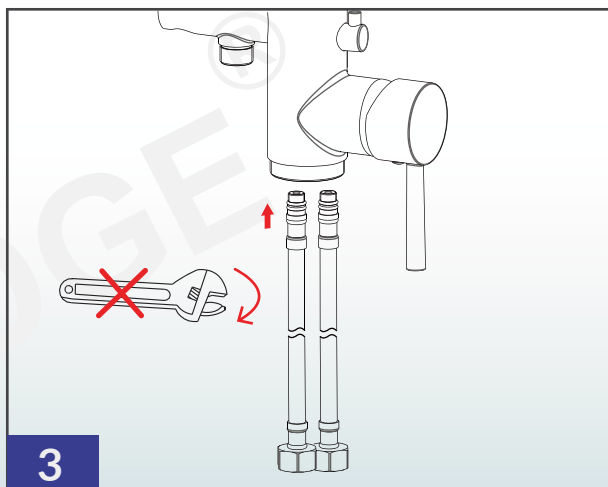
1. Open the package and inspect the faucet for any defect or missing parts prior to installation.
2. This faucet should be located away from traffic areas; impact both by foot traffic or floor cleaning equipment may damage the faucet and might cause a leak which result in water damage.
3. Please read this installation instruction throughhly, make sure that you have all the required tools and supplies needed to complete this installation.
4. Due to the applicationa and design of this faucet, extensive consideration should given to its installation.
5. Flush all supply lines prior to installation.
6. Shut off both HOT and COLD supply line after flushing.



Step 1: Insert the faucet tube into the base cover.

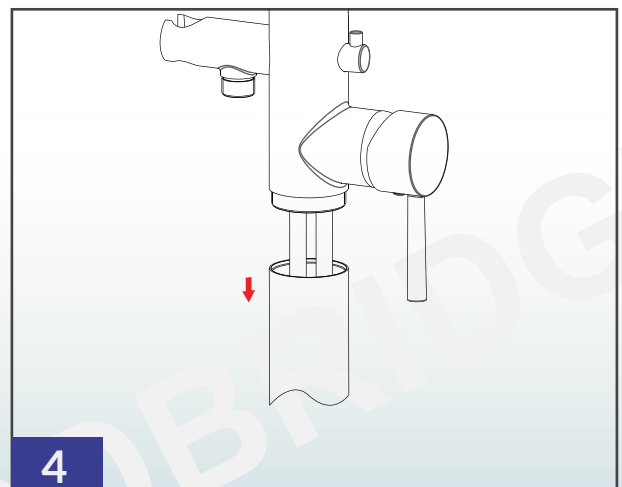


Step 2: Thread the tube onto the mounting tripod.

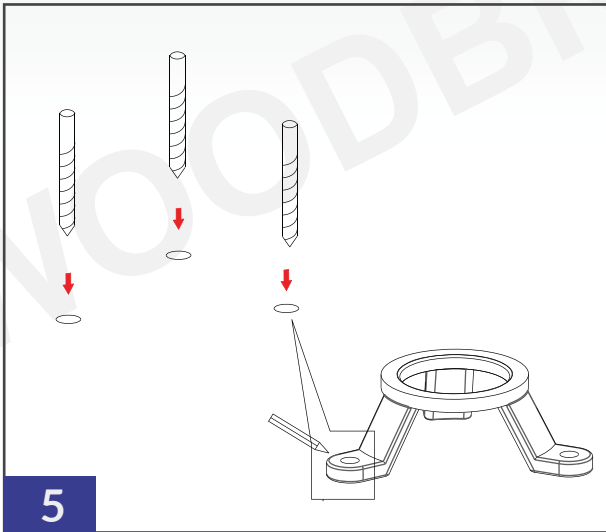


Step 3: Hand tighen the hot and cold flexible water supply line onto faucet body.

DO NOT USE wrench or Spanner to tighten as it could damage the O-Ring on the supply lines. The flexible supply line are to be fitted onto correct inlets for Hot and Cold water.

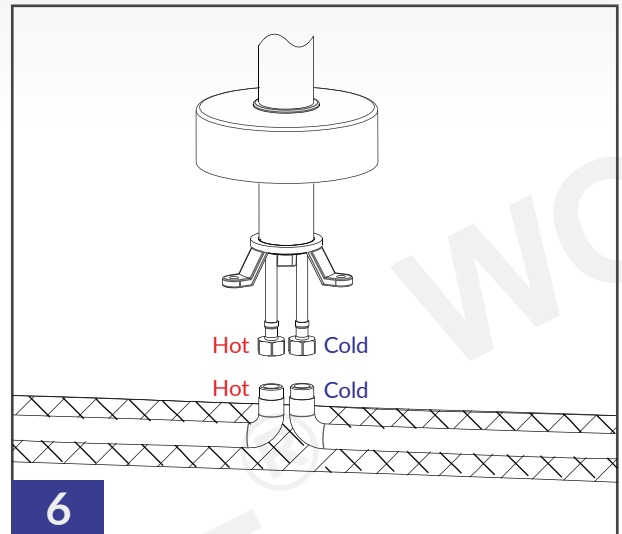


Step 4: Insert faucet body assembly onto the faucet tube from the top and hand tighen it. Make sure the flexible water supply lines go through the tube smoothly.



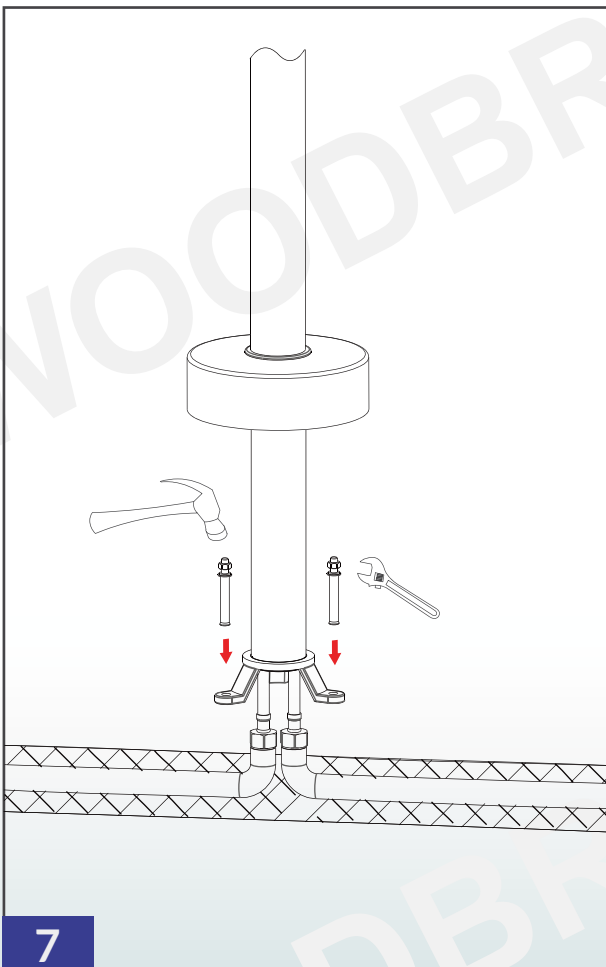
5

Step 5: Secure the mounting tripod onto the floor using the attached mounting screws.



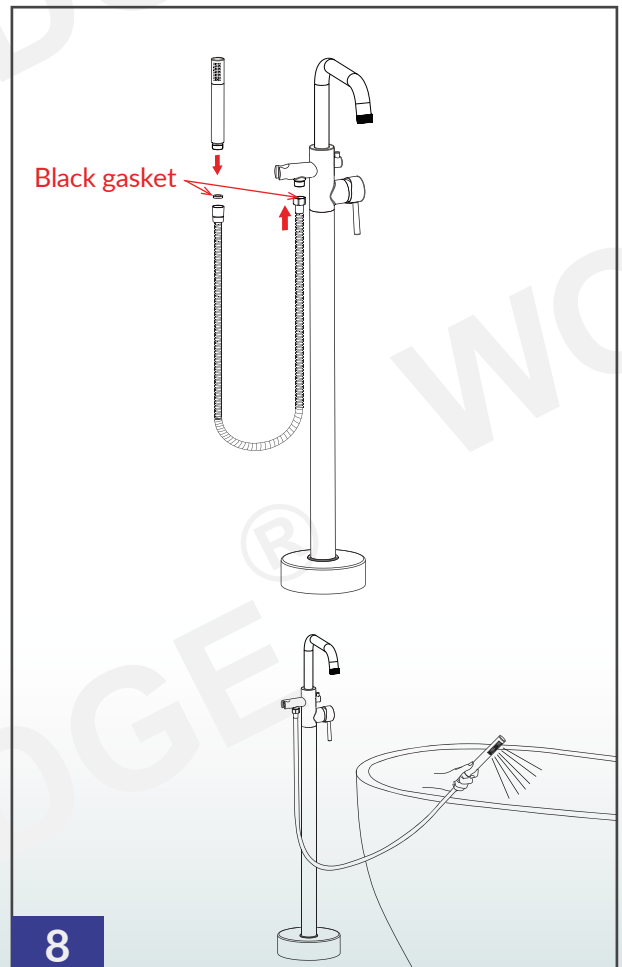
6

Step 6: Locate the faucet assembly onto the rough valves from floor, and secure the connection of inlet supply lines to the valves. DO NOT reverse the Hot and Cold supply.



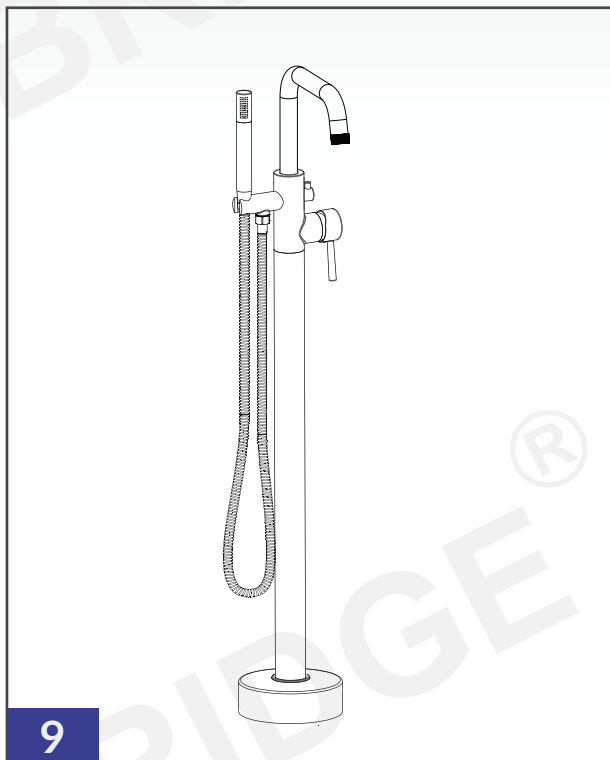
7

Step 7: Use the explosive screw to fix the base on the floor and place the base cover over the valve.

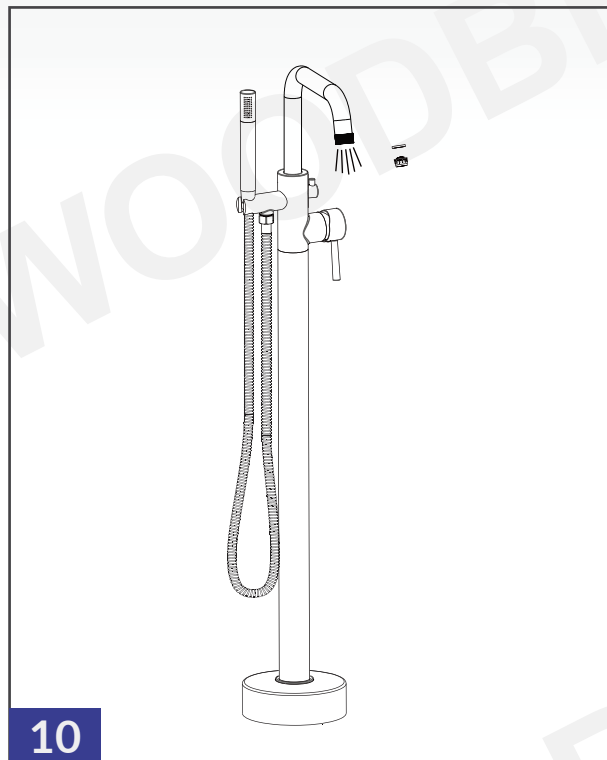


8

Step 8: Make sure the black gasket is in the hose end with flats, thread hose onto outlet and tighten it. Turn the supply lines on and turn the handle to full operate position, hold the hose inside the tub and let it flush for one minute.



Step 9: Install hand held shower to the hose and check for any leak between hose connection and hand held shower



Step 10: Remove the aerator from the spout (if any) and switch the diverter from hand held shower to spout mode and let both hot and cold water flush for one minute to clear any debris from water lines. Replace aerator and faucet is ready to use.

MAINTENANCE TIPS FOR SPECIAL FINISHES.

Brushed Gold, Matte Black and Oil Rubbed Bronze finish are considered living finish and as such color change are part of the living finish behavior. Their lacquers are affected by pollutants, temperature extremes and household cleaning solutions. We want to ensure that you get a long-lasting performance faucet from Woodbridge, therefore special care and periodic waxing should be taken starting from the time the fixture's installed. Please read the following care instructions carefully and keep this maintenance card.

DO'S

- Use only a silicone-based caulking such as poly seam seal on installation.
- Wipe the faucet dry after each use.
- Clean only with non-abrasive cleaning products, since are products are non-porous you will only need a mixture of mild non-abrasive soap and water such as dish washing.
- If desired you periodically can apply a light coating of carnauba wax, spray carwax; this will prevent the accumulation of mineral deposits on the surface of your faucet.
- Periodically remove aerator and clean any debris accumulated as this will reduce the flow of water.

DON'TS

- Do not use any abrasive cleaners or cleaners containing ammonia, bleach, acids, alcohol, solvents or other products not recommended for metallic finishes on cleaning the faucet.
- Do not let water accumulate on the fixtures surface as the mineral deposits will dull the finish.

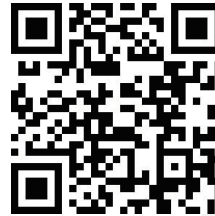
WARNING !

DO NOT LEAN ON, STEP ON OR USE THIS FAUCET AS A SUPPORT TO GET IN AND GET OUT FROM THE TUB.

Retain these installation instructions for future reference!

Thank you for using WOODBRIDGE products!

WOODBRIDGE®
15600 Blackburn Ave,
Norwalk, CA 90650 USA



Please don't hesitate to contact us if you have any questions or concerns.

Customer Service Phone: 562-229-0088. (Monday - Friday 9 AM - 5 PM Pacific Time)

Or Email: help@woodbridgebath.com