

INSTALLATION AND CARE GUIDE

WOODBIDGE[®] MODERN ALCOVE[®] BATHTUB

BS5430R BS5430L
BS6030R BS6030L
BS6032R BS6032L

Certified to the following Codes & Standard:

- UL 1795 Safety Standard for Hydromassage Bathtubs (UL1795)
- ASME A112.19.7 / CSA B45.10) – Hydromassage Bathtub Systems
- CSA B45.5/IAPMO Z124 – Plastic Plumbing Fixtures
- International Plumbing Code[®] (IPC)
- International Residential Code[®] (IRC)
- Uniform Plumbing Code[®] (UPC)
- National Plumbing Code of Canada[®] (NPC)



READ ALL INSTRUCTIONS BEFORE UNPACKING THE PRODUCT

INSTRUCTIONS THAT, IF IGNORED COULD RESULT IN DEATH OR SERIOUS INJURY CAUSED BY INCORRECT HANDLING OR INSTALLATION OF THE PRODUCT. THESE INSTRUCTIONS MUST BE OBSERVED FOR SAFE INSTALLATION.

CAUTION!



**TWO PERSON
LIFT REQUIRED**

**2 PEOPLE ARE REQUIRED TO LIFT AND DURING
ENTIRE INSTALLATION OF THIS PRODUCT**

This products must be installed by a fully insured and licensed plumber only. Installation of any our product by anyone other than fully insured and licensed plumber shall void limited warranty. We recommends that such licensed plumber has experience in the installation of products.

We are not responsible for local code compliance for this product. Building and plumbing codes may vary from state-to-state in accordance to your location. We are not responsible for providing any compliance certifications.

Under no circumstances we shall not be liable for any incidental damages sustained in connection with this product

Neither manufacture, nor distributor, nor retailer is responsible for water damage or flood caused due to use of this product.

Under no circumstances We shall not be liable for any and all fees, cost of installation/reinstallation/removal, subsequent damage or transportation in case of the product defect

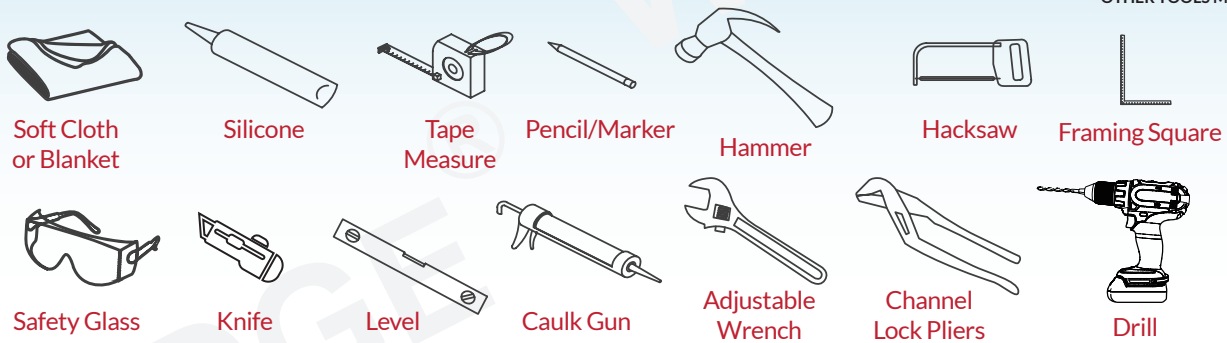
Customer Service Phone: 562-229-0088. (Monday - Friday 9 AM - 5 PM Pacific Time)

Or Email: help@woodbridgebath.com

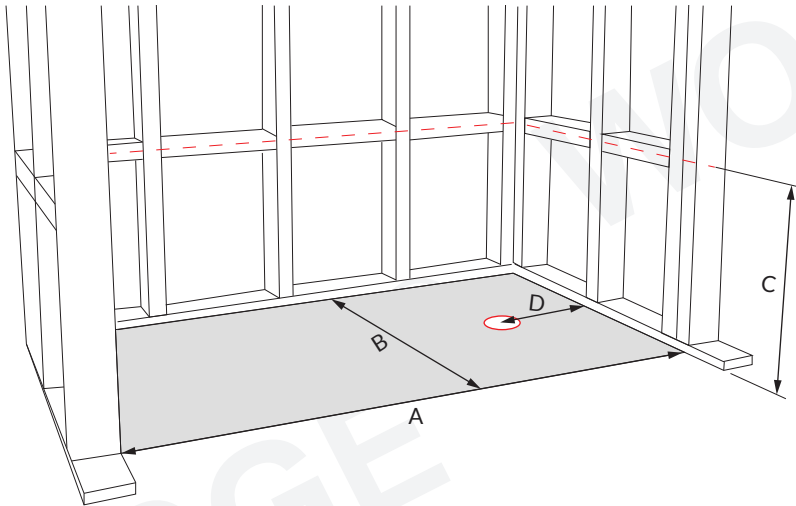
20230618 REV. 1

TOOLS REQUIRED FOR INSTALLATION (NOT INCLUDED)

OTHER TOOLS MAY BE REQUIRED



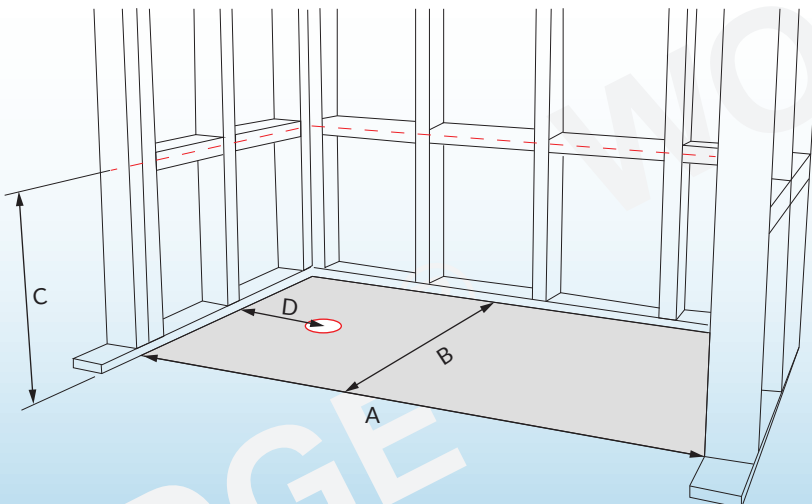
First ensure that the subfloor is level.
If needed, level subfloor with leveling compound or mortar over the entire area of installation.



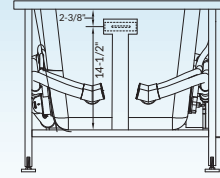
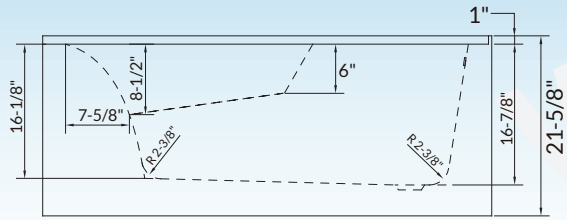
Model	A	B	C	D
BS5430R	54"	30"	21-5/8"	9-7/8"
BS6030R	60"	30"	21-5/8"	10-1/4"
BS6032R	60"	32"	21-5/8"	10-1/4"

Cut subfloor to accommodate plumbing in compliance with local plumbing and building code. Verify your bathtub for final dimensions.

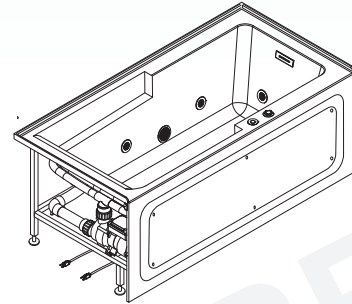
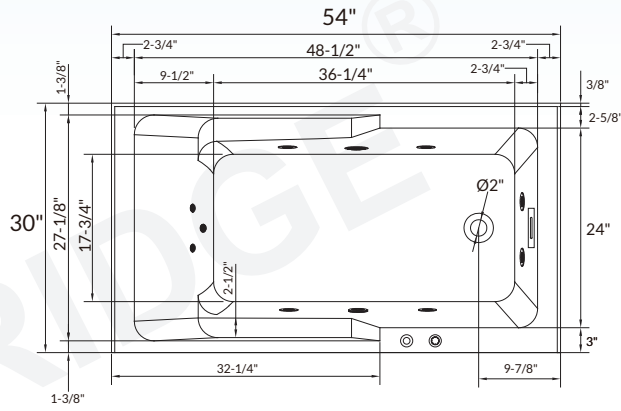
Position bathtub. Verify that the draining pipe location matches the actual location of the bathtub drain. Remove the bathtub.



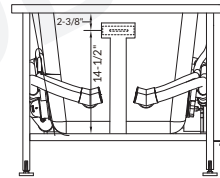
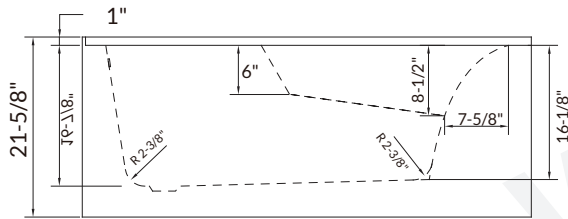
Model	A	B	C	D
BS5430L	54"	30"	21-5/8"	9-7/8"
BS6030L	60"	30"	21-5/8"	10-1/4"
BS6032L	60"	32"	21-5/8"	10-1/4"



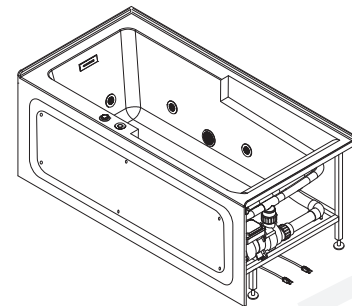
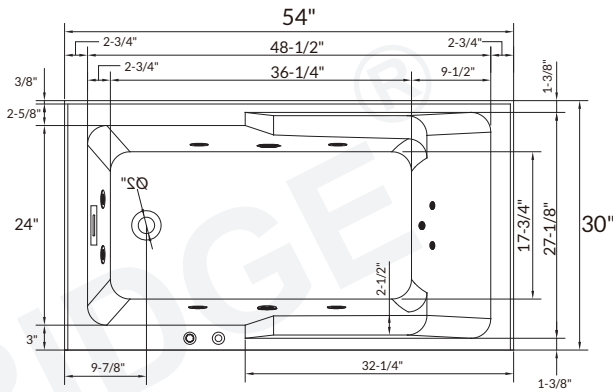
BS5430R



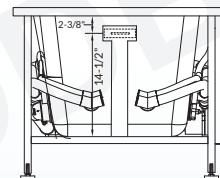
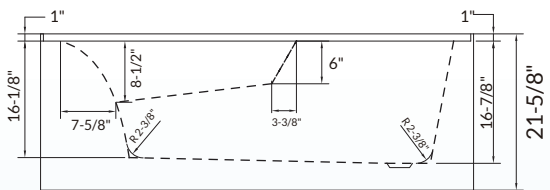
Tolerance on dimensions: $\pm 1/2"$



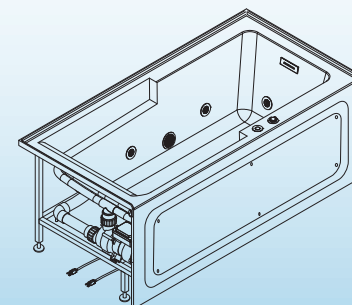
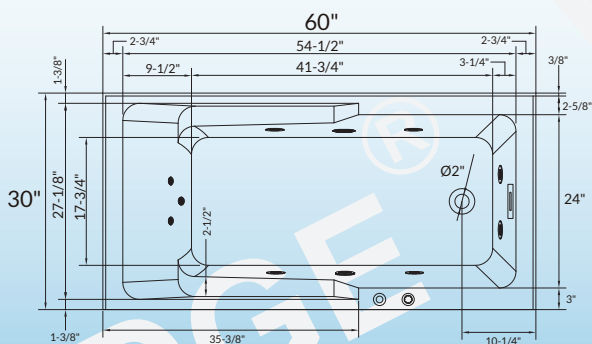
BS5430L



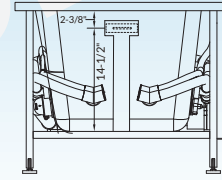
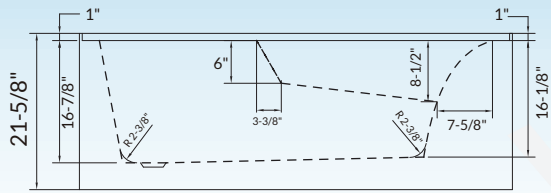
Tolerance on dimensions: $\pm 1/2"$



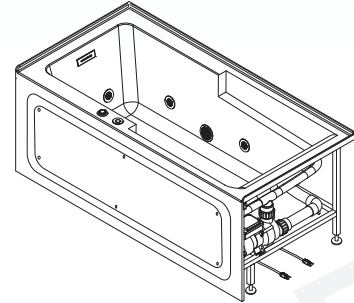
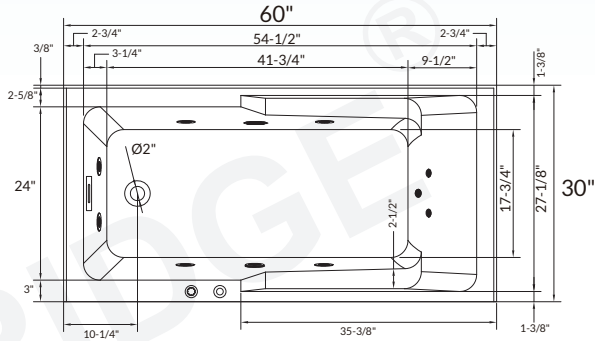
BS6030R



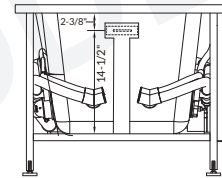
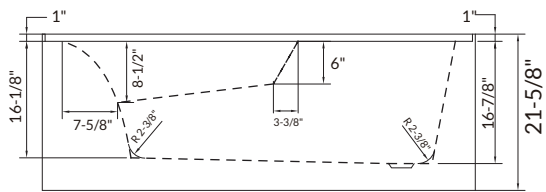
Tolerance on dimensions: $\pm 1/2"$



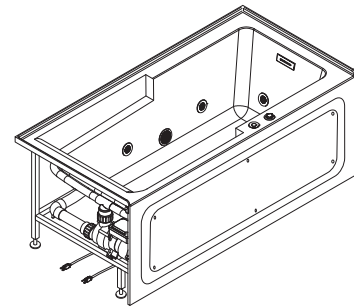
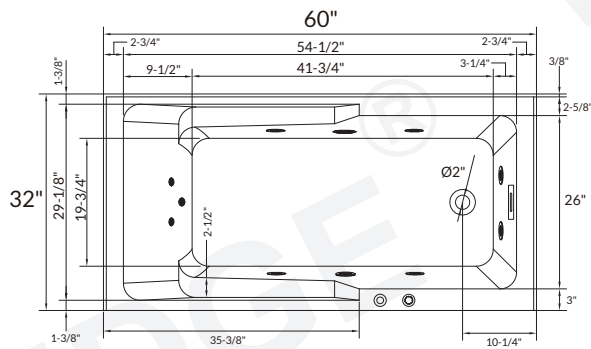
BS6030L



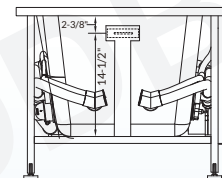
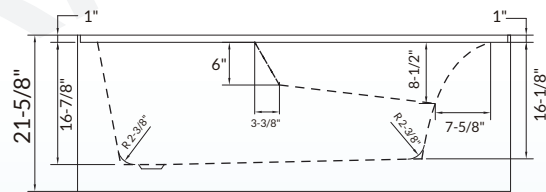
Tolerance on dimensions: $\pm 1/2"$



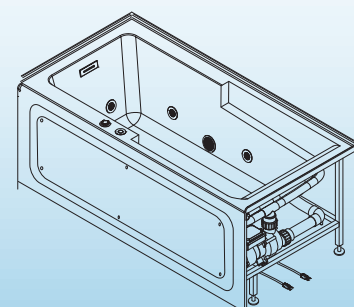
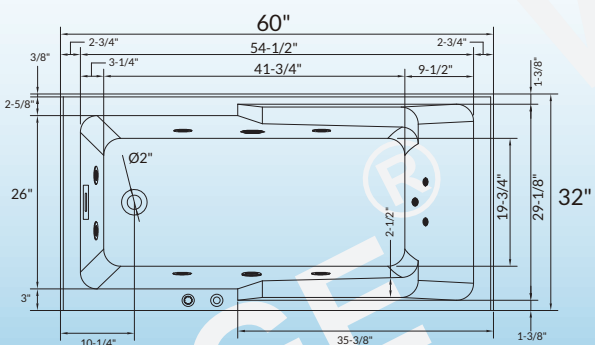
BS6032R



Tolerance on dimensions: $\pm 1/2"$



BS6032L



Tolerance on dimensions: $\pm 1/2"$

Connect Power Supply:

Connect power supply to control unit. The electrical connections must comply with local authority regulations and must be done by an authorized electrician.

Fill bathtub with water to approximately 40 mm above the jets and trial run pump for 10-15 minutes. Check all the fittings for leaks and test the control functions. Switch off the spa pump and leave the unit filled with water (pump is not running) for at least another two minutes. Check the pump and pipes union connections for leaks. Hand tighten union connections if required.

IMPORTANT: Your bathtub has been factory tested and approved. It is the responsibility of the installer to test run the bathtub, check all the fittings for leaks and test the control functions. **NON OBSERVANCE WILL INVALIDATE FACTORY WARRANTY.**

The unit must be connected only to a supply circuit that is protected by a Ground-Fault Circuit Interrupter (GFCI). Such a GFCI should be provided by the installer and should be tested on a routine basis.

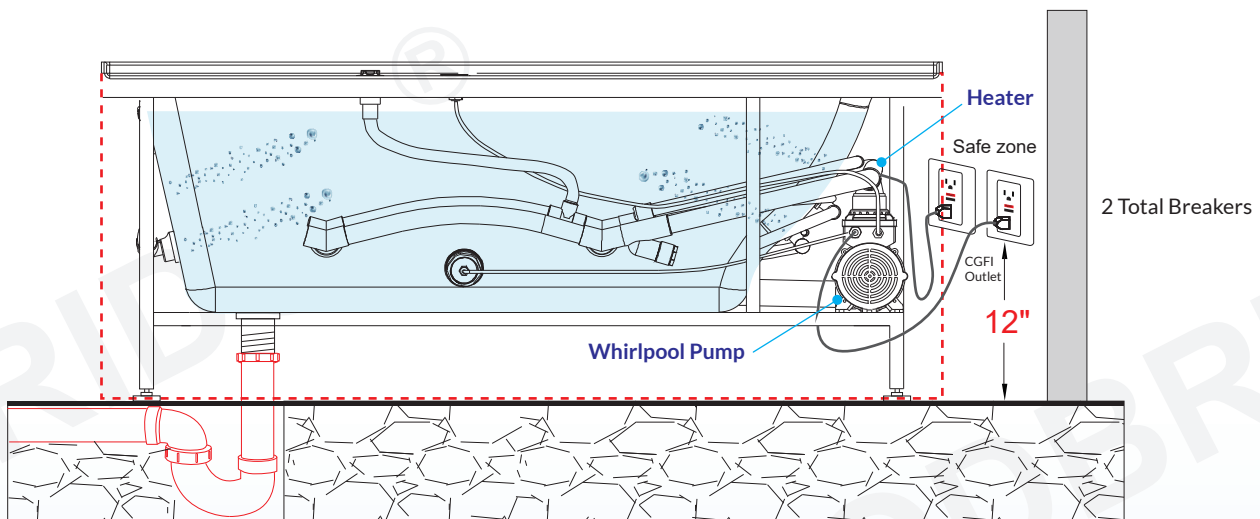
WOODBIDGE® WHIRLPOOL ALCOVE BATHTUB



ELECTRICAL REQUIREMENTS

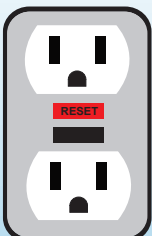


WHIRLPOOL PUMP



safe zone height is 305mm(12")

120V 15AMP
Dedicated
GFCI Breaker



Pump (110V-120V 60HZ 7.5A)
Thermostat Heater (110V-120V 60HZ 13.6A)

In the example above, there are 2 Dedicated 120V 15AMP GFCI Breakers.

1. One (1) Dedicated GFCI Breaker for the Whirlpool Pump
2. One (1) Dedicated GFCI Breaker for the Heater

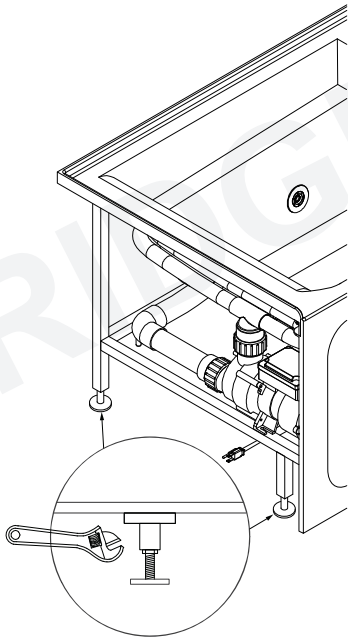
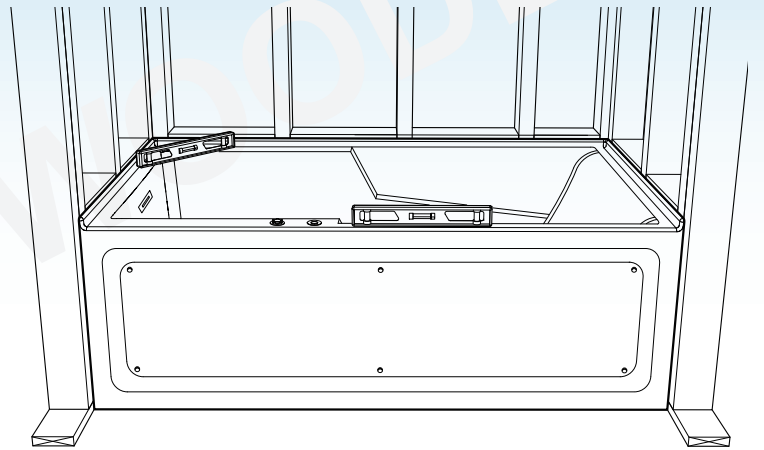
Heater automatically on when pump starts and will automatically heat up to 100°F/38°C

Heater will stop to heating when water temperature reach 100°F/38°C

Each application requires a 120V 15AMP Dedicated GFCI Breaker.

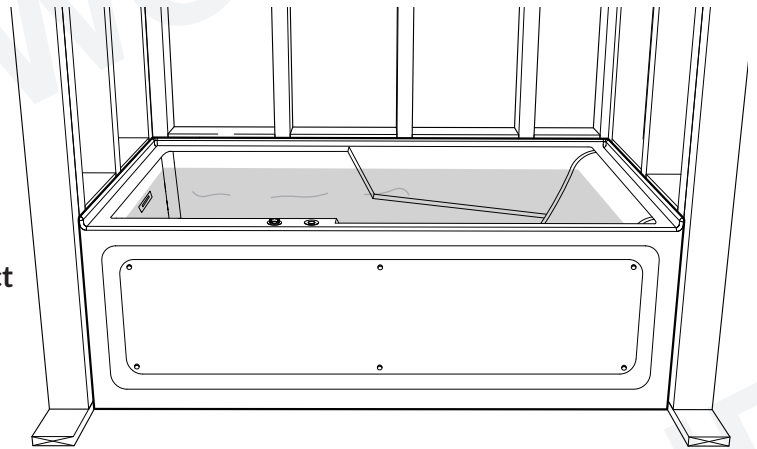
THESE CANNOT BE SHARED

The bathtub can be leveled by adjusting the feet. Check your adjustment with a level



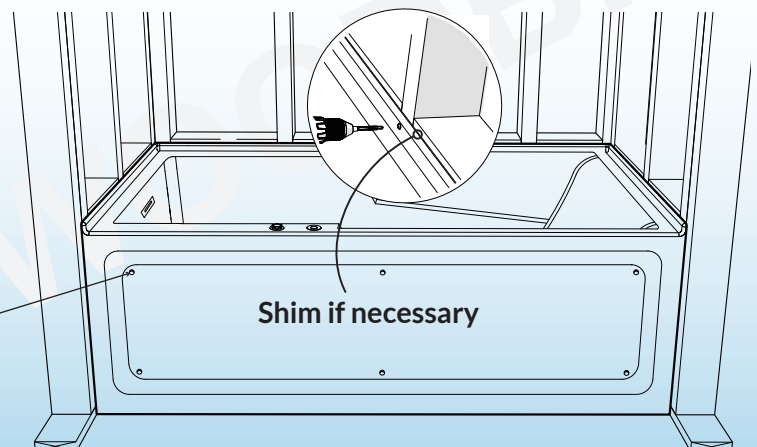
Lock the adjustment by tighten the hexagon nut.

The bathtub must be tested before installation is completed. Fill the tub to the overflow and inspect it for leaks. Tighten any loose connections.

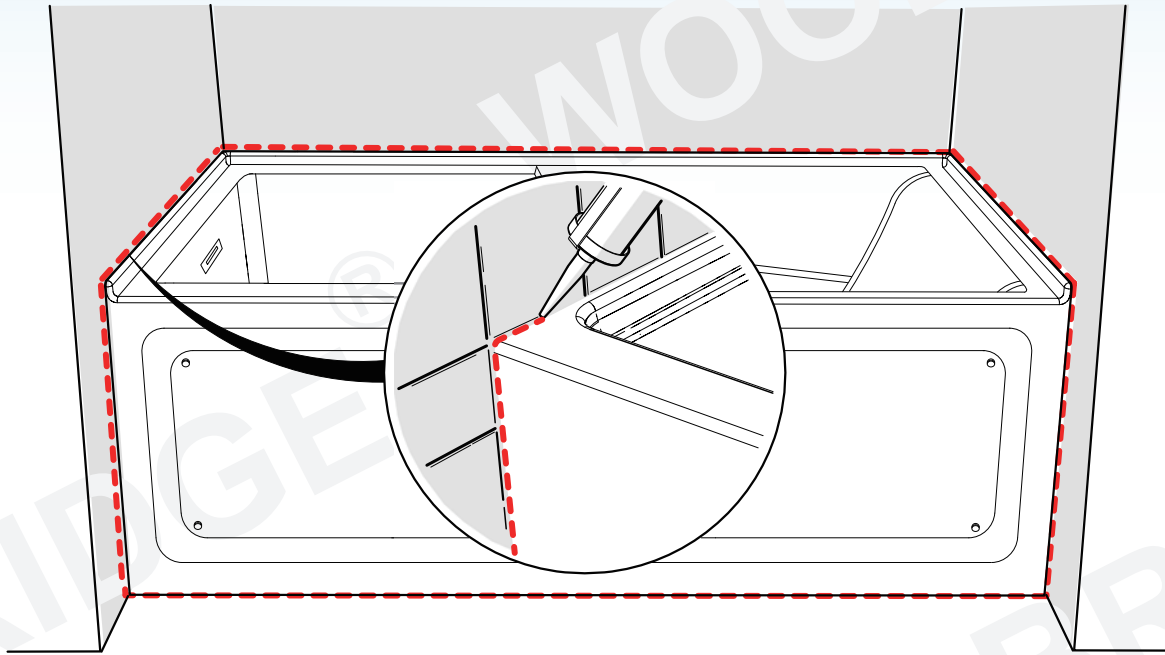


Fasten bathtub to studs framing.

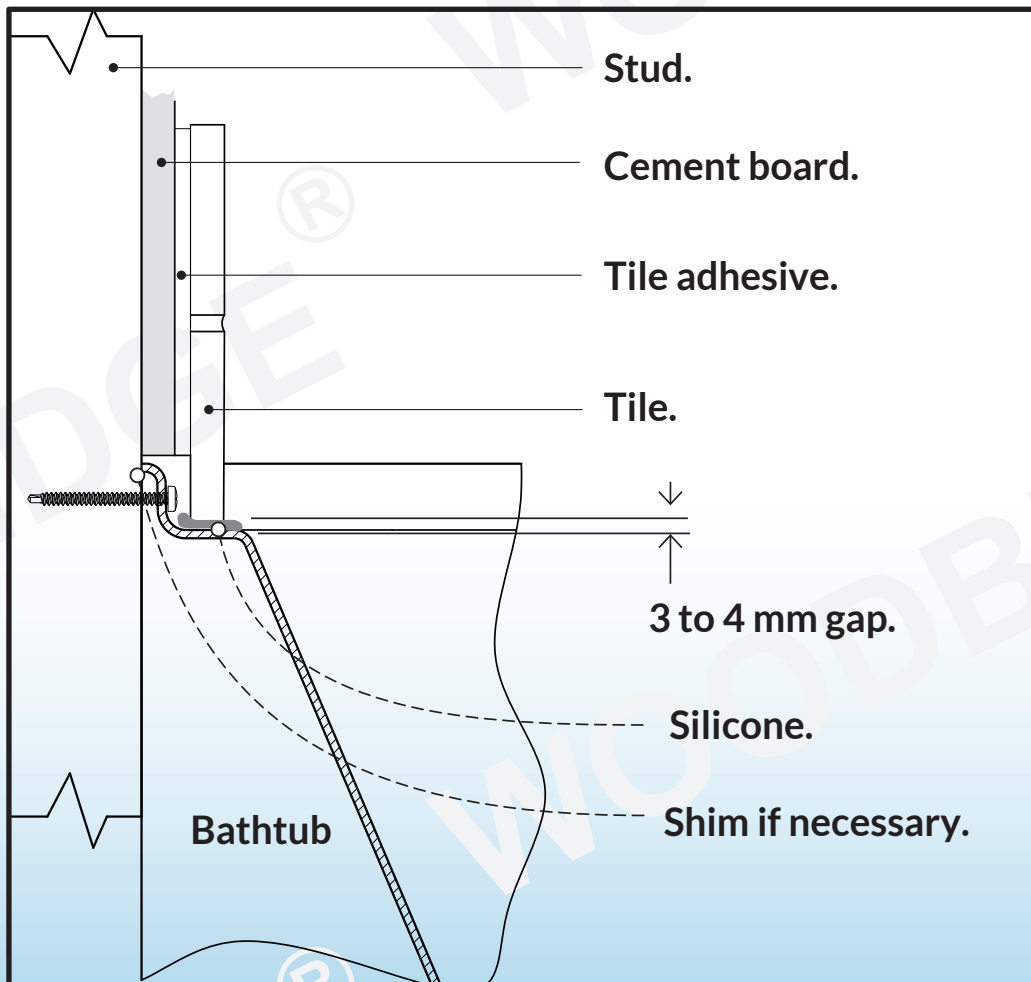
Unscrew 6 screws on apron, remove the apron for any necessary maintenances.



Apply silicone sealant to seal the joints between the bathtub rim and the finished wall.



Reference for Correct Tile Flange Installation . Use drawing below as a reference guide for rough-in measurements.



IMPORTANT SAFETY RULES

ATTENTION! ALWAYS FOLLOW THESE PRECAUTIONS WHEN USING A BATHTUB

- ⚠ Warning** The bathtub must be installed and used as described in this manual
- ⚠ Warning** Use caution when entering or exiting the bathtub
- ⚠ Warning** Do not permit children or persons with infirmities to use the bathtub without supervision of an adult
- ⚠ Warning** People using any medications or having adverse medical history must consult a physician prior to use of the bathtub to avoid potential hyperthermia and possible drowning
- ⚠ Warning** Water temperature over 100°F may cause hyperthermia and/or other health problems. Check water temperature and adjust it for your personal comfort
- ⚠ Warning** Never use bathtub while intoxicated, after taking meals or any alcoholic beverages. Consuming alcoholic beverages before or during bathing will cause drowsiness and may result in hyperthermia, loss of consciousness, or even drowning
- ⚠ Warning** If you are pregnant or you feel that you are may be pregnant, consult your doctor before using the bathtub
- ⚠ Warning** Never use any electrical devices such as hair dryer, lamp, telephone, tv, radio, or others within 5 feet of the bathtub
- ⚠ Warning** Do not overfill the bathtub before enetering. Entering the bathtub when filled will cause overflow and slippery conditions. Use extreme caution when entering and exiting

Care and Cleaning

- Most dirt will wash off with mild soap and warm water.
- For tough spots, use liquid dish washing soap or non-chlorine bleach.
- Do not use abrasive material such steel wool or scouring pads to clean the acrylic surface.
- Always test the cleaning solution on a small area before using it on the entire surface.
- Do not allow cleaning to soak on the acrylic surface.
- Rinse thoroughly with water immediately and wipe dry with soft cloth.

Repair and Maintenance

- Use liquid polish compound such as Gel-Gloss Kitchen and Bath Polish(TM) to keep the original shine of acrylic surface.
- Light scratches can be removed with polishing compound for automobiles.
- For deeper scratches use wet sandpaper (1500 grit or higher). Always add water when sanding and lightly sand the area larger than the scratch in a circular motion to remove the scratches. Repeat until the scratch is removed. Use soft cloth and small amount of polishing compound to restore shine. Repeat as needed until surface shine is restored.

IMPORTANT!

DO NOT USE: Abrasive cleaners such as: acid, ammonia, bleach, and simmlar solutions. Use of such solutions may cause corrosion, finish peeling, and/or dull the surface.

DO NOT USE: Abrasive sponges or cloth. Never use steel, wool, or wired brushes that will permanently scratch the surface.

Retain these installation instructions for future reference!

Thank you for using WoodBridge products!

Please don't hesitate to contact us if you have any questions or concerns.

Customer Service Phone: 562-229-0088. (Monday - Friday 9 AM - 5 PM Pacific Time)

Or Email: help@woodbridgebath.com

