

INSTALLATION AND CARE GUIDE

WOODBIDGE[®]

Toilet + Bidet Seat



Compliance with the following Plumbing Codes & Standards:

- 2015 Uniform Plumbing Code[®] (UPC)
- 2018 International Plumbing Code[®] (IPC)
- WaterSense[®] Certified Toilet
- CSA B45.5 / IAPMO Z124-2017- Plastic Plumbing Fixtures



Customer Service Phone: 562-229-0088. (Monday - Friday 9 AM - 5 PM Pacific Time)

Or Email: help@woodbridgebath.com



READ ALL INSTRUCTIONS BEFORE UNPACKING THE PRODUCT

INSTRUCTIONS THAT, IF IGNORED COULD RESULT IN DEATH OR SERIOUS INJURY CAUSED BY INCORRECT HANDLING OR INSTALLATION OF THE PRODUCT. THESE INSTRUCTIONS MUST BE OBSERVED FOR SAFE INSTALLATION.

CAUTION!



TWO PERSON LIFT REQUIRED

2 PEOPLE ARE REQUIRED TO LIFT AND DURING ENTIRE INSTALLATION OF THIS PRODUCT



INSTALLATION OF THIS PRODUCTS BY AN INEXPERIENCED INSTALLER MAY RESULT PERSONAL INJURY OR DEATH!



We reserves the right to change, update, modify, alter, redesign this manual/product or its policies without prior notice!

We shall not be liable for any injuries or property damages in connection with this product during installation or use of this product!

This products must be installed by a fully insured and licensed plumber only. Installation of any our product by anyone other than fully insured and licensed plumber shall void limited warranty. We recommends that such licensed plumber have experience in the installation of products.

Limited warranty is void on any commercial installation

We are not responsible for local code compliance for this product. Building and plumbing codes may vary from state-to-state in accordance to your location. We are not responsible for providing any compliance certifications.

Under no circumstances will we be liable for any and all incidental damages sustained in connection with this product

Neither manufacture, nor distributor, nor retailer is responsible for water damage or flood caused due to use of this product.

Under no circumstances will we be liable for any and all fees, cost of installation/reinstallation/removal, subsequent damage or transportation in case of the product defect

TOILET COMPONENTS

During unpacking the product and prior to installation inspect your new product for any damages or missing parts. Do not attempt to install or operate the product if the product is damaged.



Bowl with lid
x 1



Mounting T-Bolt
x 2



bolt cap decoration
x 2



Bidet Seat
x 1



The plastic piece
x 2



Mounting Screw
x 2



Wax Ring
x 1



Plastic washer
x 2



T-Bolt Nuts and Washers
x 2

TOOLS REQUIRED FOR INSTALLATION



Soft Cloth or Blanket



Silicone



Silicone/ Caulk Gun



Tape Measure



Pencil/Marker



Safety Glass



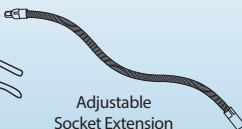
Knife



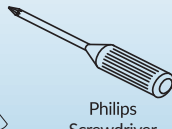
Adjustable Wrench



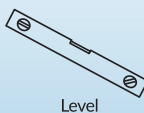
Channel Lock Pliers



Adjustable Socket Extension



Phillips Screwdriver

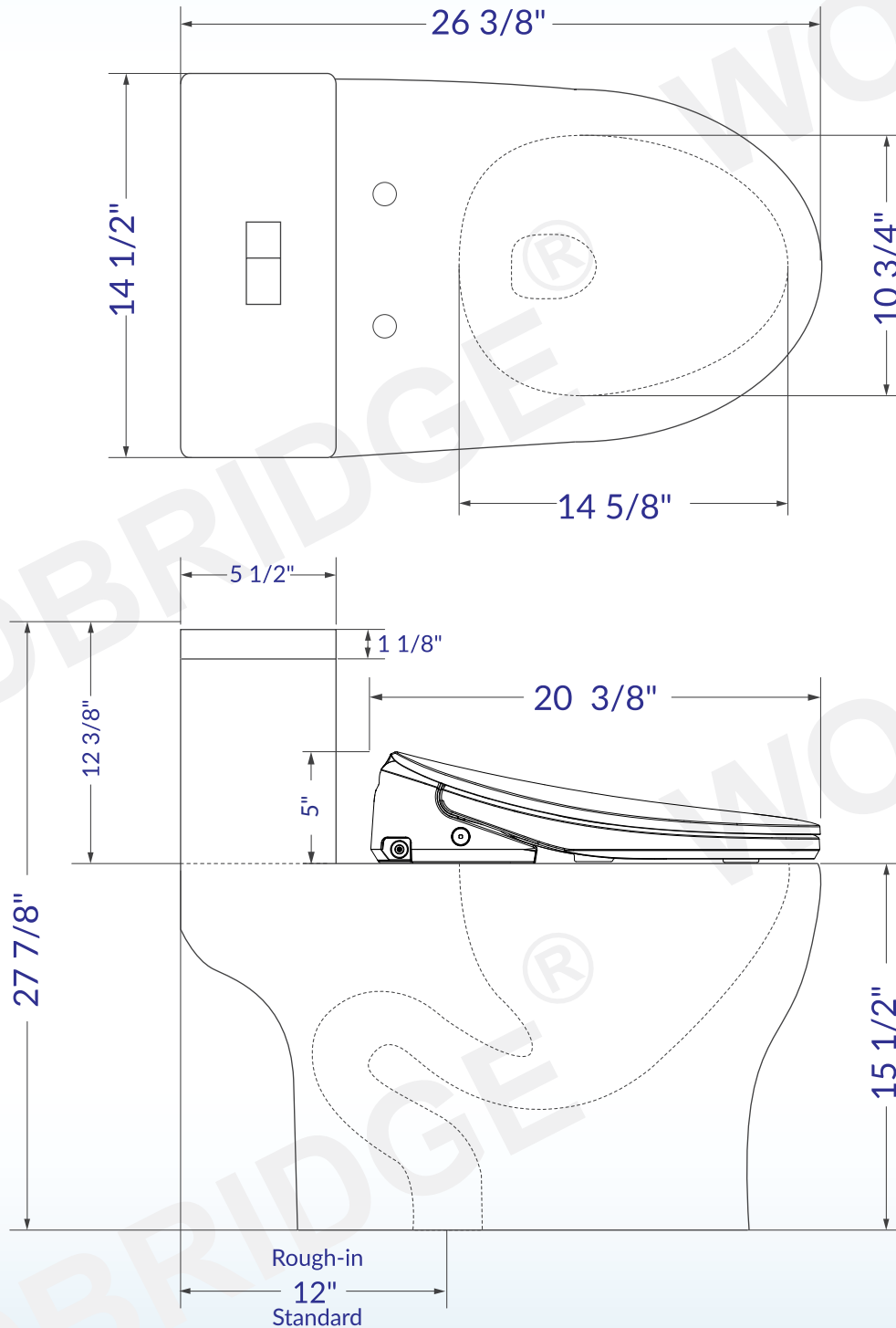


Level



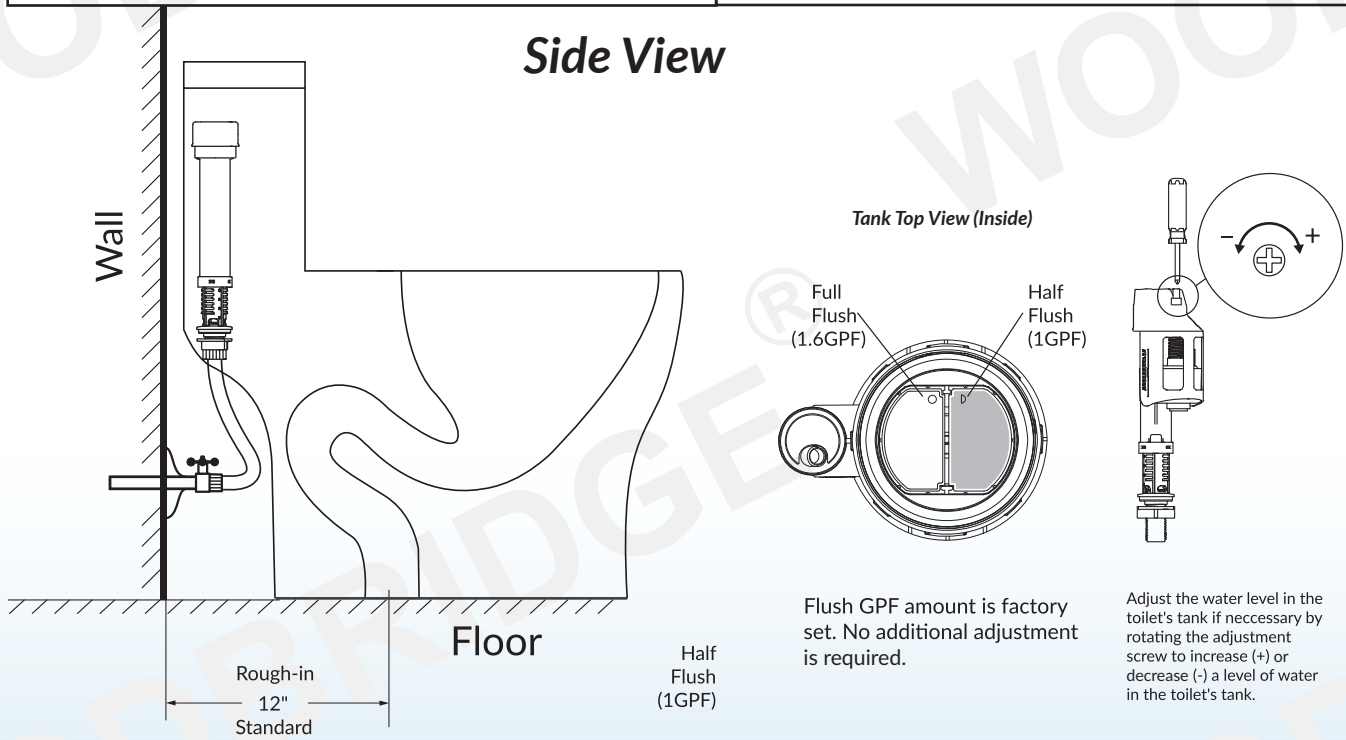
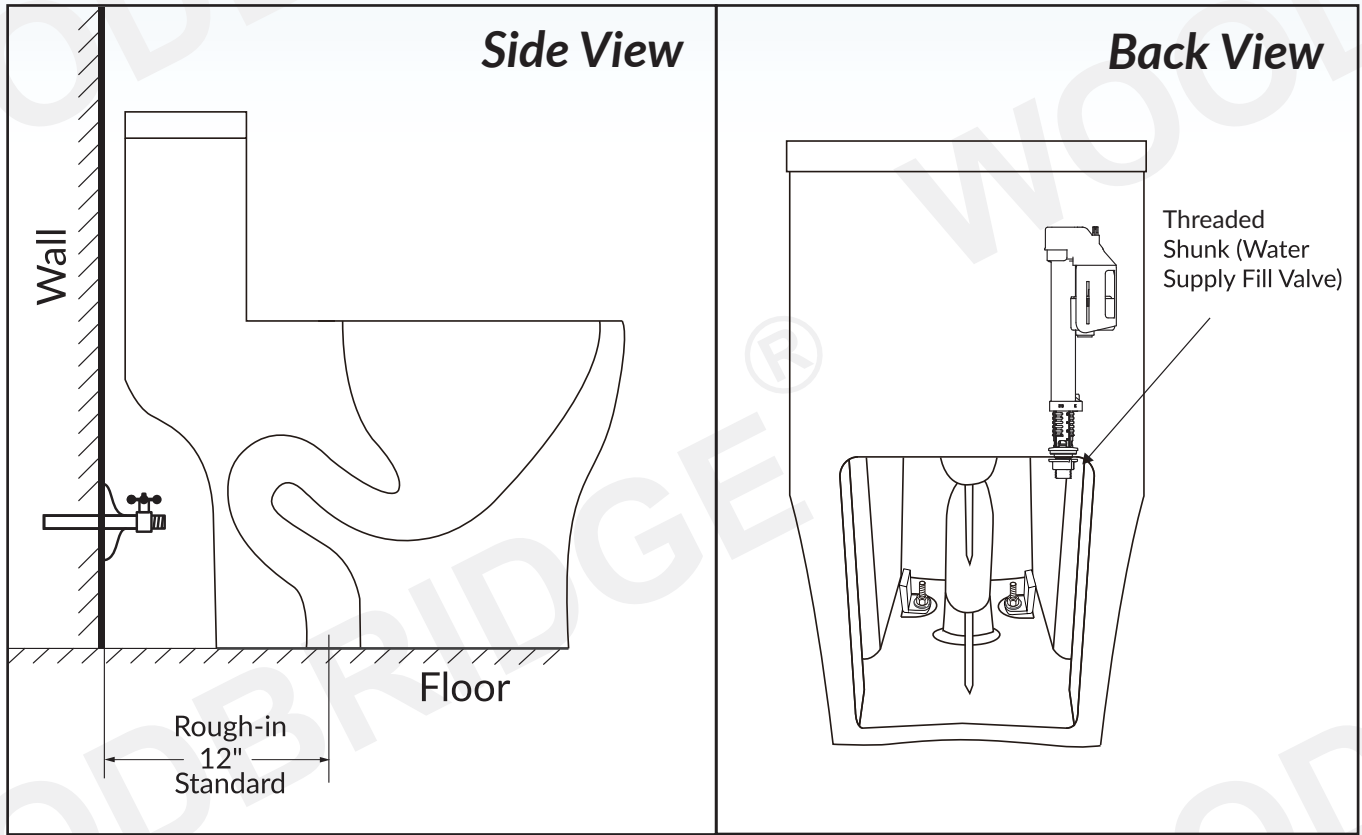
Putty Knife

OTHER TOOLS MAY BE REQUIRED



IMPORTANT INFORMATION

- Measurements are $\pm \frac{3}{8}$ " and subject to change without notice
- Specifications & Configurations are subject to change without notice
- Please measure toilet on-site before installation
- Please note that installer(s) must be certified or warranty will be voided.
- Measurements herein supersede all others published prior to publication date shown below



IMPORTANT INFORMATION

- Measurements are $\pm 3/8"$ and subject to change without notice
- Specifications & Configurations are subject to change without notice
- Please measure toilet on-site before installation
- Please note that installer(s) must be certified or warranty will be voided.
- Measurements herein supersede all others published prior to publication date shown below



IMPORTANT!

Shut off main water supply prior to installation!

REMOVE OLD TOILET

1. Shut off water supply line. If you do not have shut-off valve near the toilet shut off main water supply line.
2. Flush the old toilet and make sure that tank is empty.
3. Disconnect and remove water supply line connected to the toilet's tank.
4. Remove old toilet, bolts, nuts from the closet flange.
5. Clean closet flange area from old wax ring and putty sealant using putty knife from the base area.
6. Clean any remaining debris and wipe any water at the installation area
7. Temporarily plug flange on a floor with a flange plug or towel to prevent gasses from escaping

IMPORTANT! The mounting surface area must be clean, dry, and leveled prior to installation of the new toilet!

NOTE! Inspect the existing closet flange for damages. If damaged, replace it to new flange before proceeding to the installation

PREPARE CLOSET FLANGE

Make sure that rough-in is 12" by measuring the distance from the wall to the center of the closet flange.

See Figure 1

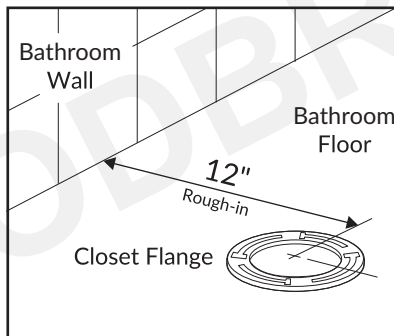


Figure 1

Step 1. Insert 2 floor bolts inside of the toilet flange

Step 2. Slide the closet bolts through the holes and align bolts horizontally.

See Figure 2

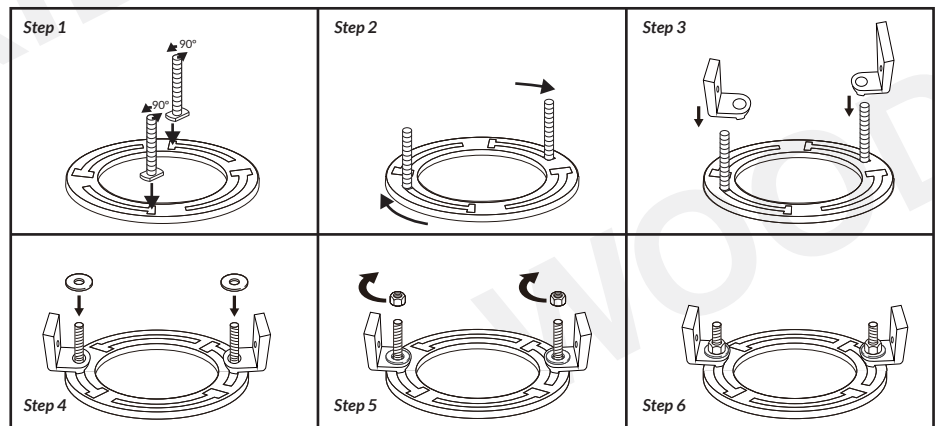


Figure 2

INSTALL WAX RING

Important: safety glasses must be worn by the installer and all bystanders.

Cover the floor with a soft-close blanket. Carefully turn the toilet on it's side or upside-down on the blanket with assistance of a second person. Install wax ring over the horn discharge located on the bottom of the toilet's bowl.

See Figure 3

Note: Ceramic is a fragile material. You must always cover the floor with a soft-cloth blanket if you want to put the toilet on the floor on any side other than the bottom of the toilet. If you do not cover the floor with a soft-close blanket contact of the toilet with the floor may and will cause minor or moderate scratches on the toilet's surface.

Prior to installation the wax ring must be kept in a room temperature between 70-75°F.

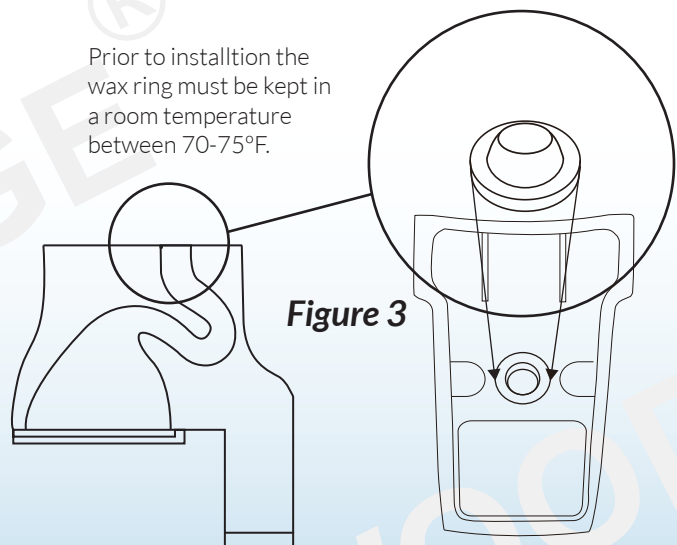


Figure 3



Always Use Soft-Cloth Blanket

CAUTION!



2 PEOPLE ARE REQUIRED TO LIFT AND DURING ENTIRE INSTALLATION OF THIS PRODUCT

INSTALL NEW TOILET

Step 1. Lift and carefully put the toilet over the closet flange so the closet bolts can go through the mounting holes in the toilet's base. Once the bowl is in the position press the bowl down with slight twisting motion in level position towards the floor. Apply your body weight to evenly compress the wax ring to create watertight seal. Make sure that the bowl is as leveled as possible to have a nice seal tight.

Do not rock the toilet back and forth and side to side as it may and will break a seal and you will need to replace the wax ring again and start the installation process over.

See Figure 4

Step 2. Once the toilet is set and leveled install washers and nuts over the closet bolts. Tighten nuts. Do not overtighten the nuts. It may and will cause damage to the toilet's ceramic base.

See Figure 5

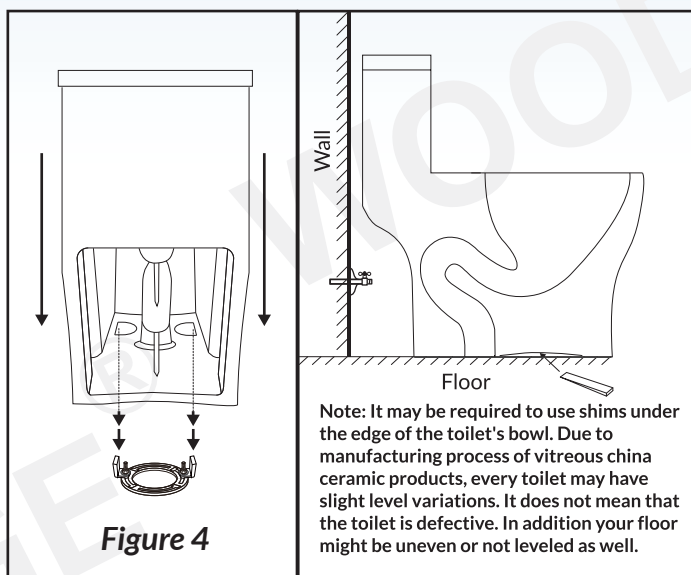


Figure 4

CONNECT TOILET'S TANK TO WATER SUPPLY LINE

Connect the water supply line between the tank and water shut-off valve using a toilet hose (not supplied). When connecting toilet hose tighten coupling nut to the tank by 1/4 turn beyond the hand tight.



Do not overtighten nut on the tank connection. It may and will cause water leakage.

Turn on valve on water supply line and allow tank to fill. Check all connections for leakages and tighten as needed.

Once tank is filled with water flush it 4-5 times to perform a test of the flushing system. At the same time check the bottom of the toilet for leaks to make sure that the wax ring is properly installed and sealed.

If there are no leaks you are ready finalize the installation. If any shims are installed at the bottom of the toilet's bowl you may trim them. Apply silicone around base of the toilet's. Allow 24 hours for silicone to dry before start using the toilet. See Figure 6

Important: Leaks may not occur during or right after the installation. Make sure to check for leaks every couple hours first day installed and occasionally check it everyday for the next week to ensure that toilet is properly installed and no leaks occur. If any leaks occur immediately shut off the water supply line valve and contact your local plumber to fix all leaks.

Important:

Under no circumstances We shall not be liable for any and all incidental damages sustained in connection with this product

Neither manufacture, nor distributor, nor retailer is responsible for water damage or flood caused due to use of this product.

Under no circumstances We shall not be liable for any and all fees, cost of installation/reinstallation/removal, subsequent damage or transportation in case of the product defect

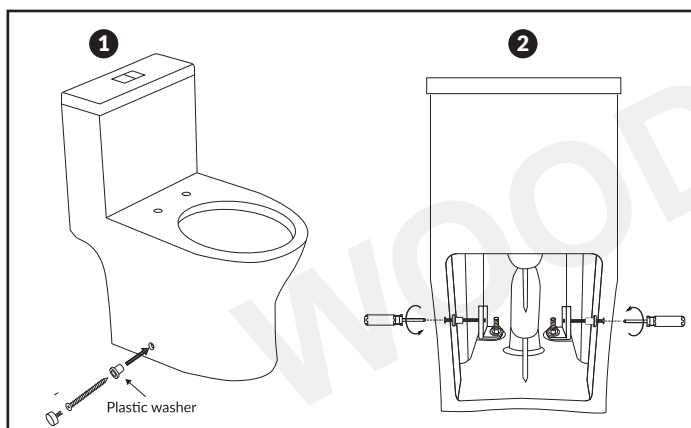


Figure 5

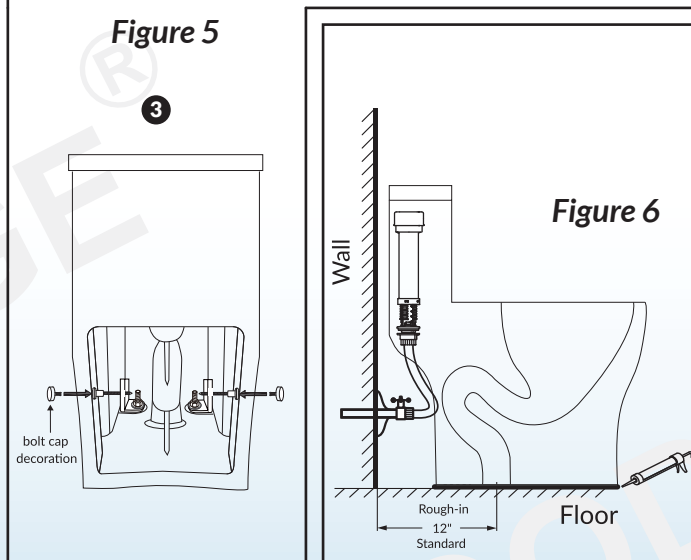
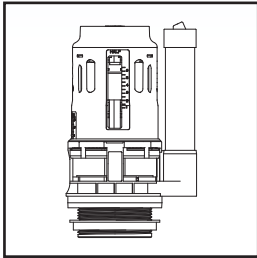


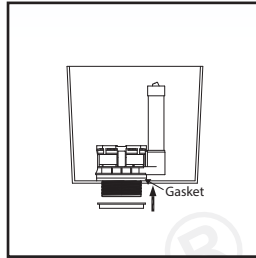
Figure 6

Important Note: Flush GPF amount is factory set. No additional adjustment is required. This page is for reference only. All adjustments are already made by manufacturer.

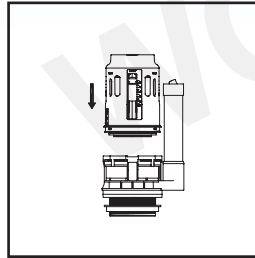
1. BASE INSTALLATION



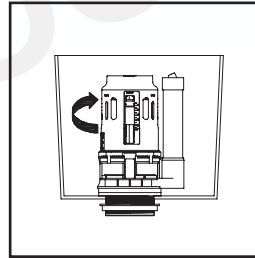
Check the dual flush valve and make sure that it does not have any damaged or missing parts



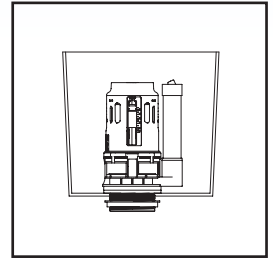
Install the base with the rubber gasket in the tank, turn the screw as illustrated to make sure there is no water leakage and no looseness



Install a body of the flush into the base and make sure they can be rotated clockwise arbitrarily.

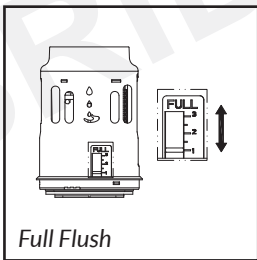


Rotate the valve clockwise to adjust its position inside of the toilet's tank

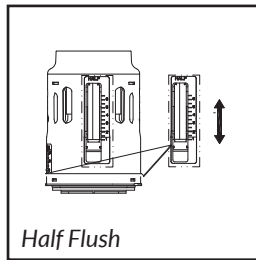


Install the sealing gasket

2. FLUSH VOLUME ADJUSTMENT



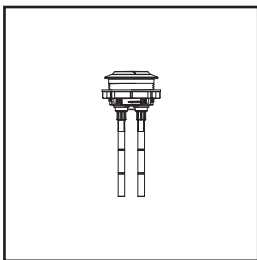
Full Flush



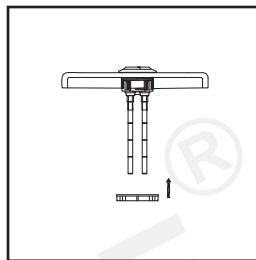
Half Flush

Full flush and half Flush range will decline when the button is moved upward from the bottom

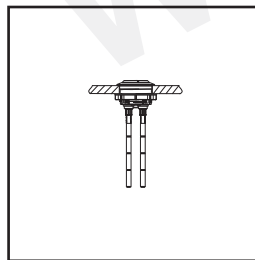
3. PUSH BUTTON ADJUSTMENT



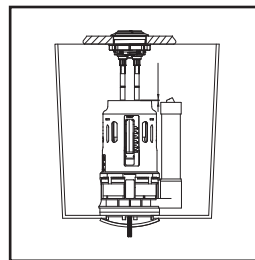
Check the completeness of the product before adjustment



Take out the lock nut and insert the push button into the tank cover

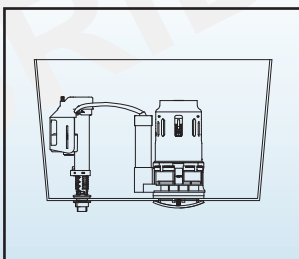


Adjust the push button and lock the nut to make it well-fixed in the tank

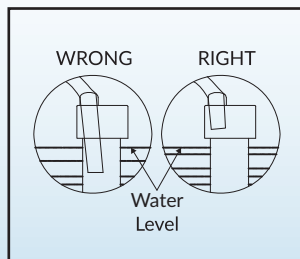


The distance between the rod tail and valve push button must be 1-2mm

4. REFILL TUBE ASSEMBLY

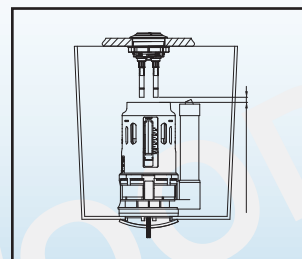


Put the refill tube into the white cap hole firmly

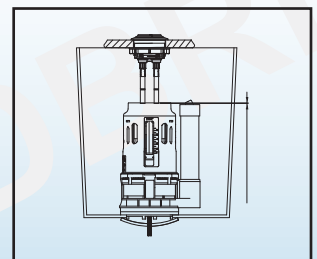


The refill tube can't be lower than the watersealing level

TROUBLESHOOTING

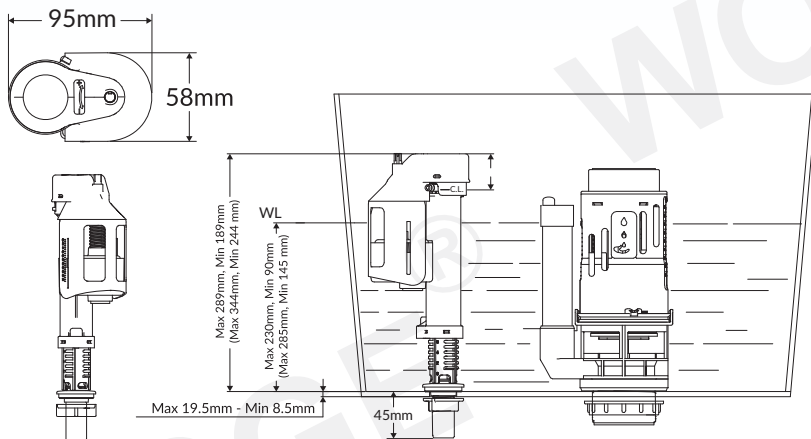


If the rod is too short, please re-adjust it (outward rotation).



If the rod is too long please cut-off the extra length and re-adjust it.

Important Note: Flush GPF amount is factory set. No additional adjustment is required. This page is for reference only. All adjustments are already made by manufacturer.



Instructions:

When valve installed, the critical level mark on fill valve (identified by C.L. mark on valve body) should be at least 1" above top of the over flow pipe.

Required:

- Water temperature: 36-112°F

Important:

Under no circumstances seller shall not be liable for any and all incidental damages sustained in connection with this product

Neither manufacture, nor distributor, nor retailer is responsible for water damage or flood caused due to use of this product.

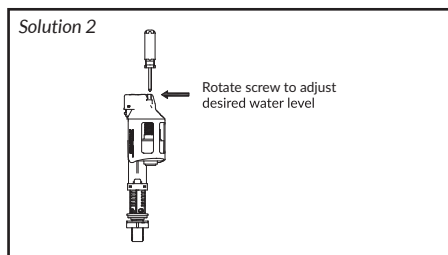
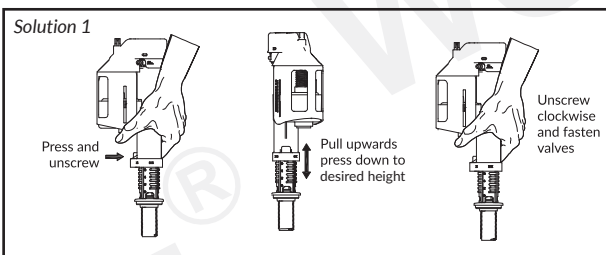
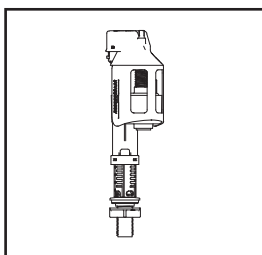
Under no circumstances seller shall not be liable for any and all fees, cost of installation/reinstallation/removal, subsequent damage or transportation in case of the product defect

IMPORTANT: Do not use or drop any chlorine or any other chemicals. Use of chemical products will result in damage to the fill valve and flush valve components and may cause flood and property damage. Do not overtighten bolts/nuts as it may and will cause damage to the toilet parts and componets.

1. PREPARATION

Remove the worn-out fittings and clean your tank prior to the installation of the new ones. There might be a lot of impurities in your tank that may cause damage to the new parts if you do not clean them out. The tank must be absolutely clean prior to installation.

2. WATER LEVEL ADJUSTMENT

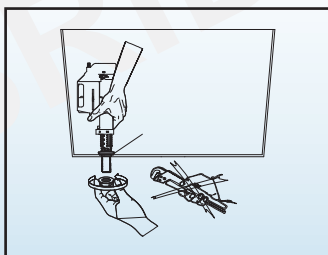


Check the fill valve and make sure that it does not have any damaged or missing parts

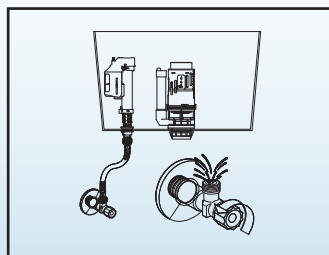
1. Press buckle and unscrew.
2. Pull the valve upwards or press down to desired height.
3. Unscrew the valve body and fasten the buckle

Rotating screw, rise or lower the water level to adjust water level to suitable position (water volume will gradually increase when the adjuster is moved upward from the bottom.)

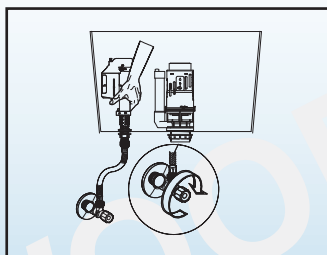
3. FILL VALVE INSTALLATION



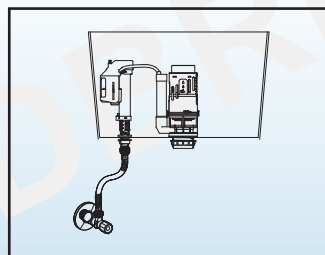
Install the valve into tank. Do not use any wrench tools. Fasten with hand only.



Connect water supply to the fill valve. Turn on water.



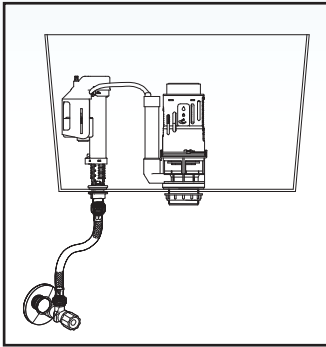
Turn off water supply valve before height adjustment of the toilet's fill valve.



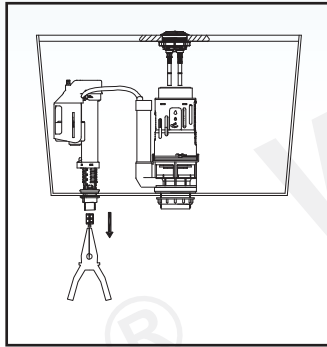
Put the refill tube into the white cap hole firmly.

CLEANING & TROUBLESHOOTING (FILL VALVE)

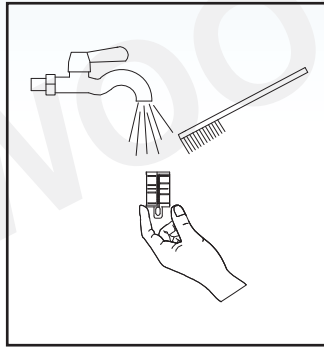
FILL VALVE CLEANING



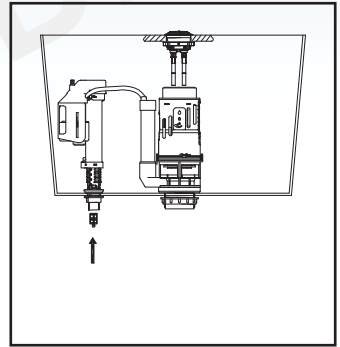
Shut off water supply line before filter cleaning.



Carefully, take out the filter from inlet by using pliers.



Use water to wash and clean the filter and adapter from any debris.



Re-install the filter and re-connect the water supply line.

TROUBLESHOOTING



Issue	Cause	Solution	Solution #4 <div style="display: flex; justify-content: space-around;"> <div style="text-align: center;"> <p>WRONG</p> </div> <div style="text-align: center;"> <p>RIGHT</p> </div> </div> <p>Water Level</p>
Water level is too high or too low	Improper water level adjustment	Adjust the water level	
Fill valve fails to shut off or fails to fill the water into the toilet's tank	<ol style="list-style-type: none"> 1. Inlet valve switch is turned on. 2. Inlet valve float crashed against ceramic wall 3. Filter screen is clogged due to dirty water 4. Improper refill hose installation 	<ol style="list-style-type: none"> 1. Turn on inlet valve switch 2. Adjust inlet valve position 3. Clean the filter screen 4. Install refill hose correctly (see diagram on the right) 	

Safety Instructions



Please read the instructions carefully before installation and keep it available for future maintenance or reference.





Failure to observe this instruction can cause body injury and property damage.


Symbol Illustration

 Warning	Indicates that failure to follow the instruction may cause serious injury or a fatal.
 Caution	Indicates that failure to follow the instruction may cause body injury or property damage.

Symbol Illustration

Symbol	Indication
	Prohibited activities
	Mandatory activities

 Warning	
	Do not throw cigarettes and other burning stuff into toilet, otherwise it might cause fire.
	<p>Never disassemble, repair or modify this product. Doing so may cause fire or electrical shock.</p> <p>Do not wash the main unit or electrical plug with water or detergent. Doing so may cause fire or electrical shock.</p> <p>Do not handle the electrical plug with wet hands. Doing so may cause electrical shock.</p> <p>It is prohibited to use other electric appliances in the same socket. It is forbidden to use the power extension or unstable loose outlet; otherwise it may cause fire or electrical shock.</p> <p>If the supply cord is damaged, it must be replaced by the manufacturer, its service agent or similarly qualified persons in order to avoid a hazard.</p> <p>This product is electric appliance, so it must be placed far away from water. Please don't drench urine and other liquid to it.</p> <p>Do not put a hand or other staff over the outlet of air dryer or block the outlet of air dryer. Doing so may cause burn and electrical shock.</p> <p>Do not lay the product on it's side or upside during the electrical circuit, to avoid fire or burning.</p>
 Mandatory activities	<p>Do not install or use the product in wet places such as steam room etc. This product must be connected to properly grounded power outlet socket.</p> <p>Please make sure the power socket conforms to the national standard (left is null line, and right is live line) .</p>

 Warning



Mandatory activities

This product should be used with 110-120V, 50-60Hz electrical current only, load current is at least 15A. Power plug must be equipped with ground fault circuit interrupter or ground fault electrical leakage protector or similar high sensitive, rapid type leakage switch (Rated sensitive current under 6mA).

It is recommended to use water-proof electrical outlet which should be installed in the place where it is not easily got wet.

An old aging water supply hose can not be used, otherwise it might cause leakage, fire or electrical shock. Installation of the bidet seat should include specified components and new water supply hose.

When moving the product from a cold or wet environment into normal room temperature, wait for 2 hours until the condensation water is fully volatilized. Doing so can prevent the product from electrical short-circuit.

 Caution



When it is in thunders, it is strongly recommended to pull out the power plug.

Do not use the product in the places close to bathtub or water tank.

Do not place the product in water or other liquids.

Do not touch the product that has fallen into liquids, immediately pull out the power plug.

Do not stand on ceramic toilet.

Ceramic toilet must install fixing bolt.

Do not stand on product unit, seat and cover.

Do not use lacquer thinner, petrol, liquid medicine, detergent, insecticide, toilet cleanser and scrubbing brush to clean the product.

Only use tap water or potable water; otherwise it may cause chafing.

Exposure to direct sunlight is prohibited.

This product is equipped with soft-closing seal cover. Heavy pressing or pushing may damage the soft-closing damper.

Do not connect water supply to heater outlet. Make sure inlet water temperature at 3~35 °C.

Do not lean against the seat cover when using the product, to avoid damage.

Stop using the product and shut off the power when product malfunctions, please contact service people for professional service.



Mandatory activities

During installation, disassembly, repair and maintenance of the product, the power plug must be switched off and water supply be shut off.

When the room temperature is under zero degree, please dry up the water tank, to avoid freezing.

When not using the product over three(3) days, drain the water out of the container and pull the electrical plug from the wall outlet.

The appliance is not to be used by persons (including children) with reduced physical, sensory or mental capabilities, or lack of experience and knowledge, unless they have been given supervision or instruction.

Children being supervised not to play with the appliance.

This appliance can be used by children aged from 8 years and above and persons with reduced physical, sensory or mental capabilities or lack of experience and knowledge if they have been given supervision or instruction concerning use of the appliance in a safe way and understand the hazards involved.

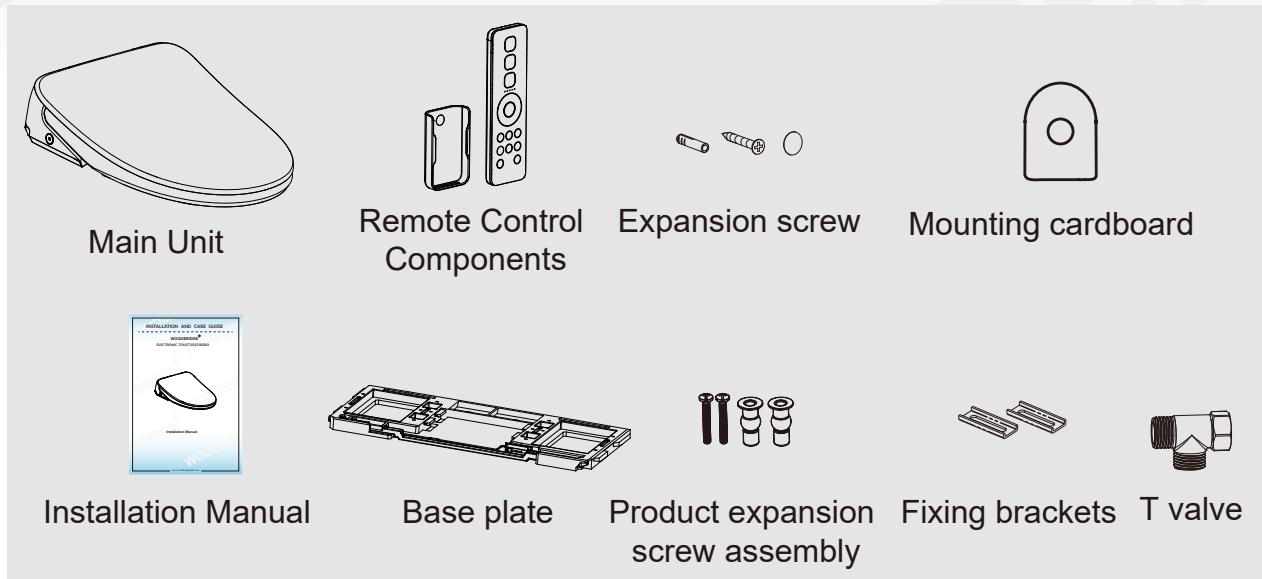
Children shall not play with the appliance.

Cleaning and user maintenance shall not be made by children without supervision.

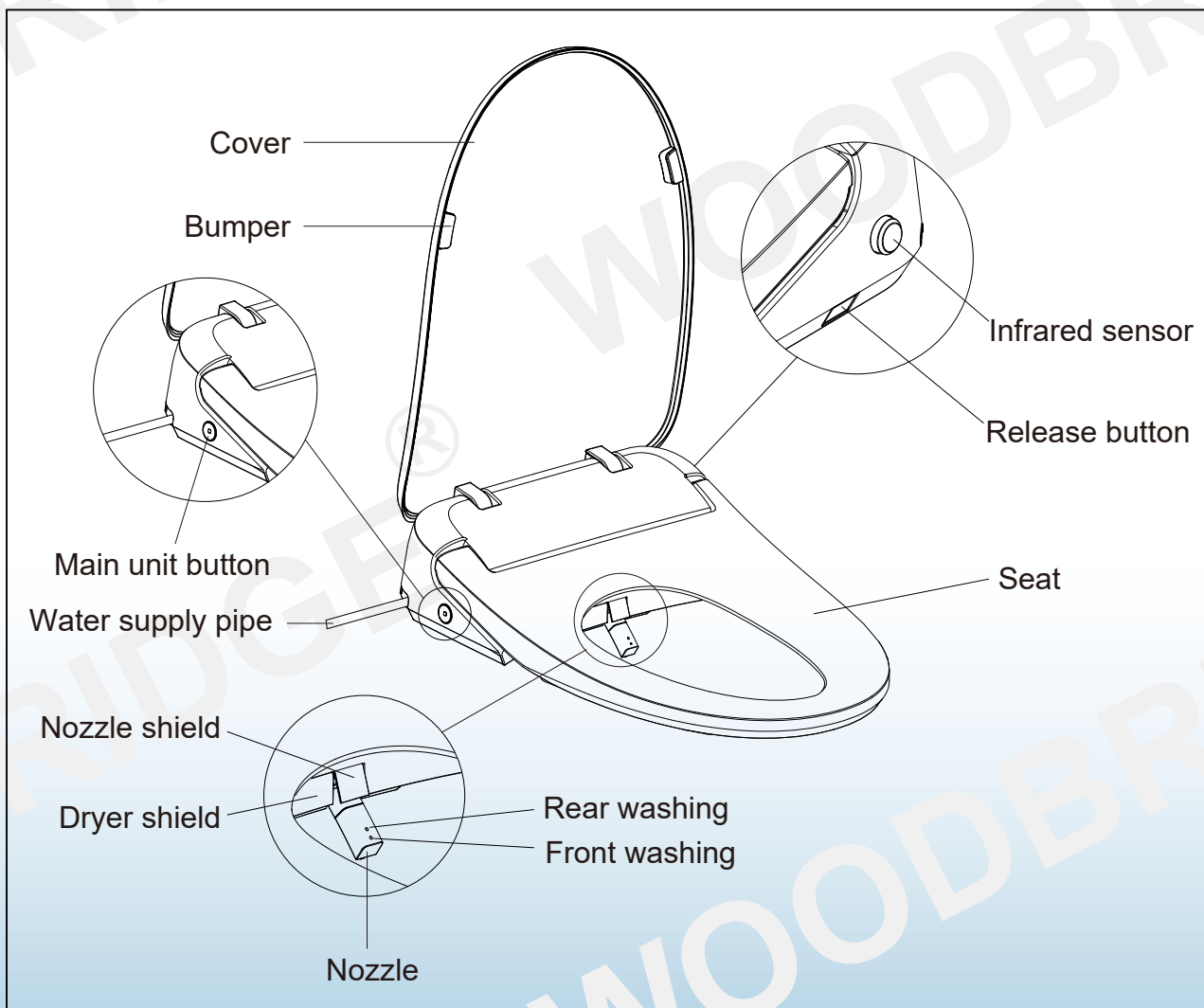
Raise rest room temperature to prevent the toilet from damage due to freezing.

List of materials

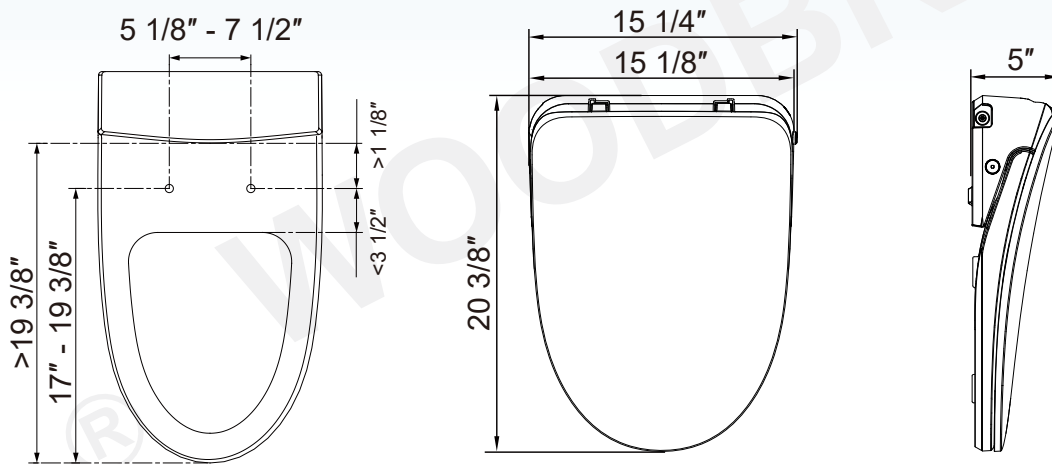
*The pictures are for reference only, please refer to the product for details!



Parts Identification

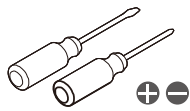


Product Dimension



*Note: Please make sure this seat fits your current toilet.

Installation Tool



Screwdriver



Wrench



Tape measure



Cup

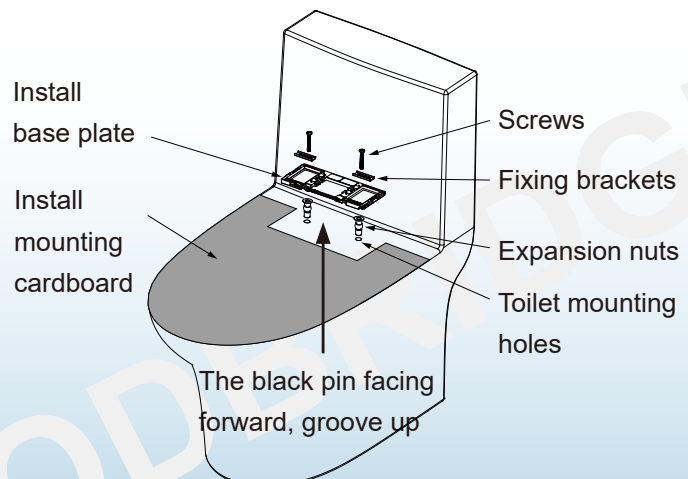
Installation of Main Unit

*This product has been tested for water flow before shipping. Please note that some residual water on the product is normal.

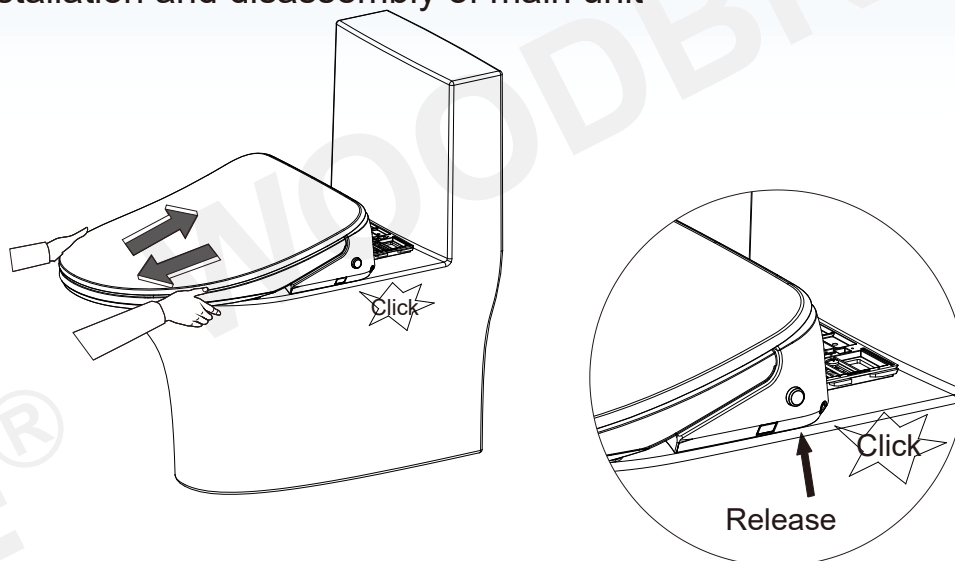
*Do not install this product in a wet place such as a bathroom, and do not place it in a place easily exposed to water.

1. Installation of base plate

Install the expansion nuts into the toilet mounting holes first, and then securely install the base plate, fixing brackets and screws in sequence as shown.



2. Installation and disassembly of main unit

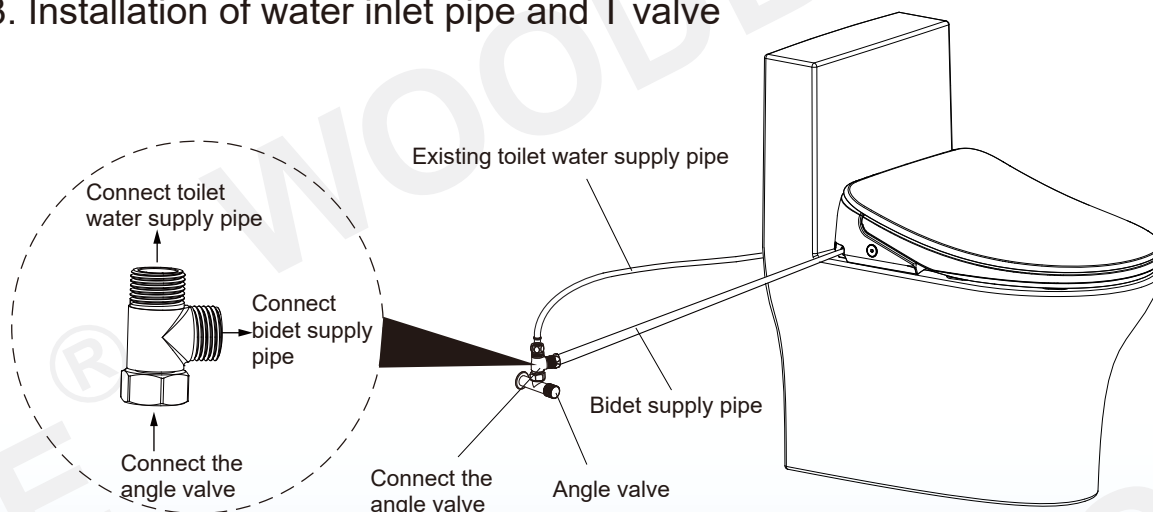


Installation of Main Unit: Push the main unit into the base plate until it locks with a "click" sound.

Disassembly of Main Unit: Press the "Release button", and pull out the main unit when a "click" sound is heard.

* Once the Release Button is pressed, you do not have to hold it during disassembly process.

3. Installation of water inlet pipe and T valve



- ① Connect T valve to angle valve (Remove the existing T valve.);
- ② Connect toilet water supply pipe to T valve as shown above;
- ③ Connect bidet water supply pipe to T valve as shown above.

Note:

Do not distort or damage the supply hose to avoid any leakage.

Do not use water supply hose and other accessories of other brands, which may cause danger.

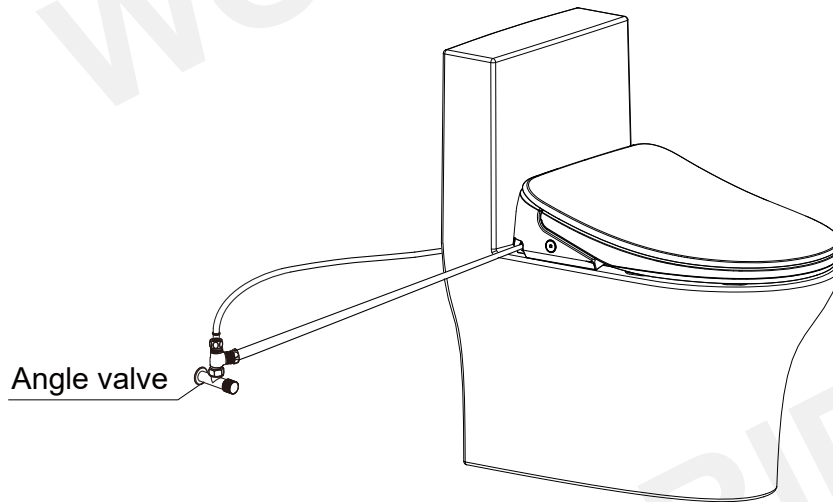
Do not recommend to use our old water supply hose and accessories, which may cause danger.

Preparation

1. Turn on the angle valve

Check the threaded connection for leaks to ensure complete sealing. Turn the angle valve counterclockwise to the full open position.

(Note: The angle valve opens with a large torque for the first time.)



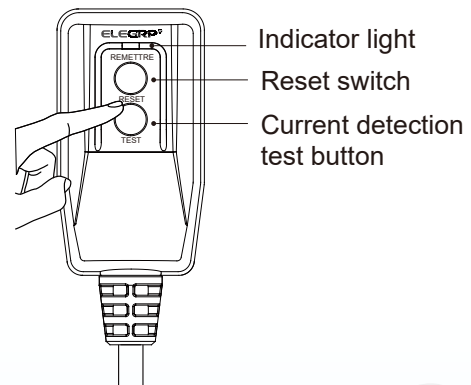
2. Power Connection

Insert the leakage protection plug into a power socket, press the reset switch, plug indicator lights up, indicating that the power is on.

Note:

Press the test button prior to usage, the reset switch pops up and the indicator light goes off, indicating that the leakage protection function is normal.

Press the TEST button (then RESET button) every month to assure proper operation.



* Only for models with leakage protection plug.

* Please refer to the actual product.

3. Self-inspection

1. Once power is connected, the buzzer beeps once. The white light on knob (button) flashes, and the self-inspection starts.

2. The buzzer beeps again, then the self-inspection completes, and the knob (button) lights up in white.

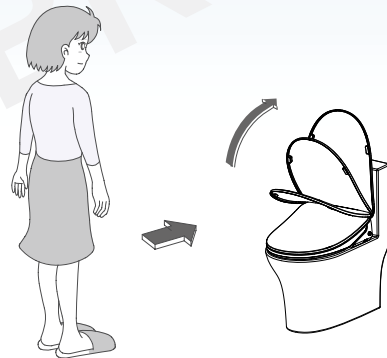
3. The product is ready to use.

Auto lid open/close

If you purchase the intelligent toilet with auto lid open/close function, the product can achieve the function of auto lid open/close.

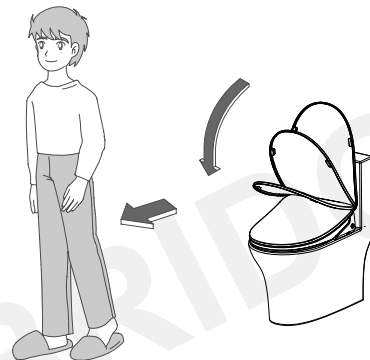
1. Approaching the toilet

When user enters the sensing range, the seat lid opens automatically.



2. Leaving the toilet

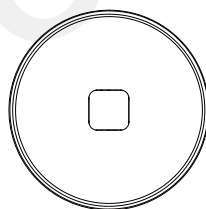
The seat lid closes automatically 180 seconds after user leaves.



3. Standing up to urinate

1. Open the seat by remote control or hand.
2. The seat and lid close automatically 180 seconds after user leaves.

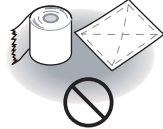
Button User Guide



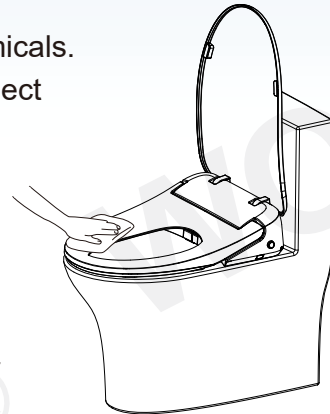
1. When not seated, short press the button and the spray wand will automatically extend for cleaning.
2. When the human body is seated, short press the button to start the one button rear wash function: rear wash → drying → automatic stop drying.
3. When the human body is seated, press and hold the button to start the one button front wash function: front wash → drying → automatic stop drying.
4. When the rear wash, front wash and drying functions are turned on, short press the button to immediately stop the current function.
5. When not seated, press and hold the button to enter standby mode. Short press the button in standby mode to enter function mode;
Function mode-When the product is working, the button indicator light is on; When no one is using it, the button indicator light will turn off after a period of time. If any function is used again, the button indicator light will return to display.
Standby mode-button indicator light will turn off

Maintenance of Main Unit

1. Shut off power supply before doing maintenance.
2. Use only a soft, damp cloth to clean. Avoid using harsh chemicals.
3. Once cleaning is completed and all surfaces are dry, re-connect the power plug.



Neutral cleaner

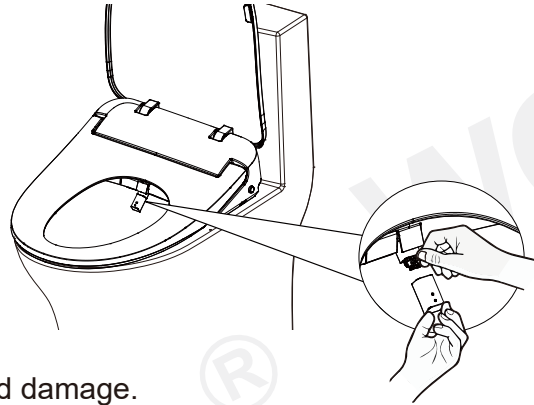
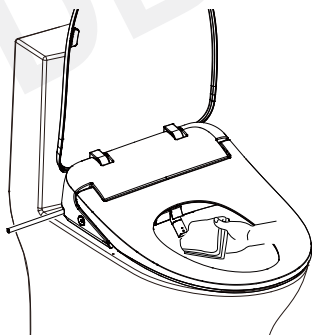


Note: Do not rinse the surface of the product directly with water during maintenance.

Nozzle Maintenance

When there is dirt on the nozzle, maintain it according to the following methods:

1. When no one is seated, turn the knob clockwise (press Rear Washing Button). The nozzle will automatically stretch out to allow access for cleaning.
2. Nozzle can be removed and cleaned separately. (Hold the spray wand with one hand and pull the nozzle out with the other hand)
3. Put the nozzle back on and press the "Stop" button on the main unit or remote control to return the spray wand to its normal position.



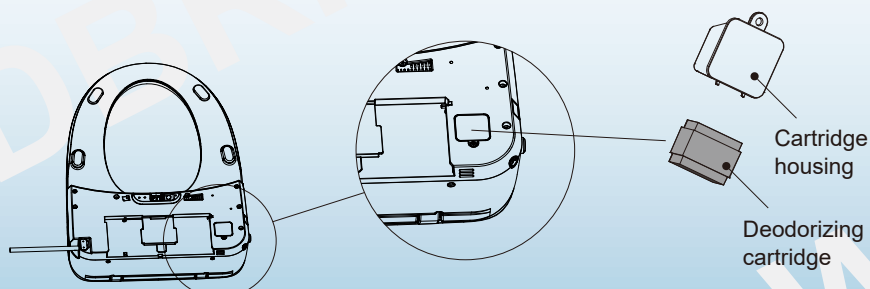
Note: Do not pull or push the wand, to avoid damage.

Deodorizing Device Maintenance

Remove the screws from the underside of unit as shown below to access the deodorizing cartridge.

*Replacement of the deodorizing cartridge is recommended every 3 years (the specific life span depends on the environment).

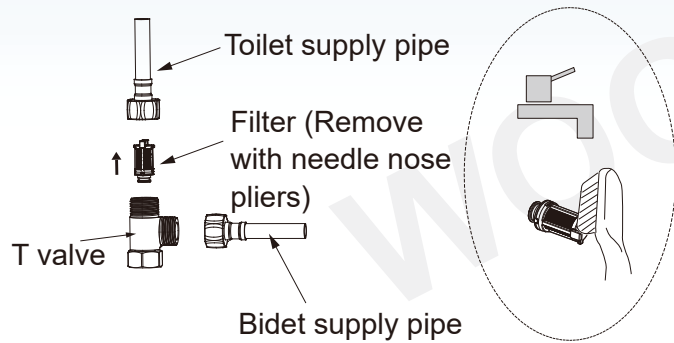
*Please purchase deodorizing cartridge from the official online stores.



3-way filter maintenance

If poor spray performance occurs under normal conditions:

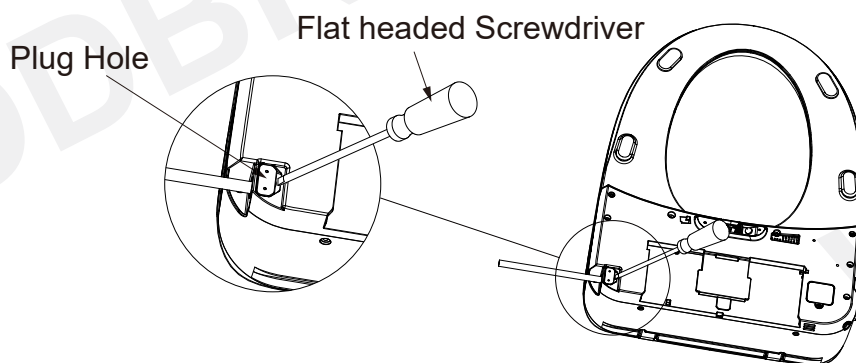
1. Turn off the angle valve.
2. Disconnect the water supply pipes from angle valve.
3. Take out filter and filter washer.
4. Clean out the filter under running water using a toothbrush.
5. Reinstall filter and filter washer, then re-connect water supply pipes.



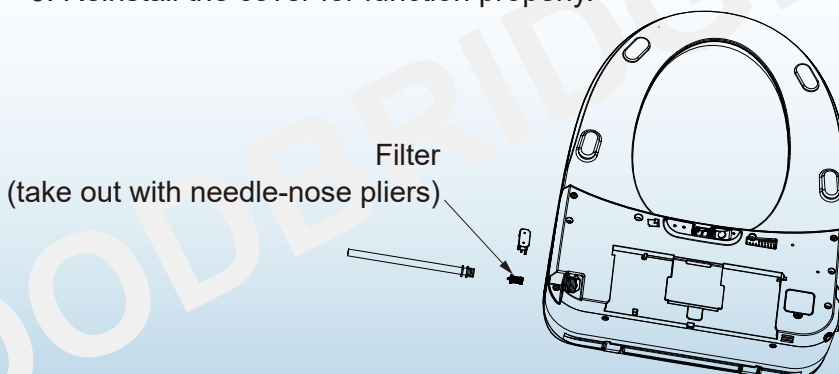
Product filter maintenance

Product filter maintenance

1. Plug off the power cord, switch off the angle valve, remove the cover, and place the cover upside down.
2. Use a screwdriver (flat headed) to insert the position of the plug hole shown in the figure, and then lift out the plug to remove it.




3. Remove the water inlet pipe from the product.
4. Use needle-nose pliers to remove the filter screen from the water inlet. Clean dirt with a toothbrush or small brush.
5. After cleaning, install the filter back into the water inlet, connect the water inlet pipe, and replace the plug.
6. Reinstall the cover for function properly.



Reminder: During cleaning, do not lose or damage the filter components and the sealing ring on the filter screen connector, otherwise it may cause water leakage.

Main Unit	Rated voltage	110V-120V, 50-60Hz
	Rated power	900W
	Water pressure range	0.08MPa - 0.8MPa (Static pressure)
	Power cord length	About 1.2m
Cleaning device	Heating power	1400W(120V)
	Water temperature	6-level adjustment
	Water volume	5-level adjustment
	Cleaning mode	Rear wash/moving wash, front wash/moving wash, child wash/moving wash
	Nozzle position	5-level adjustment
	Water pressure protector	Pressure maintaining device, Automatic pressure relief device
	Anti-fouling device	Anti-syphon device, Anti-backflow device, Filter device
	Safety device	Water temperature sensor, Dry heating protection, Thermostat, Thermal fuse, Ground protection, Leakage protection, Anti-freezing and anti-cracking device
Drying device	Warm air volume	Over 0.2m ³ /min
	Warm air temperature	6-level adjustment
	Heating power	180W
	Safety device	Over-heating protection, Thermal fuse
Heated seat	Surface temperature	6-level adjustment
	Heating power	50W
	Burn protection	After 10 minutes of use, the seat temperature will automatically drop slowly to a low level
	Safety device	Seat sensor, Temperature sensor, Bimetallic thermostat, Thermal fuse
Deodorization	Deodorization method	Photocatalyst-free
Caring device	Night light assembly	Smart, Always on, Always off
	Noise-free setting	The buzzer is off at night for a quite environment.
	User ID setting	To avoid interference when used by multiple users
	Auto-open lid function	Auto-open lid function can be realized
Antibacterial site		Seat, Nozzle

Problem	Cause	Solution
No water from nozzle	Water supply hose is kinked	Straighten the hose to remove the kink
	Angle valve is off	Turn on the angle valve
	A water failure occurred	Restore the water supply
Restore the water supply	Water supply hose is kinked	Straighten the hose to remove the kink
	Angle valve is not fully turned on	Turn on the angle valve fully
	Filter is clogged	Clean the filter
Low water temperature	The water temperature is not set properly	Adjust the water temperature
Low seat temperature	The seat temperature is not set properly	Adjust the seat temperature
	In standby mode	Switch to functional mode and wait for 3+ minutes
Low dryer temperature	The dryer temperature is not set properly	Adjust the dryer temperature
Dryer not blowing	In standby mode	Switch to functional mode to use dry function.
Spray wand cannot retract	Power off	Push back the spray wand gently and put power on
	Get stuck by impurities	Remove the impurities
Spray wand cannot stretch out	Power off	Turn on the power
	User is not within the sensing area of the seat	Adjust position on seat to activate the sensor
Malfunction of deodorization	User is not within the sensing area of the seat	Adjust position on seat to activate the sensor
	Deodorization function continues after user leaves	It is normal for the deodorizing function to continue operating after user leaves, for complete odor removal.
 Caution	If the problem cannot be resolved as per above solutions, please disconnect the power and contact service providers.	
	If the power leakage protection switch always trips, it means that the product is leaking. Please disconnect the power and contact service providers.	

Model No.		Customer Name	
Seller		Purchasing Date	
Invoice No.		Customer Contact	
Distributor Stamp		Distributor Phone	

Thank you for choosing our product. This product is warranted for a 1 year limited warranty since the purchasing date for free repair of problems arising out of defects in workmanship while using in accordance with installation manual and usage cautions for intended purposes.

If the product does not work properly within the warranty period, please contact Woodbridge via email.

Our company reserves the rights to replace the product by other similar models.

Product Warranty will be voided by any of the following events (including but without limitation).

1. The user's negligence or mistake in operation, unreasonable repair or alteration.
2. Product are damaged by negligence or mistake during installation.
3. The movement of installation location of the product.
4. Using the product outside of intended use in residential housing or commercial hotels.
5. The use of non specified power supply (voltage, rating pressure)
6. The dirt, sand and impurities that causing invalid operation.
7. Damages due to force majeure (including but not limitation to natural disaster) or other incidents.
8. The user fails to use in compliance with the warning or caution described in the installation manual.

Remark:

Please fill in date, seller correctly. If there are some mistakes, the warranty will get invalid.

This three year warranty for free of charge of repair service is only for the items listed in the warranty.

The purchasing date is subject to the purchasing invoice or receipt.

Please keep this warranty and invoice/receipt available for repair or maintenance.

Retain these installation instructions for future reference!

Thank you for using WoodBridge products!

Customer Service Phone: 562-229-0088. (Monday - Friday 9 AM - 5 PM Pacific Time)

Or Email: help@woodbridgebath.com